

IVM 40/24-2 H ACD

The IVM 40/24-2 H ACD dual-engine, mobile and robust mid-range industrial vacuum cleaner impresses when it comes to picking up fine and coarse combustible types of dust.



Order no. **9.990-224.0**

- ACD - Applied for Combustible Dust

Technical data

EAN code		4054278955803
Power supply	Ph / V / Hz	1 / 220 - 240 / 50 - 60
Air flow	l/s	106
Vacuum	mbar	225
Container capacity	l	40
Container material		Stainless steel
Rated input power	kW	2.3
Vacuuming type		Electric
Connection nominal diameter		DN 70
Accessory nominal diameter		DN 50 / DN 40
Sound pressure level	dB(A)	77
Main filter dust class		M
Filter area for main filter	m ²	1.6
Secondary filter dust class		H
Filter area for secondary filter	m ²	1.6
Weight without accessories	kg	36
Weight incl. packaging	kg	40
Dimensions (L × W × H)	mm	645 × 655 × 1150

This machine requires instruction.

Equipment

Main filter	Star filter
Secondary filter	Cartridge filter
Accessories included in the scope of delivery	no
Container emptying	Set-down trolley

- Included in the scope of supply.



ACD - Applied for Combustible Dust

- For the safe and economical vacuuming of combustible dusts.
- Conforms to the IEC 60335-2-69 standard.



Dust class H

- Overall device certified according to DIN EN 60335-2-69 for dust class H.
- For safely picking up solids and dusts up to dust class H.

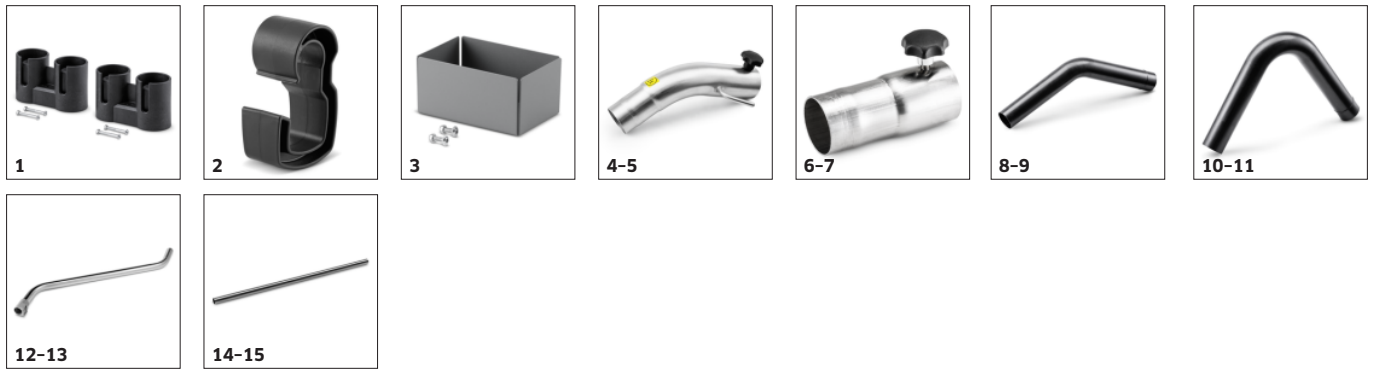


Manual pull-and-clean filter cleaning

- Filter is cleaned in a single step during operation.
- Low-wear dedusting by means of air reversal.

ACCESSORIES FOR IVM 40/24-2 H ACD

9.990-224.0

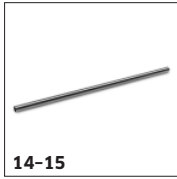


	Order no.	Description	
OTHER ACCESSORIES			
Accessories holder completely	1 9.991-147.0		<input checked="" type="checkbox"/>
Power cable storage compartment	2 5.037-240.0	The power cord is stored on a hook attached to the tubular frame. The practical cord hook is suitable for a pipe diameter of 30 to 32 mm.	<input checked="" type="checkbox"/>
Accessories box completely	3 9.991-046.0		<input type="checkbox"/>
HANDLES			
Handle stainless steel AISI 304 DN40	4 9.989-896.0		<input type="checkbox"/>
Handle stainless steel AISI 304 DN50	5 9.989-897.0		<input type="checkbox"/>
Handle straight stainless steel AISI 304 DN40	6 9.989-898.0		<input type="checkbox"/>
Handle straight stainless steel AISI 304 DN50	7 9.989-899.0		<input type="checkbox"/>
Handle carbon 45° DN-F40	8 9.989-916.0		<input type="checkbox"/>
Handle carbon 45° DN-F50	9 9.989-917.0		<input type="checkbox"/>
Handle carbon 110° DN-F40	10 9.989-918.0		<input type="checkbox"/>
Handle carbon 110° DN-F50	11 9.989-919.0		<input type="checkbox"/>
SUCTION TUBES			
Suction tube stainless steel AISI 304 DN40	12 9.989-912.0		<input type="checkbox"/>
Suction tube stainless steel AISI 304 DN50	13 9.989-913.0		<input type="checkbox"/>
Suction tube carbon 1500 mm DN-F40 conical	14 9.989-920.0		<input type="checkbox"/>

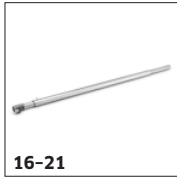
■ Included in the scope of supply. □ Available accessories.

ACCESSORIES FOR IVM 40/24-2 H ACD

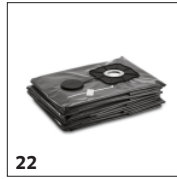
9.990-224.0



14-15



16-21



22



23-24



25-26



27-28

		Order no.	Description	
SUCTION TUBES				
Suction tube carbon 1500 mm DN-F50 conical	15	9.989-921.0		<input type="checkbox"/>
Suction tube aluminium high temperature 1000 mm DN-F40	16	9.989-928.0		<input type="checkbox"/>
Suction tube aluminium high temperature 1000 mm DN-F50	17	9.989-929.0		<input type="checkbox"/>
Suction tube aluminium high temperature 2000 mm DN-F40	18	9.989-930.0		<input type="checkbox"/>
Suction tube aluminium high temperature 2000 mm DN-F50	19	9.989-931.0		<input type="checkbox"/>
Suction tube aluminium high temperature 3000 mm DN-F40	20	9.989-932.0		<input type="checkbox"/>
Suction tube aluminium high temperature 3000 mm DN-F50	21	9.989-933.0		<input type="checkbox"/>
FILTER T/ NT				
Safety filter sets/bags				
Safety filter bag, 5 Piece(s), NT 75/1	22	6.904-420.0	For dust-free/low-dust emptying in conjunction with the 4.070-930.0 container, with dust disposal bag, electrically conductive. Checked and approved for dust class H.	<input type="checkbox"/>
ACCESSORY SETS				
Accessory kit for solids/dust				
Oven cleaning accessory kit Expert DN 50	23	9.989-938.0	Accessory kit for oven cleaning: ME hose 3 m (9.989-979.0), handle (9.989-899.0), suction tube (9.989-929.0), floor nozzle (9.989-935.0), reducer (9.989-712.0), adapter (9.993-011.0).	<input type="checkbox"/>
Oven cleaning accessory kit Expert DN 40	24	9.989-939.0	Accessory kit for oven cleaning: ME hose 3 m (9.989-976.0), handle (9.989-898.0), suction tube (9.989-928.0), floor nozzle (9.989-934.0), reducer (9.989-713.0), adapter (9.993-012.0).	<input type="checkbox"/>
Food accessory kit Expert DN 40	25	9.989-940.0	Food accessory kit DN 40: PU hose 3 m (9.989-970.0), handle (9.989-898.0), standard nozzle (9.989-838.0), brush (9.989-879.0), reducer (9.989-713.0), adapter (9.993-012.0).	<input type="checkbox"/>
Food accessory kit Expert DN 50	26	9.989-941.0	Food accessory kit: PU hose 3 m (9.989-973.0), handle (9.989-899.0), standard nozzle (9.989-844.0), brush (9.989-880.0), reducer (9.989-712.0), adapter (9.993-011.0).	<input type="checkbox"/>
Accessory kit for overhead cleaning Expert DN 40	27	9.989-942.0	Accessory kit DN 40 for overhead cleaning: suction tubes (9.989-920.0/9.993-008.0), handles (9.989-916.0/9.989-918.0), standard nozzle (9.989-838.0), brush (9.989-879.0), adapter (9.993-012.0).	<input type="checkbox"/>
Accessory kit for overhead cleaning DN 50 Expert	28	9.989-943.0	Accessory kit DN 50 for overhead cleaning: suction tubes (9.989-921.0/9.993-009.0), handles (9.989-917.0/9.989-919.0), standard nozzle (9.989-844.0), brush (9.989-880.0), adapter (9.993-011.0).	<input type="checkbox"/>

■ Included in the scope of supply. □ Available accessories.

ACCESSORIES FOR IVM 40/24-2 H ACD

9.990-224.0



		Order no.	Description	
ACCESSORY SETS				
Accessory kit for solids/dust				
Professional dry floor cleaning set DN40	29	9.990-877.0	Professional dry floor cleaning set: adapter (9.990-874.0), hose (2.889-141.0), bend (2.889-172.0), 2 × suction tube (2.889-194.0), 3 × nozzles (6.906-958.0, 6.903-033.0, 6.902-105.0).	<input type="checkbox"/>
Advanced dry floor cleaning set DN40	30	9.990-893.0	Advanced dry floor cleaning set: EVA hose (9.990-923.0), handle (9.990-929.0), 2 × suction tube (9.990-933.0), floor nozzle (9.990-935.0), standard nozzle (9.980-773.0).	<input type="checkbox"/>
Advanced dry floor cleaning set DN50	31	9.990-894.0	Advanced dry floor cleaning set: EVA hose (9.990-924.0), handle (9.990-930.0), 2 × suction tube (9.990-934.0), floor nozzle (9.990-936.0), standard nozzle (9.980-761.0).	<input type="checkbox"/>
Accessories kit furnace Expert DN35	32	9.991-106.0	Accessory kit for oven cleaning: ME hose 3 m (9.989-976.0), handle (9.989-898.0), suction tube (9.989-928.0), floor nozzle (9.989-934.0), reducer (9.989-713.0), adapter (9.993-012.0).	<input type="checkbox"/>
NOZZLES				
Standard nozzles				
Standard nozzle silicone FDA blue DN-F40	33	9.989-835.0		<input type="checkbox"/>
Standard nozzle silicone FDA green DN-F40	34	9.989-836.0		<input type="checkbox"/>
Standard nozzle silicone FDA red DN-F40	35	9.989-837.0		<input type="checkbox"/>
Standard nozzle silicone FDA transparent DN-F40	36	9.989-838.0		<input type="checkbox"/>
Standard nozzle silicone FDA white DN-F40	37	9.989-839.0		<input type="checkbox"/>
Standard nozzle silicone FDA yellow DN-F40	38	9.989-840.0		<input type="checkbox"/>
Standard nozzle silicone FDA blue DN-F50	39	9.989-841.0		<input type="checkbox"/>
Standard nozzle silicone FDA green DN-F50	40	9.989-842.0		<input type="checkbox"/>
Standard nozzle silicone FDA red DN-F50	41	9.989-843.0		<input type="checkbox"/>
Standard nozzle silicone FDA transparent DN-F50	42	9.989-844.0		<input type="checkbox"/>

■ Included in the scope of supply. □ Available accessories.

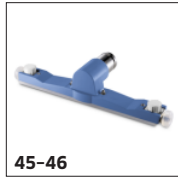
ACCESSORIES FOR IVM 40/24-2 H ACD 9.990-224.0



37, 43



38, 44



45-46



47-48



49-50



51-52



53-54



55-56

	Order no.	Description	
NOZZLES			
Standard nozzles			
Standard nozzle silicone FDA white DN-F50	43	9.989-845.0	<input type="checkbox"/>
Standard nozzle silicone FDA yellow DN-F50	44	9.989-846.0	<input type="checkbox"/>
Floor nozzles			
Floor nozzle stainless steel AISI 304 DN-F40 blue	45	9.989-861.0	<input type="checkbox"/>
Floor nozzle stainless steel AISI 316L DN-F50 blue	46	9.989-862.0	<input type="checkbox"/>
Floor nozzle stainless steel AISI 316L DN-F40 green	47	9.989-863.0	<input type="checkbox"/>
Floor nozzle stainless steel AISI 316L DN-F50 green	48	9.989-864.0	<input type="checkbox"/>
Floor nozzle stainless steel AISI 316L DN-F40 red	49	9.989-865.0	<input type="checkbox"/>
Floor nozzle stainless steel AISI 316L DN-F50 red	50	9.989-866.0	<input type="checkbox"/>
Floor nozzle stainless steel AISI 316L DN-F40 transparent	51	9.989-867.0	<input type="checkbox"/>
Floor nozzle stainless steel AISI 316L DN-F50 transparent	52	9.989-868.0	<input type="checkbox"/>
Floor nozzle stainless steel AISI 316L DN-F40 white	53	9.989-869.0	<input type="checkbox"/>
Floor nozzle stainless steel AISI 316L DN-F50 white	54	9.989-870.0	<input type="checkbox"/>
Floor nozzle stainless steel AISI 316L DN-F40 yellow	55	9.989-871.0	<input type="checkbox"/>
Floor nozzle stainless steel AISI 316L DN-F50 yellow	56	9.989-872.0	<input type="checkbox"/>

Available accessories.

ACCESSORIES FOR IVM 40/24-2 H ACD

9.990-224.0



57-58



59-60



61-62



63



64-65



66-67



68-69



70-71

	Order no.	Description	
NOZZLES			
Floor nozzles			
Floor nozzle stainless steel AISI 316L DN-F40	57	9.989-914.0	<input type="checkbox"/>
Floor nozzle stainless steel AISI 316L DN-F50	58	9.989-915.0	<input type="checkbox"/>
Floor nozzle stainless steel 400 mm DN-F40	59	9.989-934.0	<input type="checkbox"/>
Floor nozzle stainless steel 400 mm DN-F50	60	9.989-935.0	<input type="checkbox"/>
Floor nozzle aluminium 400 mm DN-F40	61	9.989-936.0	<input type="checkbox"/>
Floor nozzle aluminium 400 mm DN-F50	62	9.989-937.0	<input type="checkbox"/>
Wide nozzles			
Lane nozzle set	63	9.991-032.0	<input type="checkbox"/>
Flexible crevice nozzles			
Crevice nozzle flexible silicone FDA DN-F50 transparent	64	9.989-847.0	<input type="checkbox"/>
Crevice nozzle flexible silicone FDA DN-F40 transparent	65	9.989-848.0	<input type="checkbox"/>
Surface nozzles			
Silicone surface nozzle FDA blue DN-F40	66	9.989-849.0	<input type="checkbox"/>
Silicone surface nozzle FDA blue DN-F50	67	9.989-850.0	<input type="checkbox"/>
Silicone surface nozzle FDA green DN-F40	68	9.989-851.0	<input type="checkbox"/>
Silicone surface nozzle FDA green DN-F50	69	9.989-852.0	<input type="checkbox"/>
Silicone surface nozzle FDA red DN-F40	70	9.989-853.0	<input type="checkbox"/>

Available accessories.

ACCESSORIES FOR IVM 40/24-2 H ACD

9.990-224.0



70-71



72-73



74-75



76-77



78-79



80-81



82-83



84-85

	Order no.	Description	
NOZZLES			
Surface nozzles			
Silicone surface nozzle FDA red DN-F50	71	9.989-854.0	<input type="checkbox"/>
Silicone surface nozzle FDA transparent DN-F40	72	9.989-855.0	<input type="checkbox"/>
Silicone surface nozzle FDA transparent DN-F50	73	9.989-856.0	<input type="checkbox"/>
Silicone surface nozzle FDA white DN-F40	74	9.989-857.0	<input type="checkbox"/>
Silicone surface nozzle FDA white DN-F50	75	9.989-858.0	<input type="checkbox"/>
Silicone surface nozzle FDA yellow DN-F40	76	9.989-859.0	<input type="checkbox"/>
Silicone surface nozzle FDA yellow DN-F50	77	9.989-860.0	<input type="checkbox"/>
BRUSHES			
End brushes			
Brush FDA blue ø 75 mm DN-F40	78	9.989-873.0	<input type="checkbox"/>
Brush FDA blue ø 75 mm DN-F50	79	9.989-874.0	<input type="checkbox"/>
Brush FDA green ø 75 mm DN-F40	80	9.989-875.0	<input type="checkbox"/>
Brush FDA green ø 75 mm DN-F50	81	9.989-876.0	<input type="checkbox"/>
Brush FDA red ø 75 mm DN-F40	82	9.989-877.0	<input type="checkbox"/>
Brush FDA red ø 75 mm DN-F50	83	9.989-878.0	<input type="checkbox"/>
Brush FDA white ø 75 mm DN-F40	84	9.989-879.0	<input type="checkbox"/>

Available accessories.

ACCESSORIES FOR IVM 40/24-2 H ACD

9.990-224.0



84-85



86-87



88-91



92-96



97-100

	Order no.	Description	
BRUSHES			
End brushes			
Brush FDA white ø 75 mm DN-F50	85	9.989-880.0	<input type="checkbox"/>
Brush FDA yellow ø 75 mm DN-F40	86	9.989-881.0	<input type="checkbox"/>
Brush FDA yellow ø 75 mm DN-F50	87	9.989-882.0	<input type="checkbox"/>
Cylinder brushes			
Cylinder brush ø 100 mm DN-F40	88	9.989-922.0	<input type="checkbox"/>
Cylinder brush ø 200 mm DN-F40	89	9.989-923.0	<input type="checkbox"/>
Cylinder brush ø 100 mm DN-F50	90	9.989-925.0	<input type="checkbox"/>
Cylinder brush ø 200 mm DN-F50	91	9.989-926.0	<input type="checkbox"/>
HOSES			
ME-Schläuche			
Hose ME DN40 3 m	92	9.989-976.0	<input type="checkbox"/>
Hose ME DN40 5 m	93	9.989-977.0	<input type="checkbox"/>
Hose without connection ME DN40 15 m	94	9.989-978.0	<input type="checkbox"/>
Hose ME DN50 3 m	95	9.989-979.0	<input type="checkbox"/>
Hose ME DN50 5 m	96	9.989-980.0	<input type="checkbox"/>
PVC			
Hose PVC DN40 3 m	97	9.989-962.0	<input type="checkbox"/>
Hose PVC DN40 5 m	98	9.989-963.0	<input type="checkbox"/>

Available accessories.

ACCESSORIES FOR IVM 40/24-2 H ACD

9.990-224.0



97-100



101-102, 104



103



105-106



107-110

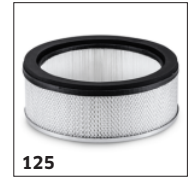


111-115

	Order no.	Description	
HOSES			
PVC			
Hose PVC DN50 3 m	99	9.989-964.0	<input type="checkbox"/>
Hose PVC DN50 5 m	100	9.989-965.0	<input type="checkbox"/>
EVA hoses			
Hose EVA DN40 3 m	101	9.989-982.0	<input type="checkbox"/>
Hose EVA DN40 5 m	102	9.989-983.0	<input type="checkbox"/>
Hose EVA DN50 3 m	103	9.989-984.0	<input type="checkbox"/>
Hose EVA DN50 5 m	104	9.989-985.0	<input type="checkbox"/>
Hose installation sets			
Hose connection kit, stainless steel AISI 304 DN40	105	9.989-986.0	<input type="checkbox"/>
Hose connection kit in nominal width DN 40, made of stainless steel. Contents: 1 hose connection piece, 1 hose connection (rotating), 2 hose clamps, 2 hose end pieces (black), 1 flat bag (PE plastic).			
Hose connection kit, stainless steel AISI 304 DN50	106	9.989-987.0	<input type="checkbox"/>
Hose connection kit in nominal width DN 50, made of stainless steel. Contents: 1 hose connection piece, 1 hose connection (rotating), 2 hose clamps, 2 hose end pieces (black), 1 flat bag (PE plastic).			
PU hoses			
Hose PU DN40 3 m	107	9.989-966.0	<input type="checkbox"/>
Hose PU DN40 5 m	108	9.989-967.0	<input type="checkbox"/>
Hose PU DN50 3 m	109	9.989-968.0	<input type="checkbox"/>
Hose PU DN50 5 m	110	9.989-969.0	<input type="checkbox"/>
Hose PU FDA DN40 3 m	111	9.989-970.0	<input type="checkbox"/>
Hose PU FDA DN40 5 m	112	9.989-971.0	<input type="checkbox"/>

Available accessories.

ACCESSORIES FOR IVM 40/24-2 H ACD 9.990-224.0



	Order no.	Description	
HOSES			
PU hoses			
Hose PU FDA DN40 15 m	113	9.989-972.0	<input type="checkbox"/>
Hose PU FDA DN50 3 m	114	9.989-973.0	<input type="checkbox"/>
Hose PU FDA DN50 5 m	115	9.989-974.0	<input type="checkbox"/>
Hose PU FDA DN50 15 m	116	9.989-975.0	<input type="checkbox"/>
ME-PU-hoses			
Hose without connection ME DN50 15 m	117	9.989-981.0	<input type="checkbox"/>
ADAPTERS / REDUCERS / DISTRIBUTORS			
Accessories adapter			
Adapter DN70 auf Bajonett 2.0 elektr. leitend	118	9.990-874.0	<input type="checkbox"/>
Reducers/expanders			
Reducer in AISI 304 stainless steel DN50 to DN40	119	9.989-893.0	<input type="checkbox"/>
Stainless steel reducer DN 70 to DN 50	120	9.989-712.0	<input type="checkbox"/>
Stainless steel reducer DN 70 to DN 40	121	9.989-713.0	<input type="checkbox"/>
Distributor			
AISI 304 stainless steel manifold DN70 to DN50	122	9.989-894.0	<input type="checkbox"/>
AISI 304 stainless steel manifold DN70 to DN40	123	9.989-895.0	<input type="checkbox"/>
FILTERS			
Bag/star filter			
Star filter PE/PTFE el. M 1,6m²	124	9.990-222.0	<input type="checkbox"/>
Cartridge filter			
Cartridge filter PE H14 1,6m²	125	9.993-005.0	<input type="checkbox"/>

Available accessories.