

87545-4111LF - Modular Jack
: Cat 3 Single, Vertical,
Surface Mount, 6 Positions, 1
Port



www.fci.com

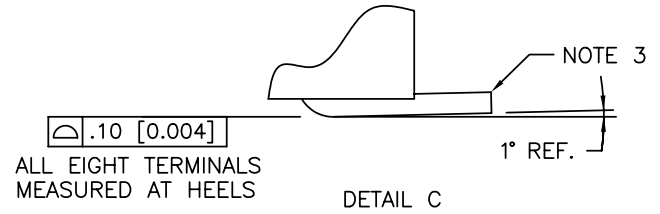
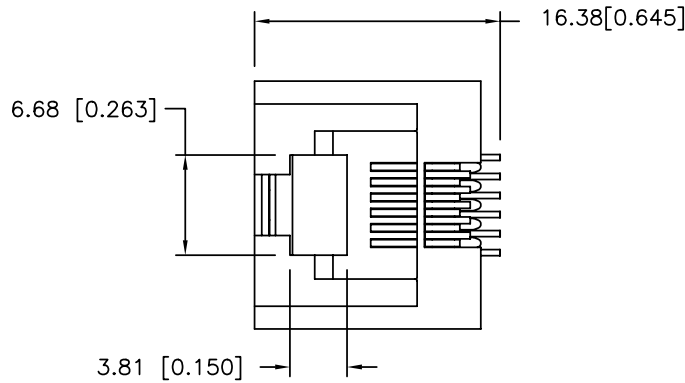
Specifications

General	
Keyed	No
Location Peg	Surface Mount Peg
# Contacts/ Port	6
Number of Ports	1
Orientation	Vertical
Panel Stops	Yes
Performance Category	Cat 3
Product Style	Single
Shield (Style)	None
Shielded	No
Positions Loaded	All
Mating half	Mates with Modular Plugs conforming to FCC Part 68, Subpart F
Series Number	87545
Dimensional	
Height (Above board)	Standard
Electrical	
Attenuation	0.4 dB max. at 16 MHz
Crosstalk loss	-34 dB at 16 Mhz
Current rating	+30°C with all Contacts Powered at 1A
Resistance (Contact)	20 milli ohms max. per EIA 364-23
Resistance (Insulation)	500 M-ohms min.
Return Loss	0.07 max. to 20 Mhz, 0.2 max. to 100 Mhz
Voltage rating	1000 volts Signal to Signal AC or DC
Mechanical	
Durability (Mating cycles)	250 Cycles
Mating force	20N max.
Retention force	22.5N (5 lbf)
Mounting	
Mounting style	Surface Mount
Solder process	Wave

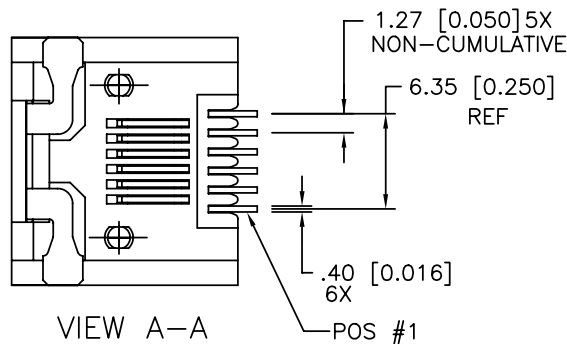
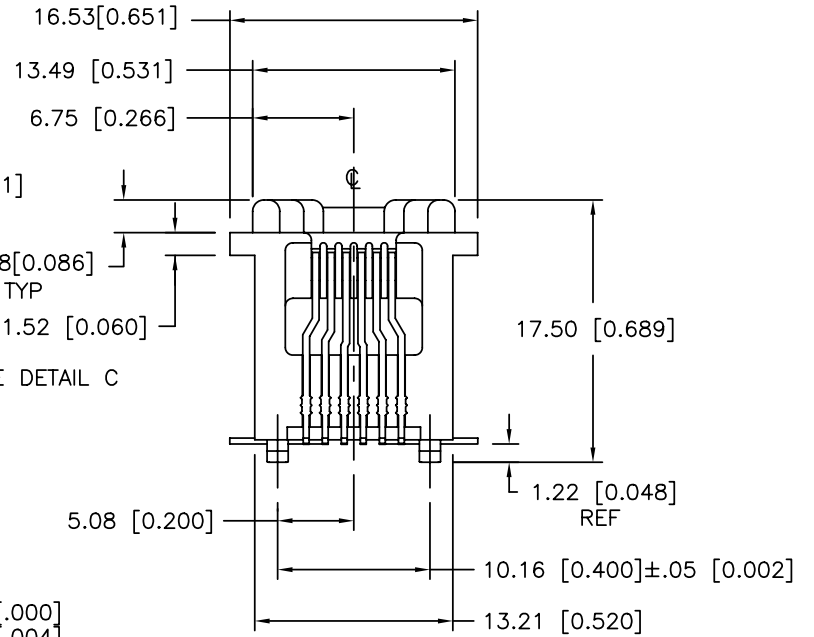
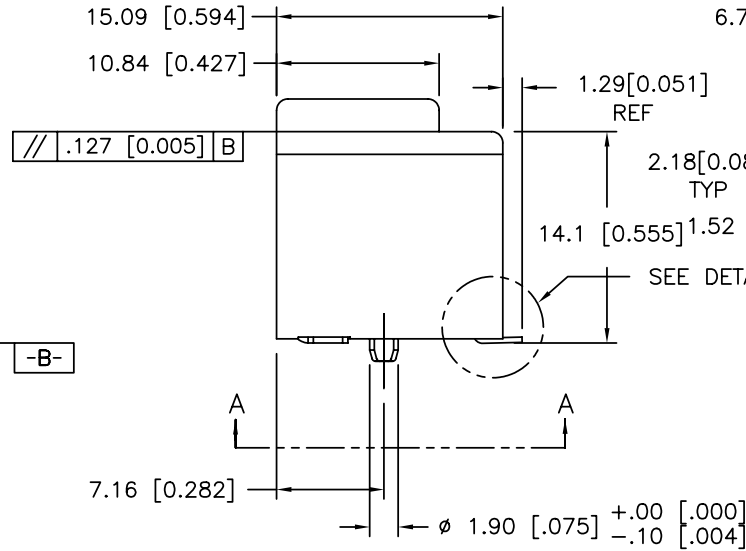
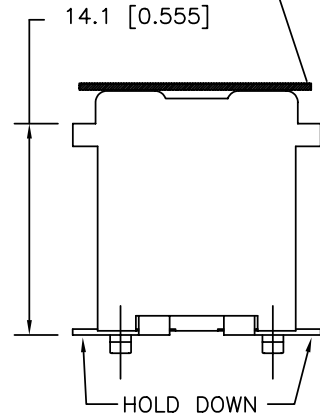
	IR
Physical	
Color (Housing)	Black
Material (Contact)	Copper Alloy
Material (Housing)	High Temp Thermoplastic
Plating (Contact area)	0.76 µm (30 µin.) Gold
Underplating (Contact)	2.54 µm (100 µin.) Nickel
Flammability rating	Meets UL-94 V-0
Approvals / Certifications	
UL File Number	E82037
CSA File Number	LR46923
Approvals / Certifications	UL and CSA Approved
Other Features	
Most Popular Configuration	Not Applicable
Packaging (Type)	Tape and Reel

PRODUCT NO.

SEE TABLE



THE MYLAR SEE NOTE 7
ONLY FOR 87545-XXX1C/XXX1CLF



mat'l. code				tolerances unless otherwise specified		CUSTOMER COPY		FCI www.fciconnect.com		
ltr	ecn no	dr	date	linear	.X±.3/.XX±.01		projection	title		
J	V81474	RGD	9/15/96		.XX±.13/.XXX±.005			A-SMT ASSEMBLY VERT 6 POS		
K	V12666	LP	1/10/02		.XXX±.051/.XXX±.0020			product family MOD JACK size dwg no		
L	N05-0035	YS	02/18/05	angles	0° ±2'		MM/INCH scale 1:1	code		
M	N05-0142	ZC	6/2/05	dr	S.DUESTERHOEFT 3/20/96			213		
N	N07-0217	WG	09/07/07	enrg	Y.BELOPOLSKY 3/20/96			sheet		
P	N08-0194	SH	09/08/09	chr	Y.BELOPOLSKY 7/8/96			1 of 2		
sheet index				revision	N	N	A4		87545	
				sheet	1	2				

Tous droits strictement reserves. Reproduction ou communication a des tiers interdite sous quelque forme que ce soit sans autorisation écrite du propriétaire. Propriete de c FCI. Droits de reproduction FCI.

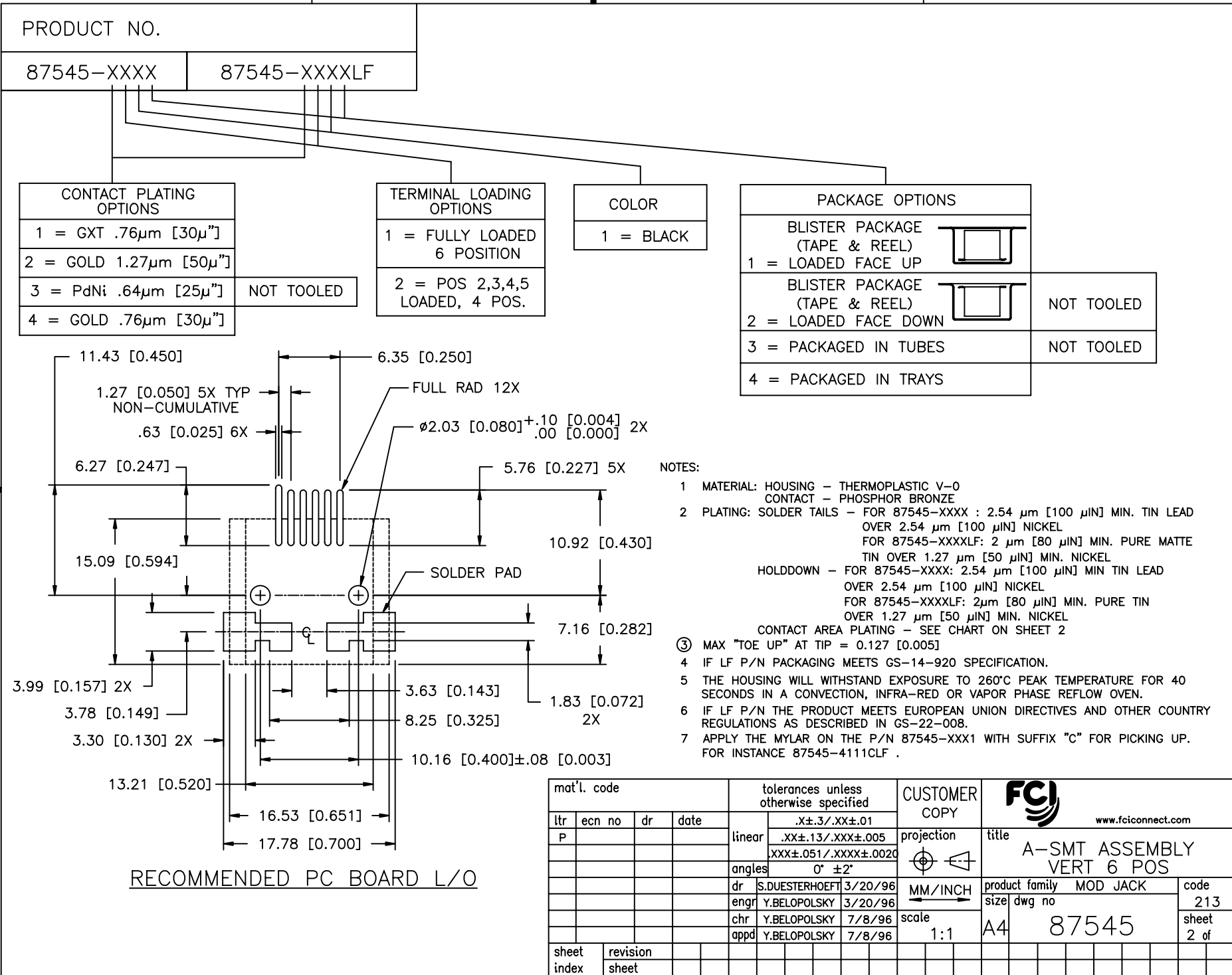
All rights strictly reserved. Reproduction or issue to third parties in any form whatever is not permitted without written authority from the proprietor. Property of FCI. Copyright FCI.



Tous droits strictement réservés. Reproduction ou communication à des tiers interdite sous quelque forme que ce soit sans autorisation écrite du propriétaire. Propriété de c FCI. Droits de reproduction FCI.



All rights strictly reserved. Reproduction or issue to third parties in any form without the written permission of FCI. Copyright FCI.



PRODUCT NO.
87545-XXXX 87545-XXXXLF

CONTACT PLATING OPTIONS	
1 = GXT .76µm [30µ"]	
2 = GOLD 1.27µm [50µ"]	
3 = PdNi .64µm [25µ"]	NOT TOOLED
4 = GOLD .76µm [30µ"]	

TERMINAL LOADING OPTIONS	
1 = FULLY LOADED 6 POSITION	
2 = POS 2,3,4,5 LOADED, 4 POS.	

COLOR	
1 = BLACK	

PACKAGE OPTIONS		
BLISTER PACKAGE (TAPE & REEL)		
1 = LOADED FACE UP		
BLISTER PACKAGE (TAPE & REEL)		NOT TOOLED
2 = LOADED FACE DOWN		
3 = PACKAGED IN TUBES		NOT TOOLED
4 = PACKAGED IN TRAYS		

NOTES:

- MATERIAL: HOUSING - THERMOPLASTIC V-0
CONTACT - PHOSPHOR BRONZE
- PLATING: SOLDER TAILS - FOR 87545-XXXX : 2.54 µm [100 µIN] MIN. TIN LEAD OVER 2.54 µm [100 µIN] NICKEL
FOR 87545-XXXXLF: 2 µm [80 µIN] MIN. PURE MATTE TIN OVER 1.27 µm [50 µIN] MIN. NICKEL
HOLDDOWN - FOR 87545-XXXX: 2.54 µm [100 µIN] MIN TIN LEAD OVER 2.54 µm [100 µIN] NICKEL
FOR 87545-XXXXLF: 2µm [80 µIN] MIN. PURE TIN OVER 1.27 µm [50 µIN] MIN. NICKEL
CONTACT AREA PLATING - SEE CHART ON SHEET 2
- MAX "TOE UP" AT TIP = 0.127 [0.005]
- IF LF P/N PACKAGING MEETS GS-14-920 SPECIFICATION.
- THE HOUSING WILL WITHSTAND EXPOSURE TO 260°C PEAK TEMPERATURE FOR 40 SECONDS IN A CONVECTION, INFRA-RED OR VAPOR PHASE REFLOW OVEN.
- IF LF P/N THE PRODUCT MEETS EUROPEAN UNION DIRECTIVES AND OTHER COUNTRY REGULATIONS AS DESCRIBED IN GS-22-008.
- APPLY THE MYLAR ON THE P/N 87545-XXX1 WITH SUFFIX "C" FOR PICKING UP. FOR INSTANCE 87545-4111CLF .

mat'l. code				tolerances unless otherwise specified		CUSTOMER COPY		FCI www.fciconnect.com		
ltr	ecn no	dr	date	linear	.X±.3/.XX±.01		projection	title		
P					.XX±.13/.XXX±.005			A-SMT ASSEMBLY VERT 6 POS		
					XXX±.051/.XXX±.0020					
				angles	0° ±2'		MM/INCH scale 1:1	product family	MOD JACK	
				dr	S.DUESTERHOEF	3/20/96		size	dwg no	213
				enr	Y.BELOPOLSKY	3/20/96		A4	87545	sheet
				chr	Y.BELOPOLSKY	7/8/96				2 of
sheet index	revision sheet			app	Y.BELOPOLSKY	7/8/96				