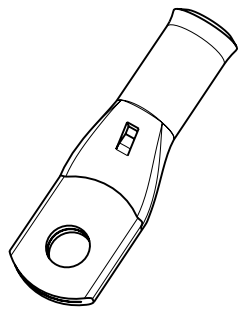
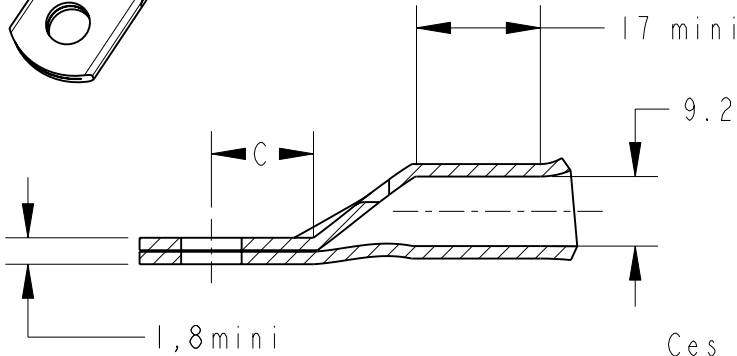


| | | | | | | |
|-----------|------------|------------------------------|-----------|--------------|--------------|--|
| LOC FH | DIST 00 | REVISIONS | | | | |
| P | LTR REV | DESCRIPTION MODIFICATIONS | DATE | DWN DESS. | APVD APP. | |
| | E1 | REVISED PER ECO-11-005150 | 28MAR2011 | RK | HMR | |
| | | | | | | |
| | | | | | | |



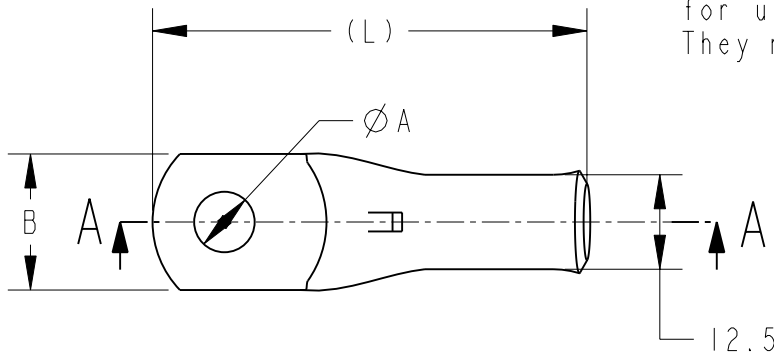
COUPE A-A



Inspection hole



Ces produits ne sont pas prévus pour une utilisation automobile. Ils répondent à la norme NFC 20-130
 These products are not intended for use in the car industry. They meet the standard NFC 20-130



| (L) | C | B | ØA | DESCRIPTION | PART NUMBER |
|-----|------|----|------|-------------|-------------|
| 53 | 13,5 | 18 | 6,4 | XCT 50-6 | 710025-3 |
| 53 | 13,5 | 18 | 8,3 | XCT 50-8 | 710025-2 |
| 53 | 13,5 | 18 | 10,3 | XCT 50-10 | 710025-5 |
| 53 | 13,5 | 19 | 12,8 | XCT 50-12 | 710025-7 |

- 1 - MATERIAL = TINNED COPPER
- 2 - Marking in depth: logo-section-hole-Made in France +
- 3 - CABLE SECTION = 1/0AWG or 50mm²
- 4 - GROOVE E50Cu OR DIE (Punch 17P50+ Die 17M50)

20

RELEASED FOR PUBLICATION
LIBRE A LA DIFFUSION

ALL RIGHTS RESERVED.
TOUS DROITS RESERVES.

THIS DRAWING IS UNPUBLISHED.
DIFFUSION RESTREINTE

© COPYRIGHT 20

| | | | | | | | | |
|--|--|---------------------------------------|---------|------------------------------|------------------------|-----------------------|----------------------------|--|
| DIMENSIONS: mm | | DWN/DESSINE D. LEGUY | 15DEC00 | MATERIAL MATIERE | CUIVRE | FINISH FINITION | ETAME | |
| <p>TOLERANCES UNLESS OTHERWISE SPECIFIED: TOLERANCES NON SPECIFIEES (SUIV NB DE DECIMALES):</p> <p>0 PLC/DEC: ±0 1 PLC/DEC: ±0 2 PLC/DEC: ±0 3 PLC/DEC: ±0 4 PLC/DEC: ±0</p> <p>ANGLES ±</p> | | CHK/VERIFIE L. MAINIER | - | TE Connectivity | | | | |
| | | APVD/APPROUVE B. PORCHERAY | - | | | | | |
| | | PRODUCT SPEC SPEC. PRODUIT | - | NAME TITRE | XCT 50-.. | | | |
| | | APPLICATION SPEC SPEC. APPLICATION | - | SIZE FORMAT | CAGE CODE | DRAWING NO No PLAN | RESTRICTED TO RESERVE A | |
| WEIGHT MASSE APPROX. | | A4 | | 00779 | C=710025 | | - | |
| CUSTOMER DRAWING | | /PLAN CLIENT | | UNIQUEMENT POUR REFERENCE | SCALE ECHELLE - / - | SHEET FEUILLE 1 | OF DE 1 | |
| | | | | | | | REV E1 | |