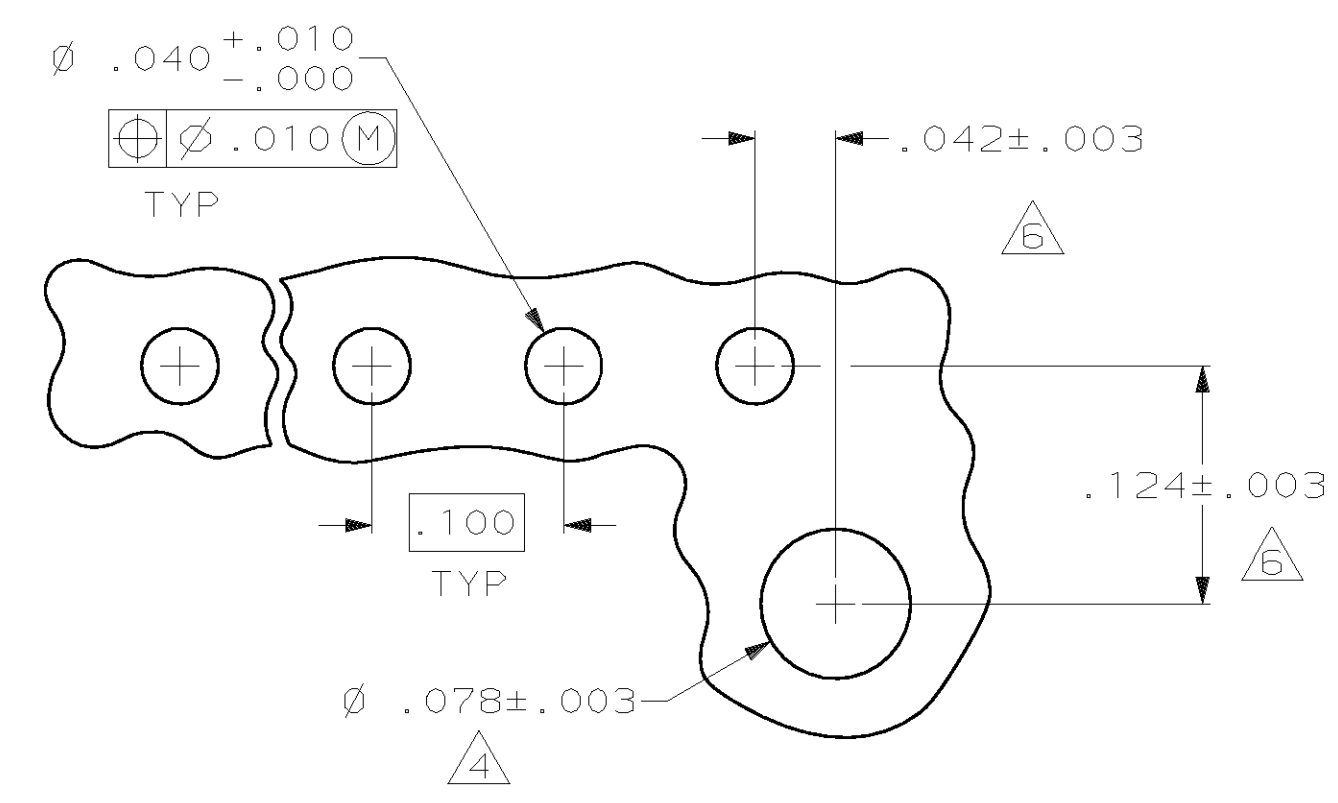
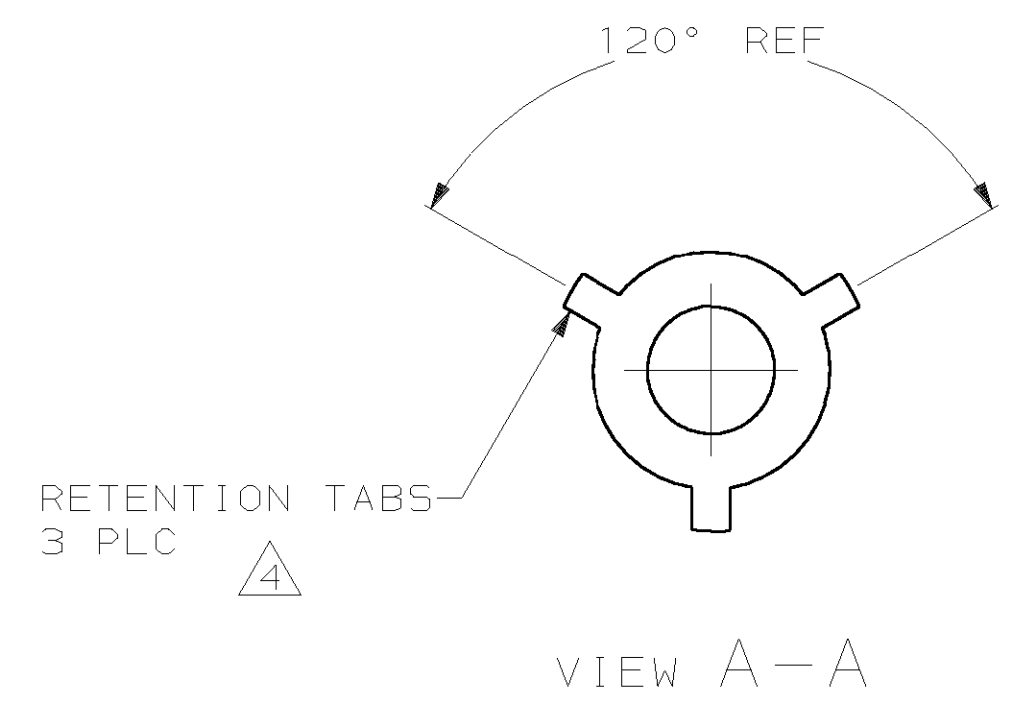
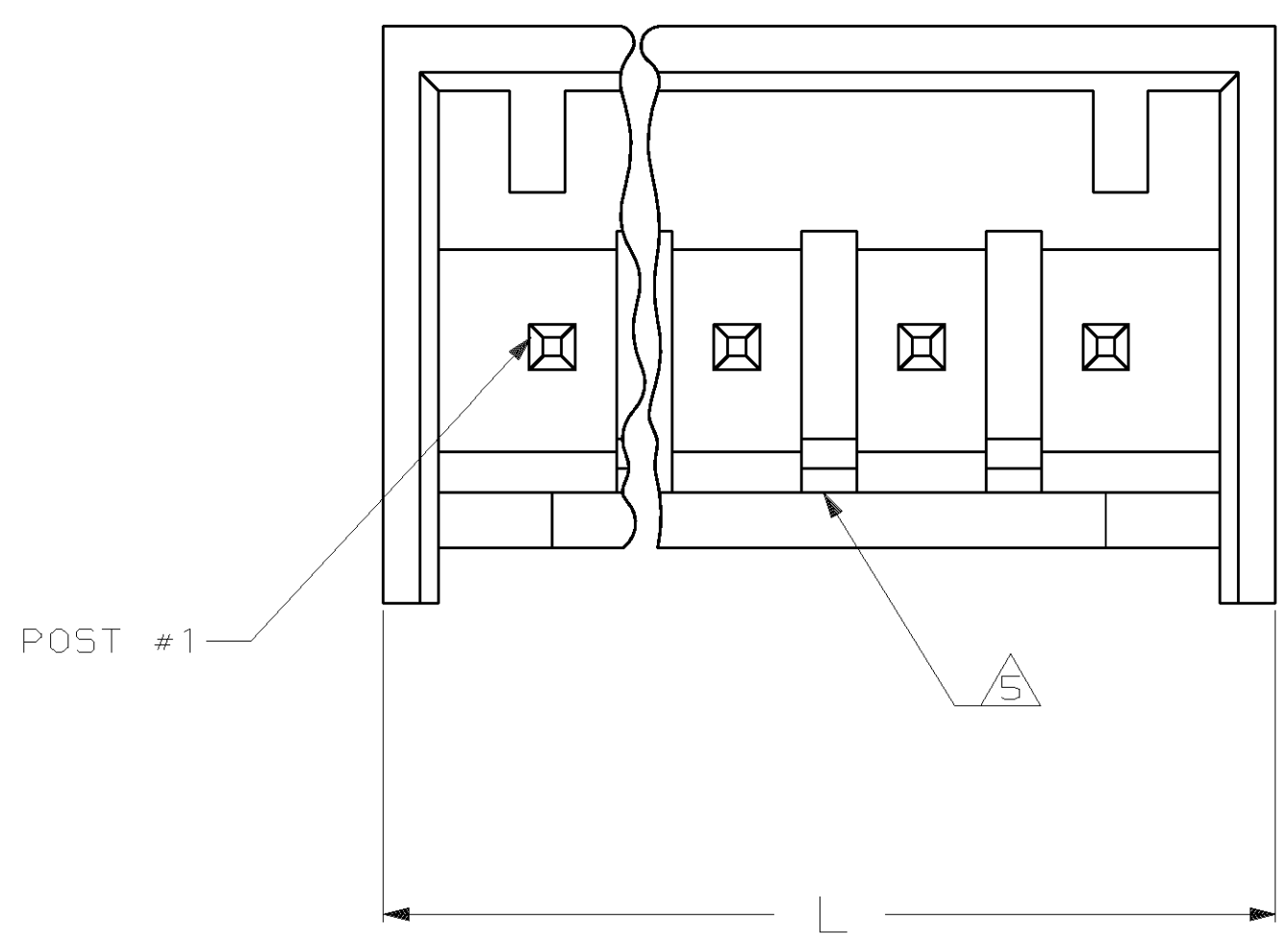
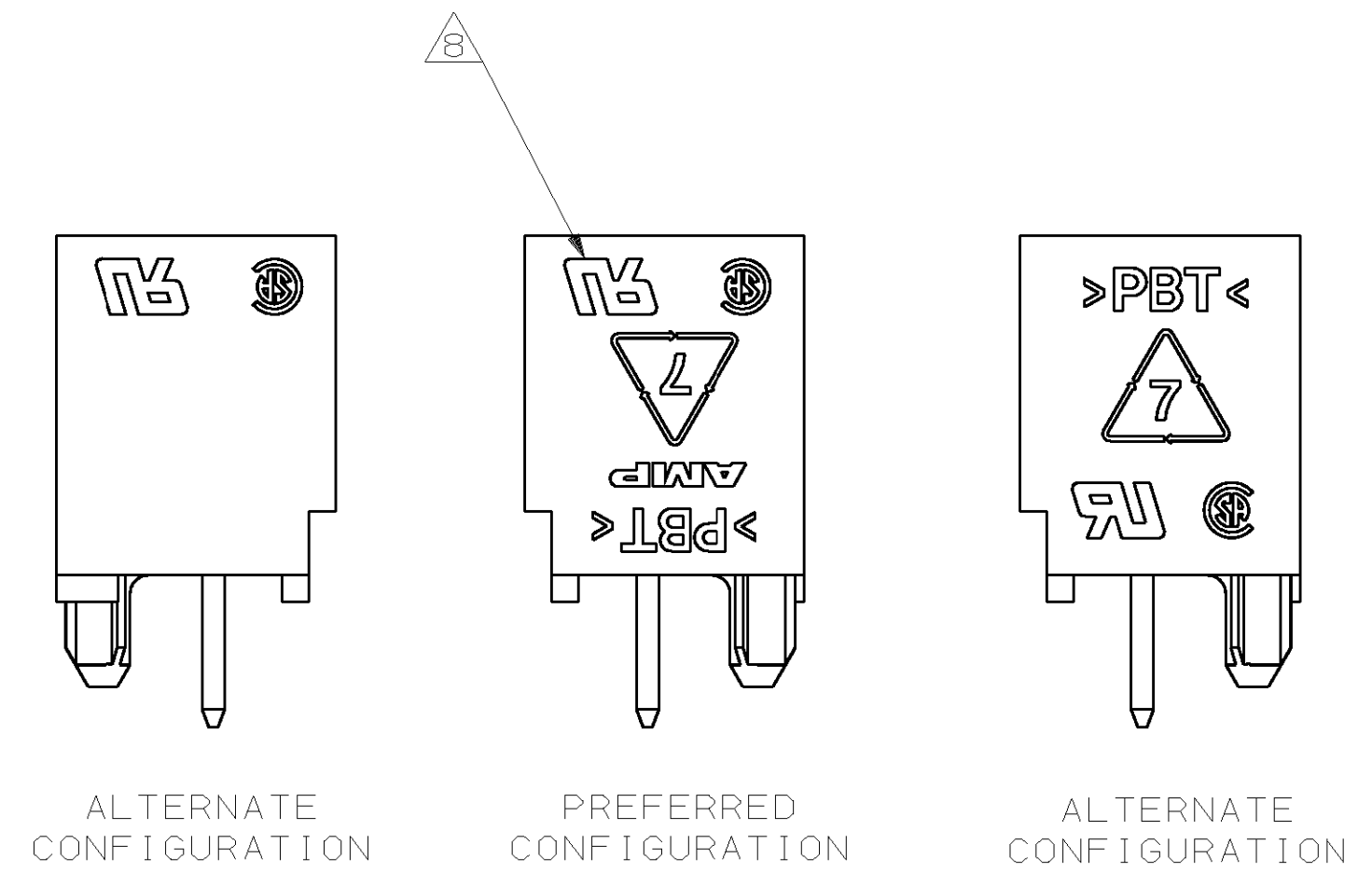
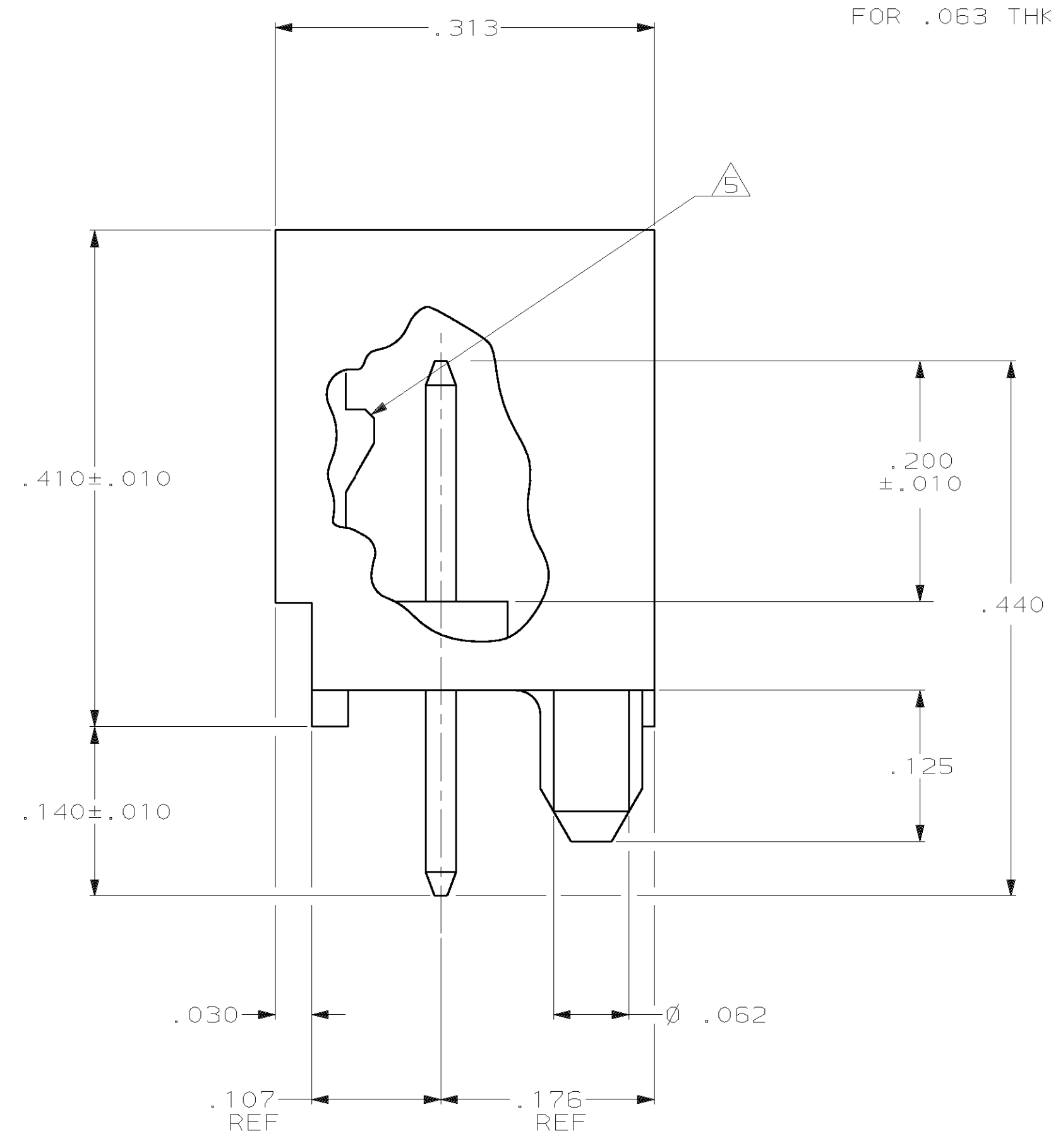
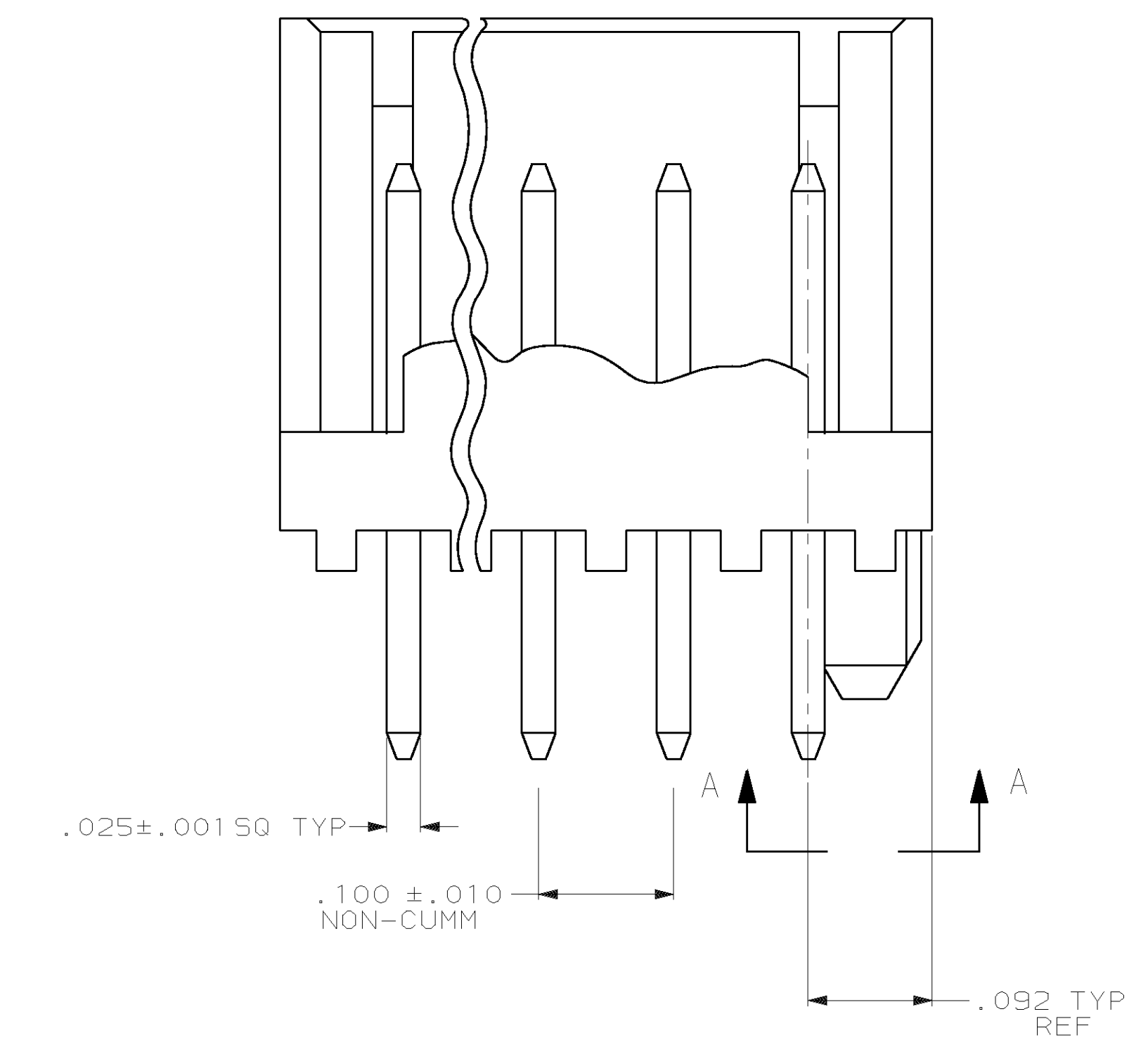


LOC		DIST		P		ZONE		LTR		REVISIONS		DATE	APPD
CM	54	P	F							DESCRIPTION			
										D	REV PER EC 063B-0203-99	04-JAN-00	KW DB



- 1 MATERIAL: HEADER- POLYESTER UL94V-0 (BLACK)  
POST- PH BRZ.
- 2 SOLDER SIDE OF P.C. BOARD SHOWN.
- 3 PARTS COMPLY WITH AMP SOLDERABILITY SPEC 109-11-2.
- 4 THE RETENTION TABS PROVIDE A ONE-TIME INTERFERENCE FIT IN THE .078 DIAMETER BOARD HOLE FOR HEADER ASSEMBLY RETENTION DURING SOLDERING.
- 5 LATCH DETENT FEATURE OCCURS 2 PLACES ON EACH END (MAXIMUM OF FOUR PER PART). FOR 2 THRU 5 CIRCUIT HEADERS, LATCH FEATURE OCCURS BETWEEN EACH CIRCUIT.
- 6 COORDINATE DIMENSION APPLIES FROM CENTER OF ACTUAL FEATURE.
- 7 POST: MATTE TIN PLATED, .000150-.000350 THICK.
- 8 UL AND CSA LOGO WILL APPEAR IN THIS AREA. AMP LOGO MAY APPEAR IN THIS AREA OR ON BOTTOM OF PART



POSSIBLE MARKING CONFIGURATIONS  
SCALE 5:1

1.484	37.69	14	1-644486-4
1.384	35.15	13	1-644486-3
1.284	32.61	12	1-644486-2
1.184	30.07	11	1-644486-1
1.084	27.53	10	1-644486-0
.984	24.99	9	644486-9
.884	22.45	8	644486-8
.784	19.91	7	644486-7
.684	17.37	6	644486-6
.584	14.83	5	644486-5
.484	12.29	4	644486-4
.384	9.75	3	644486-3
.284	7.21	2	644486-2
IN	MM	NO OF POSITIONS	PART NUMBER
L		HEADER ASSEMBLY	

	.313	7.95	.062	1.57	
	.200	5.08	.042	1.07	
	.176	4.47	.040	1.02	
	.140	3.56	.030	0.76	
	.125	3.18	.025	0.64	
	.124	3.15	.010	0.25	
	.107	2.72	.005	0.13	
	.100	2.54	.003	0.08	
	.092	2.34	.001	0.03	
.440	11.18	.078	1.98	.000350	0.009
.410	10.41	.063	1.60	.000150	0.004
INCH	MM	INCH	MM	INCH	MM

CONVERSION TABLE



DO NOT SCALE PRINT. UNLESS SPECIFIED DIMENSIONS IN mm [INCHES] TOLERANCES ON: 2 PLC DEC ± .005 3 PLC DEC ± .005 ANGLES ± -	DR B. LEWIS 3-19-90	AMP INCORPORATED Harrisburg, Pa. 17105
CHK R. SWING 3-20-90	NAME	
MATERIAL	APPD E. BEILES 3-23-90	MTA-100 SHROUDED HEADER ASSEMBLY, FRICTION LOCK, STRAIGHT POST, TIN PLATED
FINISH	APPD 3-23-90 E. BEILES	SIZE D
	PRODUCT SPEC -	CAGE CODE 00779
	APPLICATION SPEC -	DRAWING NO 644486
	WEIGHT -	SCALE 10/1
		SHEET 1 OF 1