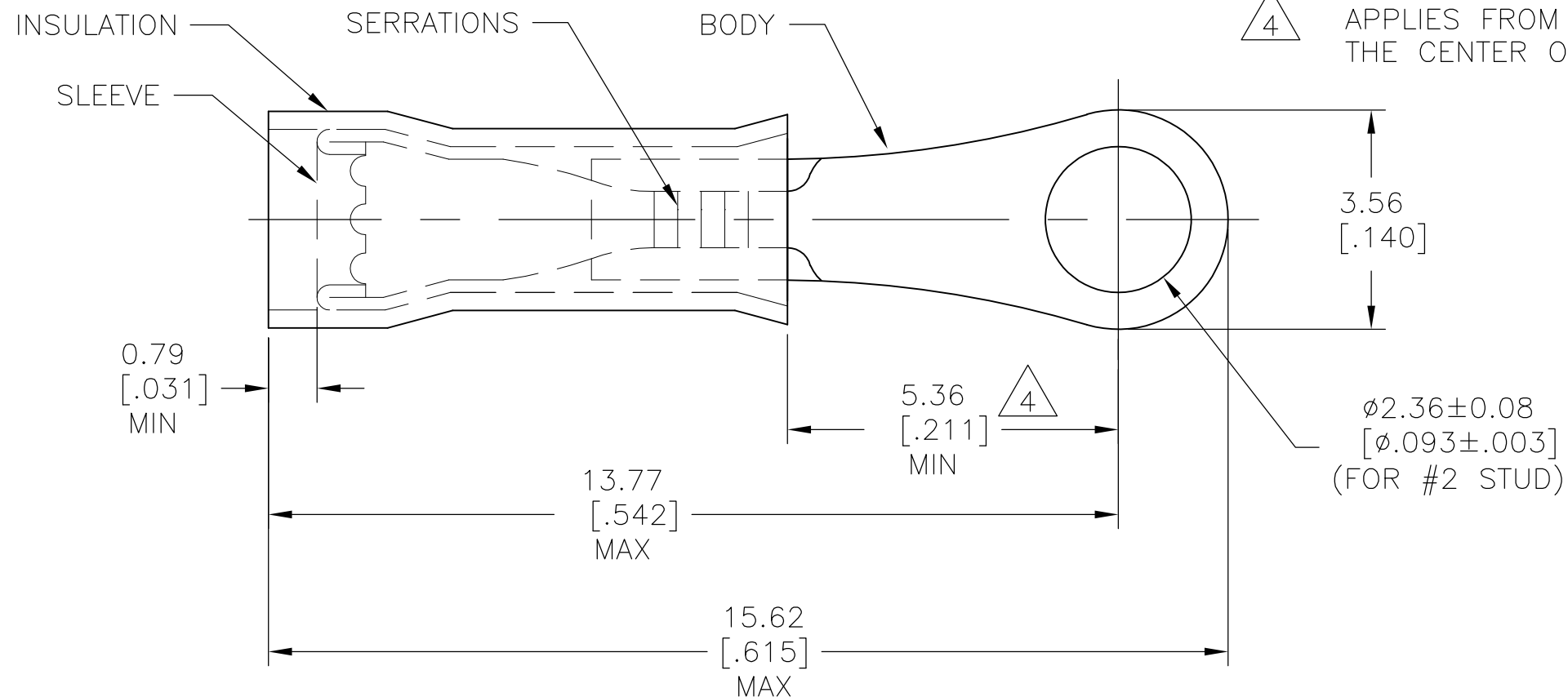


THIS DRAWING IS UNPUBLISHED. RELEASED FOR PUBLICATION
© COPYRIGHT BY TYCO ELECTRONICS CORPORATION. ALL INTERNATIONAL RIGHTS RESERVED.

| LOC | DIST | REVISIONS | | | | | |
|-----|------|-----------|-----|---------------------------|---------|-----|------|
| G | 14 | P | LTR | DESCRIPTION | DATE | DWN | APVD |
| | | G1 | | REVISED PER ECR-09-017960 | 28AUG09 | HMR | JR |

- 1 FOR 1.27 [.050] TO 2.08 [.082] WIRE INSULATION DIA
- 2 TONGUE MATERIAL THK = 0.46±0.05 [.018±.002]
- △3 SUPERSEDED BY 2-323912-1
- △4 APPLIES FROM THE METAL EDGE OF THE BARREL TO THE CENTER OF THE STUD



| 100 | LOOSE PC, BOX | BODY & SLEEVE: COPPER (ASTM-B152) TIN PL (ASTM-B545) INSULATION: NYLON (ASTM-D4066) TYPE 1 COLOR: YELLOW | 8-329951-1 |
|-----|----------------|--|---------------|
| 1 | 329951 ON TAPE | | △3 2-329951-1 |
| 1 | WIRE TERMINAL | | 329951 |
| QTY | DESCRIPTION | MATERIAL & FINISH | PART NO |

| | | | | |
|---|--|------------------------------------|---|--------------------|
| THIS DRAWING IS A CONTROLLED DOCUMENT. | | DWN RAGHAVENDRA 28AUG09 | Tyco Electronics Corporation Harrisburg, PA 17105-3608 | |
| DIMENSIONS: mm [INCHES] | | CHK JEFF RUTH 28AUG09 | NAME | |
| TOLERANCES UNLESS OTHERWISE SPECIFIED: | | APVD TOM MICHIELUTTI 28AUG09 | WIRE TERMINAL PIDG - RING TONGUE WIRE SIZE: 26-22 | |
| 0 PLC ± - 1 PLC ± - 2 PLC ± - 3 PLC ± .20 [.008] 4 PLC ± - ANGLES ± 0° 30' | | PRODUCT SPEC - | SIZE A3 | CAGE CODE 00779 |
| MATERIAL SEE TABLE | | FINISH SEE TABLE | DRAWING NO G-329951 | RESTRICTED TO - |
| CUSTOMER DRAWING | | | SCALE 10:1 | SHEET 1 OF 1 |
| | | | REV G1 | |