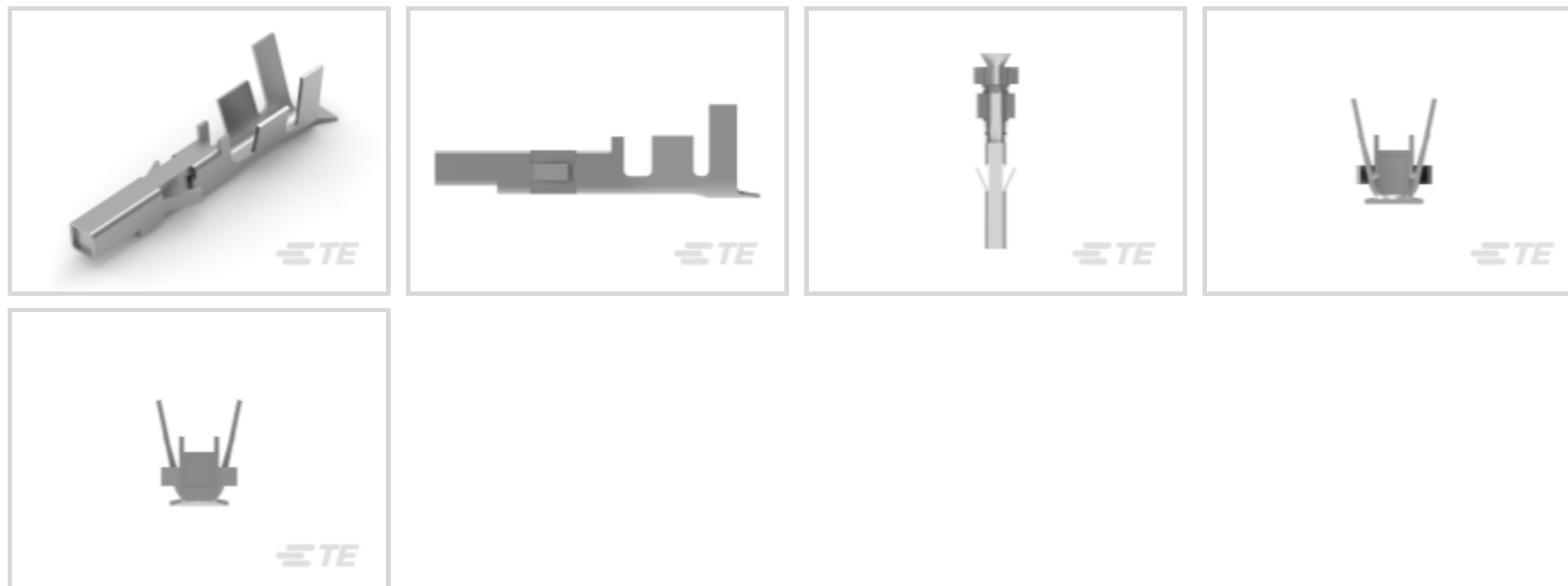




Connectors > Contacts > Connector Contacts



Contact Type: **Socket**

Contact Mating Area Plating Material: **Tin (Sn)**

Wire Contact Termination Area Plating Material: **Pre-Tin**

Operating Voltage: **600 VAC**

Contact Retention Within Housing: **With**

Features

Electrical Characteristics

Operating Voltage	600 VAC
-------------------	---------

Contact Features

Contact Type	Socket
Contact Mating Area Plating Material	Tin (Sn)
Wire Contact Termination Area Plating Material	Pre-Tin
Contact Retention Within Housing	With
Contact Base Material	Copper Alloy
Contact Current Rating (Max)	13 A
Mating Square Post Dimension	1.14 mm[.045 in]
Contact Mating Area Plating Material Thickness	.254 μm[100 μin]
Wire Contact Termination Area Plating Thickness	2.54 μm[100 μin]
Wire Contact Termination Area Plating Material Finish	Bright
Contact Orientation	Straight
Contact Underplating Material	Nickel
Contact Underplating Material Thickness	.762 μm[30 μin]



Termination Features

Termination Method to Wire & Cable	Crimp
Product Terminates To	Wire & Cable

Mechanical Attachment

Wire Insulation Support	Without
-------------------------	---------

Dimensions

Wire Size	1.31 mm ²
Compatible Insulation Diameter Range	1.5 – 3.1 mm [.06 – .122 in]

Usage Conditions

Operating Temperature Range	-40 – 105 °C [-40 – 221 °F]
-----------------------------	-----------------------------

Operation/Application

Circuit Application	Power
---------------------	-------

Packaging Features

Packaging Method	Reel
------------------	------

Product Compliance

[For compliance documentation, visit the product page on TE.com>](#)

EU RoHS Directive 2011/65/EU	Compliant
EU ELV Directive 2000/53/EC	Not Yet Reviewed
China RoHS 2 Directive MIIT Order No 32, 2016	有害物质含量符合标准要求 No Restricted Substance(s) Above Threshold
EU REACH Regulation (EC) No. 1907/2006	Current ECHA Candidate List: JUNE 2025 (250) Candidate List Declared Against: JUNE 2025 (250) Does not contain REACH SVHC
Halogen Content	Low Halogen - Br, Cl, F < 900 ppm per homogenous material. Also BFR/CFR/PVC Free
Solder Process Capability	Not reviewed for solder process capability

Product Compliance Disclaimer

This information is provided based on reasonable inquiry of our suppliers and represents our current actual knowledge based on the information they provided. This information is subject to change. The part numbers that TE has identified as EU RoHS compliant have a maximum concentration of 0.1% by weight in homogenous materials for lead, hexavalent chromium, mercury, PBB, PBDE, DBP, BBP, DEHP, DIBP, and 0.01% for cadmium, or qualify for an exemption to these limits as defined in the Annexes of Directive 2011/65/EU (RoHS2). Finished electrical and electronic equipment products will be CE marked as required by Directive 2011/65/EU. Components may not be CE marked. Additionally, the part

numbers that TE has identified as EU ELV compliant have a maximum concentration of 0.1% by weight in homogenous materials for lead, hexavalent chromium, and mercury, and 0.01% for cadmium, or qualify for an exemption to these limits as defined in the Annexes of Directive 2000/53/EC (ELV). Regarding the REACH Regulation, the information TE provides on SVHC in articles for this part number is based on the latest European Chemicals Agency (ECHA) 'Guidance on requirements for substances in articles' posted at this URL: <https://echa.europa.eu/guidance-documents/guidance-on-reach>

Compatible Parts



TE Part # 2825209-1
VAL-U-LOK SKT 16AWG HCS SN LP



TE Part # 2825213-1
VAL-U-LOK SKT HCS SN 22-18 LP



TE Part # 2151667-1
OCEAN_2.0_Applicator-S-070F125F-RSM



TE Part # 2151667-2
OCEAN_2.0_Applicator-S-070F125F-RSA



TE Part # 2825208-1
VAL-U-LOK PIN 16AWG HCS SN LP



TE Part # 2825212-1
VAL-U-LOK PIN HCS TN 22-18 LP

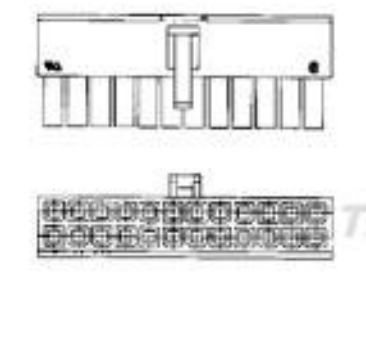


KIT
REPRESENTATION ONLY
TE Part # 7-2151667-7
OCEAN_2.0_SPARE_PART_KIT-070F125F

Customers Also Bought



TE Part #1-207532-0
SKT HDR ASSY,24P,MMATE LF



TE Part #1-794954-6
16P RCPT VAL-U-LOK V2



TE Part #7-1437719-8
T01-0570-S08-FEMALE REC PANEL-PCB STRT



TE Part #1744168-2
06P MTA156 HDR ASSY STR W/O2



TE Part #2-1879501-7
CRGH2512 5% 12R 2W



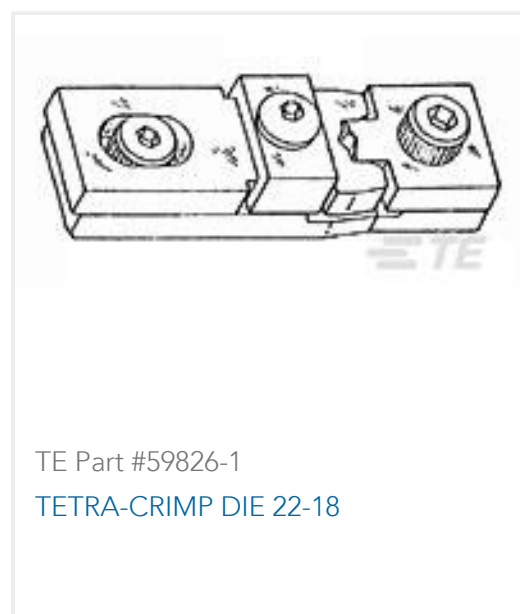
TE Part #1903126-1
DYNAMIC D1000 TAB CONT TIN (2L) L/P



TE Part #2822362-2
070 EJ MK-2 SENSOR PLUG ASSY 2P GREEN



TE Part #2825209-1
VAL-U-LOK SKT 16AWG HCS SN LP



Documents

Product Drawings

VAL-U-LOK SKT HCS SN 16AWG

English

CAD Files

3D PDF

3D

Customer View Model

[ENG_CVM_CVM_2825207-1_A.2d_dxf.zip](#)

English

Customer View Model

[ENG_CVM_CVM_2825207-1_A.3d_igs.zip](#)

English

Customer View Model

[ENG_CVM_CVM_2825207-1_A.3d_stp.zip](#)

English

By downloading the CAD file I accept and agree to the [Terms and Conditions](#) of use.

Product Specifications

Application Specification

English

Instruction Sheets

Instruction Sheet (U.S.)

English