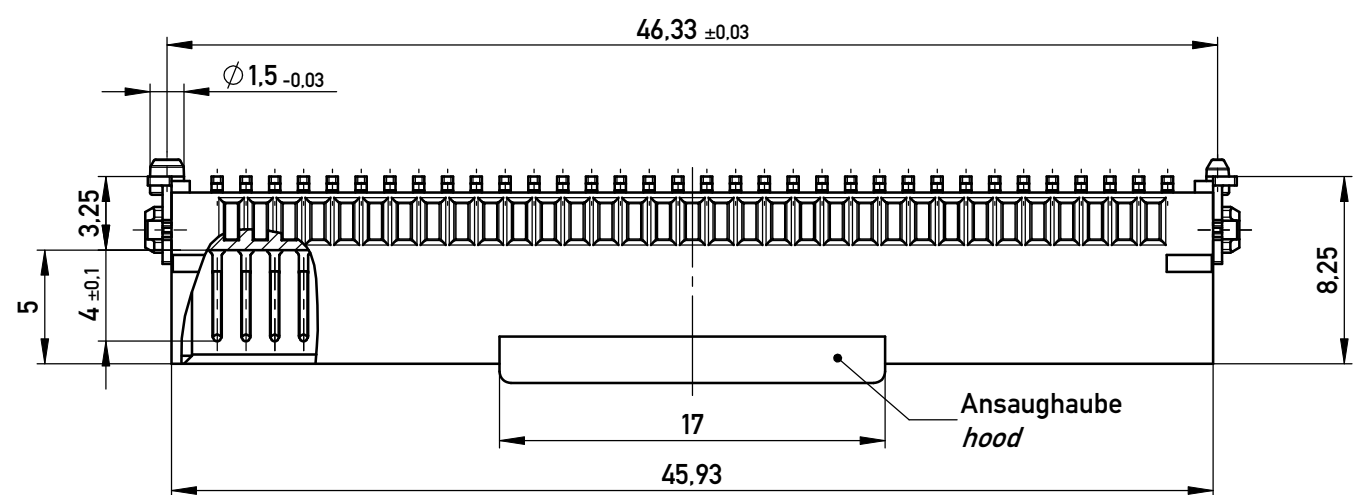
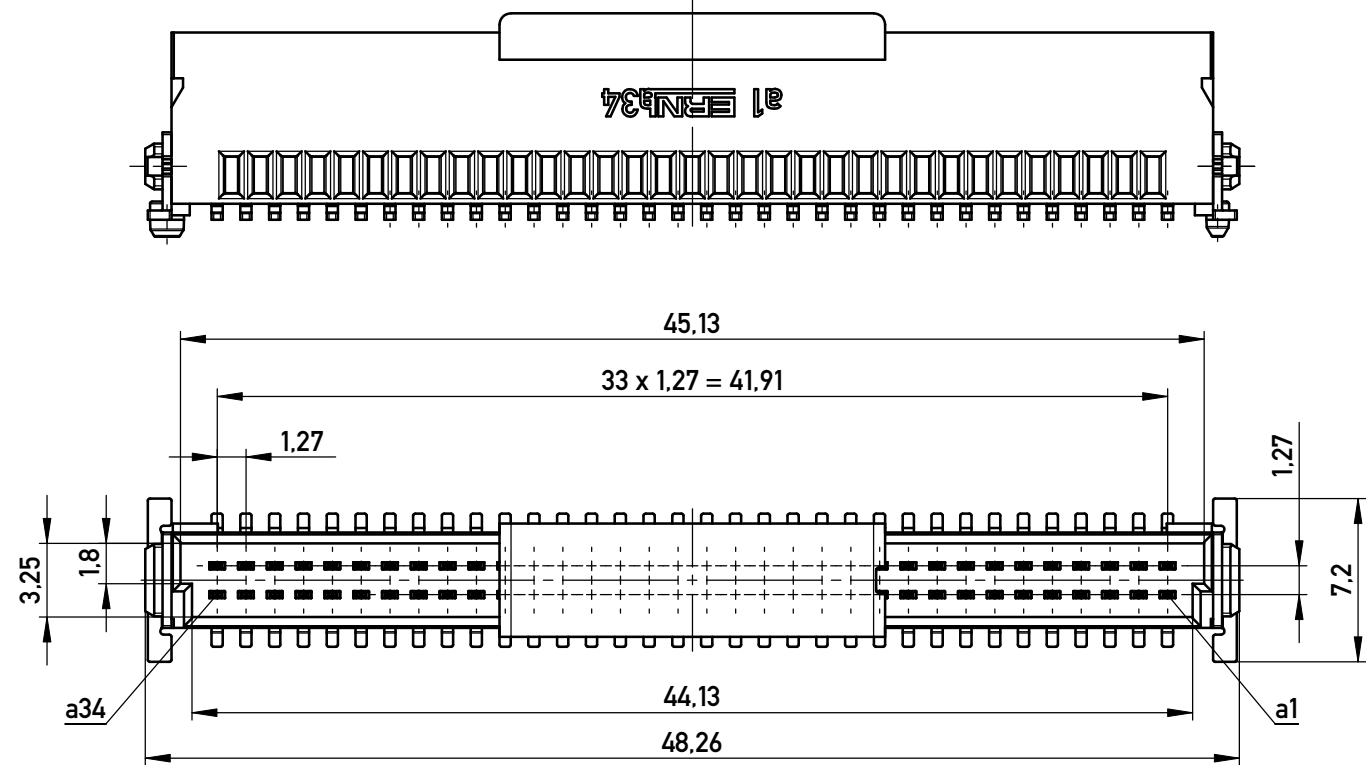
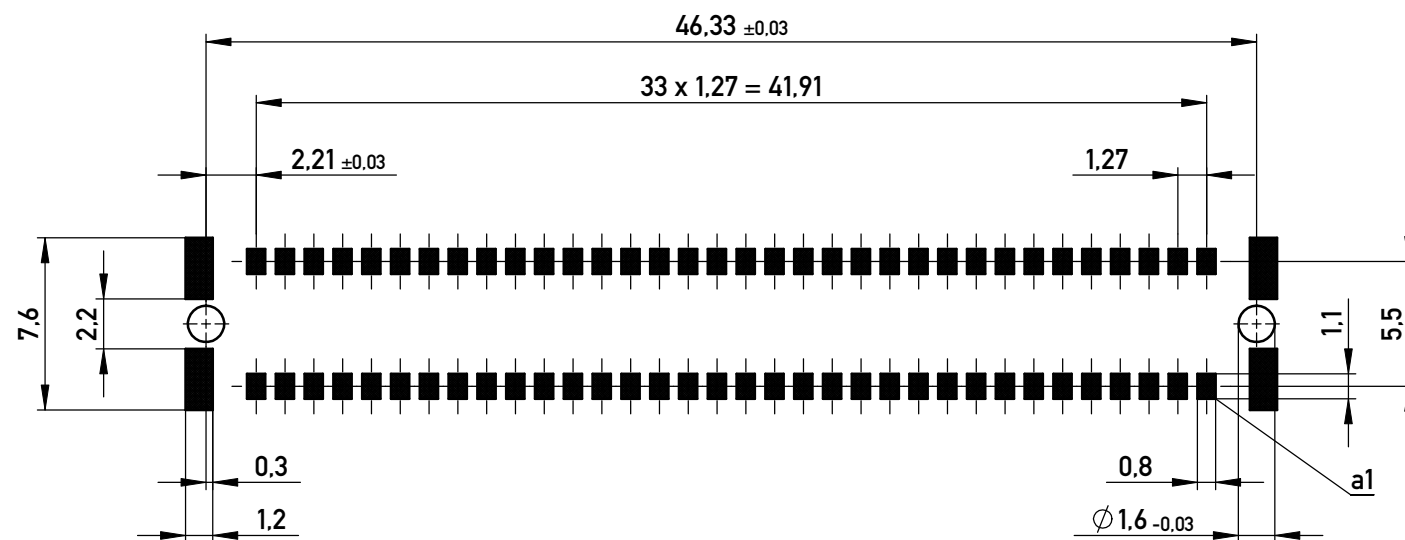


Verpackt in Gurtverpackung - *Tape on Reel Packaging*
 Verpackungseinheit: 280 Stück - *Packaging unit: 280 pcs*



Leiterplatten-Layout Vorschlag für SMT
PCB-Layout Proposal for SMT

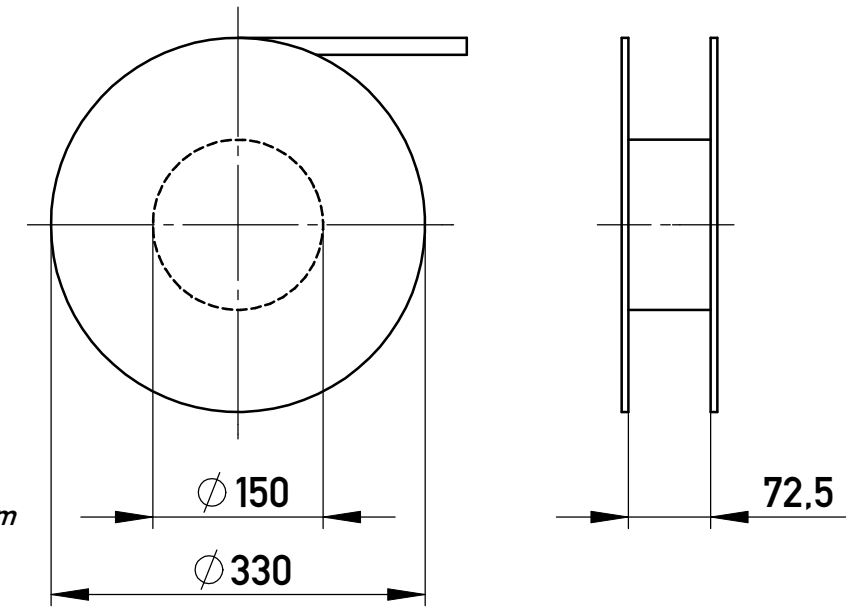


Anforderungsstufe 1
Performance Level 1

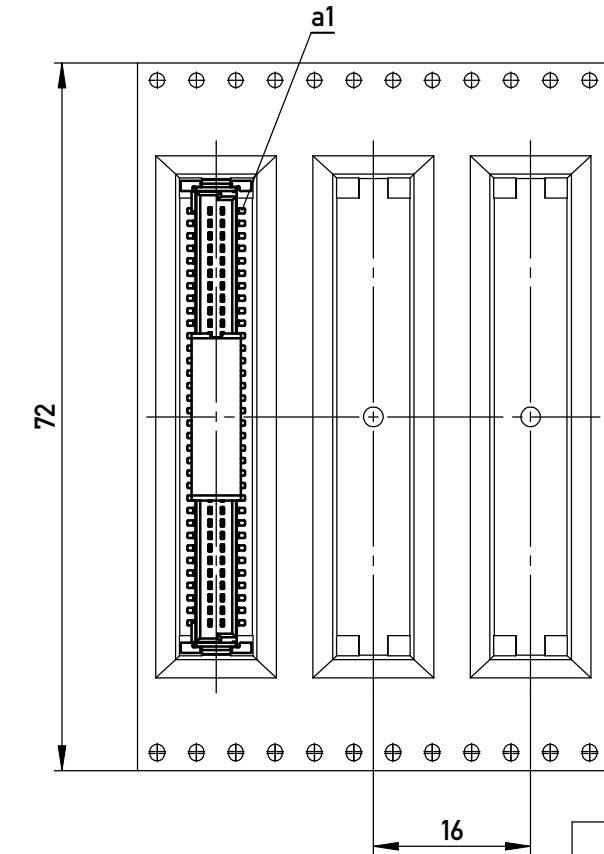
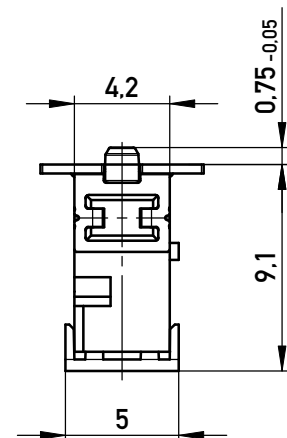
Kontaktbereich vergoldet
Mating Area gold plating

Anschlussbereich verzinkt 4-6 µm
Terminal Area 4-6 µm tin plating

Koplanarität der Anschlüsse ≤ 0,1 mm
Coplanarity Area of Termination ≤ 0,1 mm



Abspulrichtung - *Reel off Direction*



BA 8-03 - Standard Bauhöhe
type 8-03 - Standard Assembly Height

Information:		Tolerances	Scale 3:1
All rights reserved. Only for Information. To ensure that this is the latest version of this drawing, please contact one of the ERNI companies before using.		All Dimensions in mm	
Subject to modification without prior notice. Drawing will not be updated.		Designation Messerrl. SMC-Q 68-SMD-BA8-03 <i>Male SMC-Q 68-SMD-type8-03</i>	
www.ERNI.com		244857	
b	27.10.2010	1	
Index	Date	A3	
Class		SMCQ	

Copyright by ERNI GmbH
 Proprietary notice pursuant to ISO 16016 to be observed.