

TECHNICAL DATA SHEET

## Type HA-G1

Liquid tight conduit fitting  
Ex d e Flameproof barrier fitting



Flameproof hazardous area fitting for liquid tight metallic conduits.

### Certifications / Standards:



### Features & benefits:

- Constructed from either brass or stainless steel with an epoxy resin barrier. This Group I flameproof fitting is a high specification product, ideal for all hazardous area applications

### Safe operating temperature range:

- -60°C to +130°C

### IP test:

- IP66

### Material / Materials / Finishes:

- Nickel plated brass
- Stainless steel

### Conforms to:

- IEC EN 60079-0, 60079-1, 60079-7, 60079-31
- ATEX: Sira 09ATEX1231X
- IECEx: IECEx SIR09.0103X
- Ex de I Mb
- Ex de IIC Gb
- Ex tb IIIC Db
- CSA File No: 060582
- Class I Div 2 ABCD Class II Div 1 EFG
- Class 1 Zone 2 Group IIA IIB IIC
- UL1696: E135398 - For Use with EXLHC

Product information- Metric thread

Part no. Nickel plated brass	Metric Thread Size A (mm)	Conduit Size B (mm)	Cable Gland Dimensions (mm)						
			C	D	E	L	H	CH1	CH2
HAMM0304G1	M20	16.0	10.0	34.0	31.0	15.0	50.0	32.0	28.6
HAMM0404G1	M20	20.0	12.5	34.0	31.0	15.0	50.0	32.0	28.6
HAMM0505G1	M25	25.0	18.4	37.0	37.0	15.0	50.0	34.0 (34.9 in SS)	34.0
HAMM0606G1	M32	32.0	24.7	45.0	45.0	15.0	50.0	42.0 (42.5 in SS)	42.0
HAMM0707G1	M40	40.0	29.7	57.0	54.0	15.0	57.0	52.0	50.0
HAMM0808G1	M50	50.0	41.7	64.0	64.0	15.0	58.0	60.0	60.0
HAMM0909G1	M63	63.0	51.7	78.0	76.2	15.0	70.6	69.7	70.0

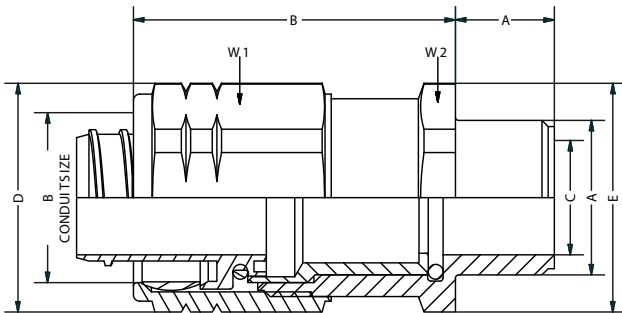
\* For Stainless Steel version, replace last M from the reference with an S, e.g. HAMS0304G1

Product information- NPT thread

Part no. Nickel plated brass	NPT Thread Size A (in.)	Conduit Size B (mm)	Cable Gland Dimensions (mm)						
			C	D	E	L	H	CH1	CH2
HAAM0304G1	1/2	16.0	10.0	34.0	31.0	20.2	50.0	32.0	28.6
HAAM0404G1	1/2	20.0	12.5	34.0	31.0	20.2	50.0	32.0	28.6
HAAM0505G1	3/4	25.0	18.4	37.0	37.0	20.2	50.0	34.0 (34.9 in SS)	34.0
HAAM0606G1	1	32.0	24.7	45.0	45.0	25.0	50.0	42.0 (42.5 in SS)	42.0
HAAM0707G1	1 1/4	40.0	29.7	57.0	54.0	25.6	57.0	52.0	50.0
HAAM0808G1	1 1/2	50.0	41.7	64.0	64.0	26.0	58.0	60.0	60.0
HAAM0909G1	2	63.0	51.7	78.0	76.2	27.0	70.6	69.7	70.0

\* For Stainless Steel version, replace last M from the reference with an S, e.g. HAAS0304G1

Product information- Metric thread



Product information- NPT thread

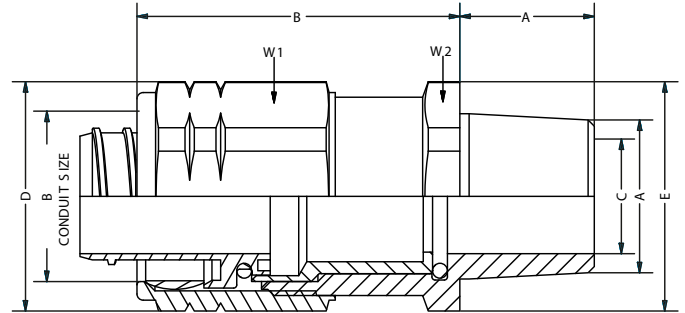


ABB Cable Management Products Ltd  
CMG House, Station Road,  
Coleshill, Birmingham  
B46 1 HT  
E-Mail: cmg.conduitsystems@abb.com

new.abb.com

We reserve the right to make technical changes or modify the contents of this document without prior notice. With regard to purchase orders, the agreed particulars shall prevail. ABB AG does not accept any responsibility whatsoever for potential errors or possible lack of information in this document.

We reserve all rights in this document and in the subject matter and illustrations contained therein. Any reproduction, disclosure to third parties or utilisation of its contents – in whole or in parts – is forbidden without prior written consent of ABB AG. Copyright © 2022 ABB All rights reserved