

8EI024HWSS0.XXXX-1

1 Order data


Order number	Short description	Figure
	Wall mounting	
8EI024HWSS0.XXXX-1	ACOPOS P3 servo drive, 3x 200-480 VAC, 24 A, SafeMOTION, 1 axis, wall mounting	
	Optional accessories	
	Display modules	
8EAD0000.000-1	Display module, LCD, 128 x 64, black/white, 1x USB 3.0	
	Fan modules	
8EXF200.0000-00	ACOPOS P3 fan module, replacement fan for ACOPOS P3 servo drive double-width (8EI017xxD/8EI022xxD/8EI024/8EI034/8EI044)	
8EXF300.0000-00	ACOPOS P3 ELKO fan module, replacement fan for ACOPOS P3 servo drive double-width (8EI017xxD/8EI022xxD/8EI024/8EI034/8EI044)	
	Front covers	
8EXA300.0010-00	ACOPOS P3 cover, B&R orange, double-width, suitable for servo drives 8EI017xxDxx.xxxx-x / 8EI022xxDxx.xxxx-x / 8EI024xxSxx.xxxx-x / 8EI034xxSxx.xxxx-x / 8EI044xxSxx.xxxx-x	
8EXA300.0020-00	ACOPOS P3 cover, B&R dark gray, double-width, suitable for servo drives 8EI017xxDxx.xxxx-x / 8EI022xxDxx.xxxx-x / 8EI024xxSxx.xxxx-x / 8EI034xxSxx.xxxx-x / 8EI044xxSxx.xxxx-x	
	Passive line filter	
8B0F0160H000.000-1	Line filter, passive, 16 A, 3x 528 VAC, 50/60 Hz, IP20	
8B0F0300H000.000-1	Line filter, passive, 30 A, 3x 520 VAC, 50/60 Hz, IP20	
8B0F0550H000.000-1	Line filter, passive, 55 A, 3x 520 VAC, 50/60 Hz, IP20	
	Plug-in modules	
8EAC0122.001-1	ACOPOS P3 plug-in module, resolver interface 10 kHz	
8EAC0130.000-1	ACOPOS P3 plug-in module, 8 digital I/O 24 V (4x 400 mA, 4x 100 mA) individually configurable as inputs or outputs, 2 digital I/O 24 V 2 A configurable in pairs as inputs or outputs, order terminal block 8TB0230.221A-00 separately!	
8EAC0150.001-1	ACOPOS P3 plug-in module, digital multi-encoder interface	
8EAC0151.001-1	ACOPOS P3 plug-in module, incremental encoder interface	
8EAC0152.001-1	ACOPOS P3 plug-in module, analog multi-encoder interface	
	Shield component sets	
8SCSE01.0200-00	ACOPOS P3 shield component set: 1x ACOPOS P3 shield mounting plate, 2x 2x M3x6 screws	
8SCSE02.0100-00	ACOPOS P3 shield component set: 1x shield connection clamp type SK14	
8SCSE02.0200-00	ACOPOS P3 shield component set: 1x shield connection clamp type SK20	
	Terminal blocks	
8TB2104.2210-00	4-pin push-in terminal block, 1-row, pitch: 5.08 mm, label 1: Numbered consecutively	
8TB2104.223L-00	4-pin push-in terminal block, 1-row, pitch: 5.08 mm, label 3: T- T+ B- B+, coding L: 1010	
8TB4104.222L-10	4-pin push-in terminal block, 1-row, pitch: 10.16 mm, label 2: PE L3 L2 L1, coding L: 1010	
8TB4104.224G-10	4-pin push-in terminal block, 1-row, pitch: 10.16 mm, label 4: PE W V U, coding G: 0110	
	Terminals	
8TB3102.222C-20	2-pin push-in terminal block, 1-row, with locking mechanism, pitch: 7.62 mm, label 2: COM 24 V, coding C: 10	
8TB3202.222C-40	2-pin push-in terminal block, 2-row, with locking mechanism, pitch: 7.62 mm, label 2: COM 24 V, coding C: 10	
8TB4103.222A-10	3-pin push-in terminal block, one-row, pitch: 10.16 mm, label 2: PE RB- RB+, coding A: 000	
8TB4104.227F-10	4-pin push-in terminal block, 1-row, pitch: 10.16 mm, label 4: DC-, DC-, DC+, DC+ coding F: 0101	
8TB4204.202L-10	4-pin push-in screw terminal block, two-row, pitch: 10.16 mm, label 2: PE L3 L2 L1, coding L: 1010	

Table 1: 8EI024HWSS0.XXXX-1 - Order data

2 Technical data

Order number	8EI024HWSS0.XXXX-1
General information	
Support	
Dynamic node allocation (DNA)	Yes
Slots for plug-in modules	1
Certifications	
CE	Yes
UKCA	Yes
UL	cULus E225616 Power conversion equipment
Mains connection	
Network configurations	TT, TN, TN-S, TN-C-S, IT ¹⁾
Mains input voltage	3x 200 VAC to 480 VAC ±10%
Frequency	50 / 60 Hz ±4%
Installed load	Max. 18.7 kVA
Inrush current	Max. 100 A
Switch-on interval	120 s
Integrated line filter per EN 61800-3, category C3	No ²⁾
Terminal connection cross section	
Flexible and fine-stranded wires	
With wire end sleeve	0.75 to 16 mm ²
Approbation data	
UL/C-UL-US	20 to 4 AWG
CSA	20 to 4 AWG
Power dissipation at device nominal power without braking resistor	$[81 \text{ W} + 9.7 \text{ V} * I_{AX1} + 8.4 \text{ W/kW} * P_{AVG} + 0.25 \Omega * I_{BR1}^2 + P_{VSL0T}] * 1.1$ ³⁾
Max. line length	3 m ⁴⁾
DC bus connection	
Continuous power ⁵⁾	10 kW ⁶⁾
Reduction of continuous power depending on mains input voltage	
Mains input voltage <3x 400 VAC	10 kW * (Mains input voltage [V] / 400 V)
DC bus capacitance	1680 µF
Terminal connection cross sections	
Flexible and fine-stranded wires	
With wire end sleeves	0.75 to 16 mm ²
Approbation data	
UL/C-UL-US	20 to 4 AWG
CSA	20 to 4 AWG
Max. line length	3 m ⁷⁾
24 VDC power supply	
Input voltage	24 VDC ±25%
Input capacitance	5500 µF
Current consumption	2 A + Current for motor holding brake ⁸⁾
Terminal connection cross sections	
Flexible and fine-stranded wires	
With wire end sleeves	0.25 to 4 mm ²
Approbation data	
UL/C-UL-US	24 to 8 AWG
CSA	24 to 8 AWG
Max. line length	30 m
Motor connection	
Quantity	1
Continuous power per motor connection ⁹⁾	10 kW ⁶⁾
Continuous current per motor connection ⁹⁾	24 A _{eff}
Accuracy of the safe current ¹⁰⁾	
Safety function SLT ¹¹⁾	
SIL 2 / PL d / Cat. 3 ¹²⁾	Hardware upgrade 1.10.2.x: 8.450 A Hardware upgrade 1.10.3.0 or later: 6.943 A
SIL 2 / PL d / Cat. 2 ¹²⁾	3.301 A
Safety function SBT ¹¹⁾	
SIL 2 / PL d / Cat. 3 ¹²⁾	Hardware upgrade 1.10.2.x: 7.489 A Hardware upgrade 1.10.3.0 or later: 5.944 A
SIL 2 / PL d / Cat. 2 ¹²⁾	2.498 A

Table 2: 8EI024HWSS0.XXXX-1 - Technical data

Order number	8EI024HWSS0.XXXX-1
Reduction of continuous current depending on ambient temperature	
Mains input voltage: 400 VAC	
Switching frequency 5 kHz	1.6 A/K (starting at 52°C) ¹³⁾
Switching frequency 10 kHz	0.45 A/K (starting at 35°C) ¹³⁾
Switching frequency 20 kHz	0.233 A/K (starting at -26°C) ¹³⁾
Mains input voltage: 480 VAC	
Switching frequency 5 kHz	1.4 A/K (starting at 51°C) ¹³⁾
Switching frequency 10 kHz	0.39 A/K (starting at 31°C) ¹³⁾
Switching frequency 20 kHz	0.22 A/K (starting at -43°C) ¹³⁾
Reduction of continuous current depending on installation elevation	
Starting at 500 m above sea level	2.4 A _{eff} per 1000 m
Peak current per motor connection	60 A _{eff}
Peak power output	25 kW
Nominal switching frequency	5 kHz
Possible switching frequencies ¹⁴⁾	2.5 / 5 / 10 / 20 kHz ¹⁵⁾
Insulation stress of the connected motor per IEC TS 60034-25:2004	Limit value curve A ¹⁶⁾
Protective measures	
Overload protection	Yes
Short-circuit and ground fault protection	Yes
Max. output frequency	598 Hz ¹⁷⁾
Variant	
U, V, W, PE	Connector
Shield connection	Yes
	Clamping range of the grounding clamp: 17 to 30 mm
Terminal connection cross section	
Flexible and fine-stranded wires	
With wire end sleeve	0.75 to 16 mm ²
Approbation data	
UL/C-UL-US	20 to 4 AWG
CSA	20 to 4 AWG
Max. motor line length depending on switching frequency	
Switching frequency 5 kHz	75 m
Switching frequency 10 kHz	35 m
Switching frequency 20 kHz	20 m
Motor holding brake connection	
Quantity	1
Output voltage ¹⁸⁾	Depends on the input voltage on connector X2
Continuous current per connection	6.5 A
Max. internal resistance	0.25 Ω
Extinction potential	Approx. 30 V
Max. extinction energy per switching operation	15 Ws
Max. switching frequency	0.5 Hz
Terminal connection cross section	
Flexible and fine-stranded wires	
With wire end sleeve	0.75 to 16 mm ²
Approbation data	
UL/C-UL-US	20 to 4 AWG
CSA	20 to 4 AWG
Protective measures	
Overload and short-circuit protection	Yes
Open-circuit monitoring	Yes
Undervoltage monitoring	Yes
Response threshold for open-circuit monitoring	Approx. 120 mA
Response threshold for undervoltage monitoring	Approx. 23 V
Max. breaking current SBC	200 mA
Max. line length	75 m ¹⁹⁾
Braking resistor²⁰⁾	
Peak power output	45 kW
Continuous power	4 kW
Minimum braking resistance (ext.)	13 Ω
Protective measures	
Overload protection	No
Short-circuit and ground fault protection	Short-circuit protection: Yes Ground fault protection: No
Max. line length	3 m
Fieldbus	
Type	POWERLINK V2 controlled node (CN)
Variant	2x RJ45, shielded, 2-port hub

Table 2: 8EI024HWSS0.XXXX-1 - Technical data

8EI024HWSS0.XXXX-1

8EI024HWSS0.XXXX-1	
Order number	8EI024HWSS0.XXXX-1
Line length	Max. 100 m between 2 stations (segment length)
Transfer rate	100 Mbit/s
Encoder interfaces	
Quantity	1
Type	Digital multi-encoder interface, configurable ²¹⁾
Connections	8-pin female Mini I/O connector
Status indicators	None ²²⁾
Electrical isolation	
Encoder - ACOPOS P3	No
Max. encoder cable length	75 m Depends on the cross section of the power supply wires in the encoder cable ²³⁾
Encoder power supply	
Output voltage	Configurable Typ. 11.45 V ±0.1 V / 5.2 V ±0.1 V ²⁴⁾²⁵⁾
Load capacity	Max. 300 mA
Sense lines	2, compensation of max. 2x 0.7 V
Protective measures	
Short-circuit proof	Yes
Overload-proof	Yes
Synchronous serial interface	
Signal transmission	RS485 ²⁶⁾
Data transfer rate	Depends on the configured encoder type
Differential voltage ²⁷⁾	
Minimum	2.0 V
Maximum	6.0 V
Max. power consumption per encoder interface	$P_{\text{ENCODER}} [\text{W}] = U_{24\text{V}} [\text{V}] * (I_{\text{ENCODER}} [\text{A}] * 0.7) + 0.5 \text{ W}$ ²⁸⁾
Trigger inputs	
Quantity	2
Circuit	Sink
Electrical isolation	
Input - ACOPOS P3	Yes
Input - Input	Yes
Input voltage	
Nominal	24 VDC
Maximum	30 VDC
Switching threshold	
Low	<5 V
High	>15 V
Input current at nominal voltage	7 mA
Switching delay	
Rising edge	<51 μs
Falling edge	<52 μs
Modulation compared to ground potential	Max. ±38 V
Terminal connection cross section	
Flexible and fine-stranded wires	
With wire end sleeve	0.25 to 2.5 mm ²
Approbation data	
UL/C-UL-US	26 to 12 AWG
CSA	26 to 12 AWG
Max. line length	100 m
Temperature sensor connection	
Quantity	1
Resistance range	500 Ω to 5 kΩ
Support	
Motion system	
mapp Motion	5.03.0 and higher
ACP10/ARNC0	5.03.0 and higher
Electrical properties	
Energy efficiency (IE classification) ²⁹⁾	
Power dissipation relative to continuous apparent power ³⁰⁾	IE2 (10,25) 1.2% IE2 (50,25) 1.2% IE2 (10,50) 1.4% IE2 (50,50) 1.4% IE2 (90,50) 1.5% IE2 (10,100) 2% IE2 (50,100) 2.2% IE2 (90,100) 2.4%
Nominal losses in standby mode	15.8 W
Operating conditions	
Permissible mounting orientations	
Hanging vertically	Yes
Standing horizontally	Yes

Table 2: 8EI024HWSS0.XXXX-1 - Technical data

Order number	8EI024HWSS0.XXXX-1
Installation elevation above sea level	
Nominal	0 to 500 m
Maximum	4000 m ³¹⁾
Pollution degree per EN 61800-5-1	2 (non-conductive pollution)
Overvoltage category per EN 61800-5-1	III
Degree of protection per EN 60529	IP20 ³²⁾
Ambient conditions	
Temperature	
Operation	
Minimum	-25°C ³³⁾
Nominal	5 to 40°C
Maximum	55°C
Storage	-25 to 55°C
Transport	-25 to 70°C
Relative humidity	
Operation	5 to 85%, non-condensing
Storage	5 to 95%
Transport	95% at 40°C
Mechanical properties	
Dimensions	
Width	133 mm
Height	374 mm
Depth	
Wall mounting	258.5 mm (with 8EXA front cover: 261 mm)
Weight	8 kg

Table 2: 8EI024HWSS0.XXXX-1 - Technical data

- Operation on TT and IT power systems and on TN power systems that are not grounded to a star point is only permitted for 8EI servo drives with 8ZELxxxx Rev. D0 and higher. See the device information on the left side cover of the 8EI servo drive. Remove IT jumper X10 before operating in IT networks!
- A line filter must be connected.
CE compliance can only be ensured by connecting an upstream B&R line filter (8B0F...).
In extreme cases, using line filters from 3rd-party manufacturers can result in irreparable damage to the ACOPOS P3 8EI servo drive.
- Valid for a switching frequency of 5 kHz and nominal input voltage of 3x 400 VAC. Without losses in the line filter, motor cable and motor.
P_{AVG} ... Average continuous power of the module
I_{AX1} ... RMS value of the current on axis 1
I_{BRL} ... Nominal current of the motor holding brake for axis 1
P_{VSL0T} ... Power dissipation of the 8EAC plug-in module
- Maximum cable length between line filter and mains connection on the module.
- Valid for mains input voltage ≥3x 400 VAC.
The sum of the continuous power values on all motor connections and the power of the DC bus connector is not permitted to exceed this value.
- The continuous power is reduced as a percentage of the continuous current if the continuous current is subject to derating.
- This value applies to unshielded wiring inside a control cabinet.
Maximum length of the DC bus wiring inside a control cabinet.
- Current consumption depends on the respective configuration of the ACOPOS P3 8EI servo drive.
The inrush current of the 24 VDC power supply is not limited by the module.
- Valid under the following conditions: 560 VDC DC bus voltage, 5 kHz switching frequency, 40°C ambient temperature, installation elevation <500 m above sea level, no derating due to cooling type.
- The accuracy of the safe current is relevant for safety functions SLT and SBT, which are based on the safe current measurement. Safety functions SBT, SLT and SSO are available starting with hardware upgrade 1.10.2.0 and only for 8EI servo drives with 8ZELxxxx revision D0 or later. See the device information on the left side cover of the servo drive.
- This safety function is certified for ACOPOS P3 per category 3 as well as category 2 of EN ISO 13849. Depending on the desired category, the corresponding accuracy of the safe current and corresponding safety characteristics must be used.
- These values apply up to the continuous current specified in the technical data (taking into account the respective derating specifications).
- The module cannot supply the full continuous current at this switching frequency. This unusual value for the ambient temperature, at which derating of the continuous current must be taken into account, ensures that the derating of the continuous current can be determined in the same manner as at other switching frequencies.
- B&R recommends operating the module at its nominal switching frequency. Operating the module at a higher switching frequency for application-specific reasons reduces the continuous current and increases CPU utilization.
- Switching frequency 2.5 kHz is only available for 8EI servo drives with 8ZESxxxx Rev. D0 and higher.
- Only applies when using B&R motor cables and B&R motors.
- The module's electrical output frequency (SCTRL_SPEED_ACT * MOTOR_POLEPAIRS) is monitored to protect against dual use in accordance with Council Regulation (EC) 428/2009 | 3A225. If the electrical output frequency of the module exceeds the limit value of 598 Hz uninterrupted for more than 0.5 s, then the current movement is aborted and error 6060 is output ("Power unit: Limit speed exceeded").
- At values <22.9 V, under voltage monitoring is triggered and the servo drive signals error 6029 or 6055. In this case, the input voltage at connection X2 (24 VDC power supply) is too low and must be increased.
- During configuration, it is necessary to check if the minimum voltage can be maintained on the holding brake with the intended cable length. For the permissible operating voltage range of the holding brake, see the user documentation for the motor being used.
- This values apply to an external braking resistor. This module is not equipped with an internal braking resistor.
- The encoder type is not predefined from the factory. The encoder type necessary in each case must be configured in Automation Studio.
- The direction of rotation of the encoder can be displayed on the 8EAD0000.000-1 display module.
- Maximum encoder cable length I_{max} can be calculated as follows (the maximum permissible encoder cable length of 75 m is not permitted to exceeded):

$$I_{\max} = f / I_G * A * 1 / (2 * \rho)$$

- f ... (Output voltage of encoder interface [V] - Min. permissible supply voltage of connected encoder [V]) * 1.1
- I_G ... Max. current consumption of the connected encoder [A].
- A ... Cross section of the power supply wires [mm²]
- ρ ... Specific resistance [Ω mm²/m] (e.g. for copper: ρ = 0.0178)
- 24) The output voltage is not predefined from the factory (with the exception of encoder types EnDat 2.2, EnDat 3.0 and HIPERFACE DSL). It must be configured in Automation Studio based on the encoder type. If no output voltage is configured, then the encoder will not be supplied by digital multi-encoder interface X4x. Power to the encoder can then be supplied externally.
- 25) Output voltage 5.2 V is only available under the following conditions:
 - 8EI servo drive with 8ZECxxx revision D0 and higher - see the device information on the left side cover of the 8EI servo drive
 - ACOPOS operating system 3.15.0 and higher (for 8EIxxxxxD... 2-axis modules and 8EIxxxxT... 3-axis modules)
 - ACOPOS operating system 3.17.0 and higher (for 8EIxxxxS... 1-axis modules)
- 26) Except encoder type HIPERFACE DSL.
- 27) Values valid for clock output and data input. Except encoder type HIPERFACE DSL.
- 28) I_{ENCODER} ... Current consumption of the encoder
U_{24V} ... Input voltage on the +24 VDC input of the module
- 29) The IE classification of the module is based on drive losses. This includes components such as EMC filters, etc. The power dissipation was determined at a switching frequency of 5 kHz (factory setting). Classification is performed at 90% of the frequency and at 100% of the continuous current. When operating the module in connection with an induction motor, the module is only permitted to be operated with a switching frequency of 5 kHz.
- 30) Continuous apparent power S[VA] = √3 * U_{Mains}[V_{rms}] * I_{Mains}[A_{rms}]. IE2 notation (a; b) stands respectively for a load point with frequency a (as a percentage of the nominal frequency of the motor) and current b (as a percentage of the continuous current).
- 31) For operation on phase-grounded/center-grounded delta networks (TT and TN) and IT networks, the value is reduced to 2000 m.
- 32) The specified degree of protection is only met if either the slot cover is installed on the module or an 8EAC plug-in module is installed and suitable terminals are connected to all connectors and all fans are installed.
- 33) Only permitted for modules with 8ZEL ... Revision D0 and higher. See the device information on the left side cover of the module. During storage or transport, sudden temperature changes may cause condensation or icing in the module. The module is only permitted to be commissioned if it is free of condensation or icing at the time of commissioning.

3 Status indicators

3.1 SafeMOTION 1-axis modules



Figure 1: 8EI SafeMOTION servo drives - Status indicators

3.2 POWERLINK - LED status indicators

Label	Color	Description	
PLK	Green	Blinking green (1x)	The client detects a valid POWERLINK frame on the network.
		Blinking green (2x)	Cyclic operation on the network, but the client itself is not yet in cyclic operation.
		Blinking green (3x)	Cyclic operation of the client is in preparation.
		Solid green	The client is in cyclic operation.
		Flickering green	The client is not in cyclic operation and also does not detect any other stations on the network in cyclic operation.
	Red	Solid red	The POWERLINK node number of the module is 0.
		Blinking red/green	The client is in an error state (drops out of cyclic operation).
Orange	Solid orange	Module booting	

Table 3: POWERLINK - LED status indicators

3.3 Ax1/Ax2/Ax3 - LED status indicators

Label	Color	Function	Description	
Ax1 Ax2 Ax3	Green	Ready	Solid green	The module is ready for operation and the power stage can be enabled (operating system present and booted, no pending permanent or temporary errors).
			Blinking green	The module is not ready for operation. Examples: <ul style="list-style-type: none"> • No signal on one or both enable inputs • DC bus voltage outside the tolerance range • Overtemperature on the motor (temperature sensor) • Motor feedback not connected or defective • Motor temperature sensor not connected or defective • Overtemperature on the module (IGBT junction, heat sink, etc.) • Disturbance on network
	Red	Error	Solid red	There is a permanent error on the module. Examples: <ul style="list-style-type: none"> • Permanent overcurrent • Data in EPROM not valid
			Blinking red	Burning ACOPOS P3 operating system
	Orange	Run	Solid orange	The module's power stage is enabled.
---	---	LED off	No voltage being supplied to module	

Table 4: Ax1/Ax2/Ax3 - LED status indicators

3.4 LED state during startup

The following intervals are used for the LED status indicators:

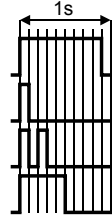
Width of box: 50 ms

Repeats after: 3,000 ms

Status	Ax1/Ax2/Ax3	Display
1. Boot procedure for base hardware active	Green	[Grid]
	Orange	[Grid]
	Red	[Red bar]
2. Waiting for network telegram	Green	[Grid]
	Orange	[Grid]
	Red	[Red bar]
3. Network communication active	Green	[Grid]
	Orange	[Grid]
	Red	[Red bar]
4. ACOPOS operating system being transferred/burned	Green	[Grid]
	Orange	[Grid]
	Red	[Red bar]
Ax1/Ax2/Ax3 PLK		
5. Module booting	Green	[Grid]
	Orange	[Orange bar]
	Red	[Grid]
6. Module ready for operation	Green	[Green bar]
	Orange	[Grid]
	Red	[Grid]

Table 5: LED state during startup

3.5 R/E and SE - LED status indicators

LED	Color	Description
R/E	Green	Red
	Off	Off
	Single flash	
	Double flash	
	Blinking	
	On	
	On	Single flash, inverse
		Triple flash, inverse
		On
		On
SE	Off	Error
	Red	Off
		
		On
		Non-acknowledgeable error state, FAIL SAFE state

The two "SE" indicators are two separate LEDs that show the states of safety processor 1 and safety processor 2.

Table 6: R/E and SE - LED status indicators

4 Installation

4.1 SafeMOTION double-width modules - Dimension diagram

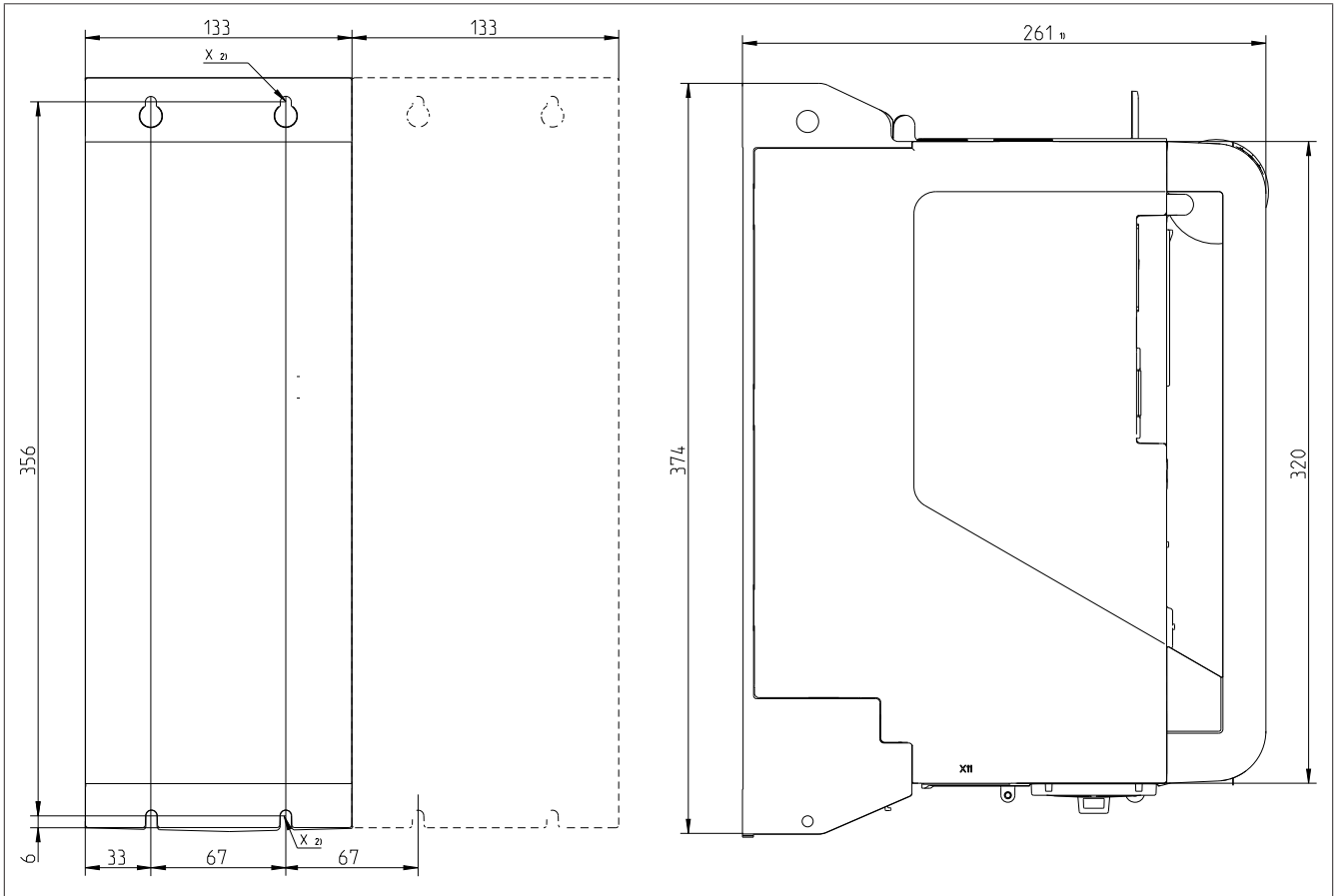


Figure 2: SafeMOTION double-width modules - Dimension diagram

- 1) Without front cover: 258.5 mm
- 2) Hole for M5 screws.

4.2 Installation dimensions

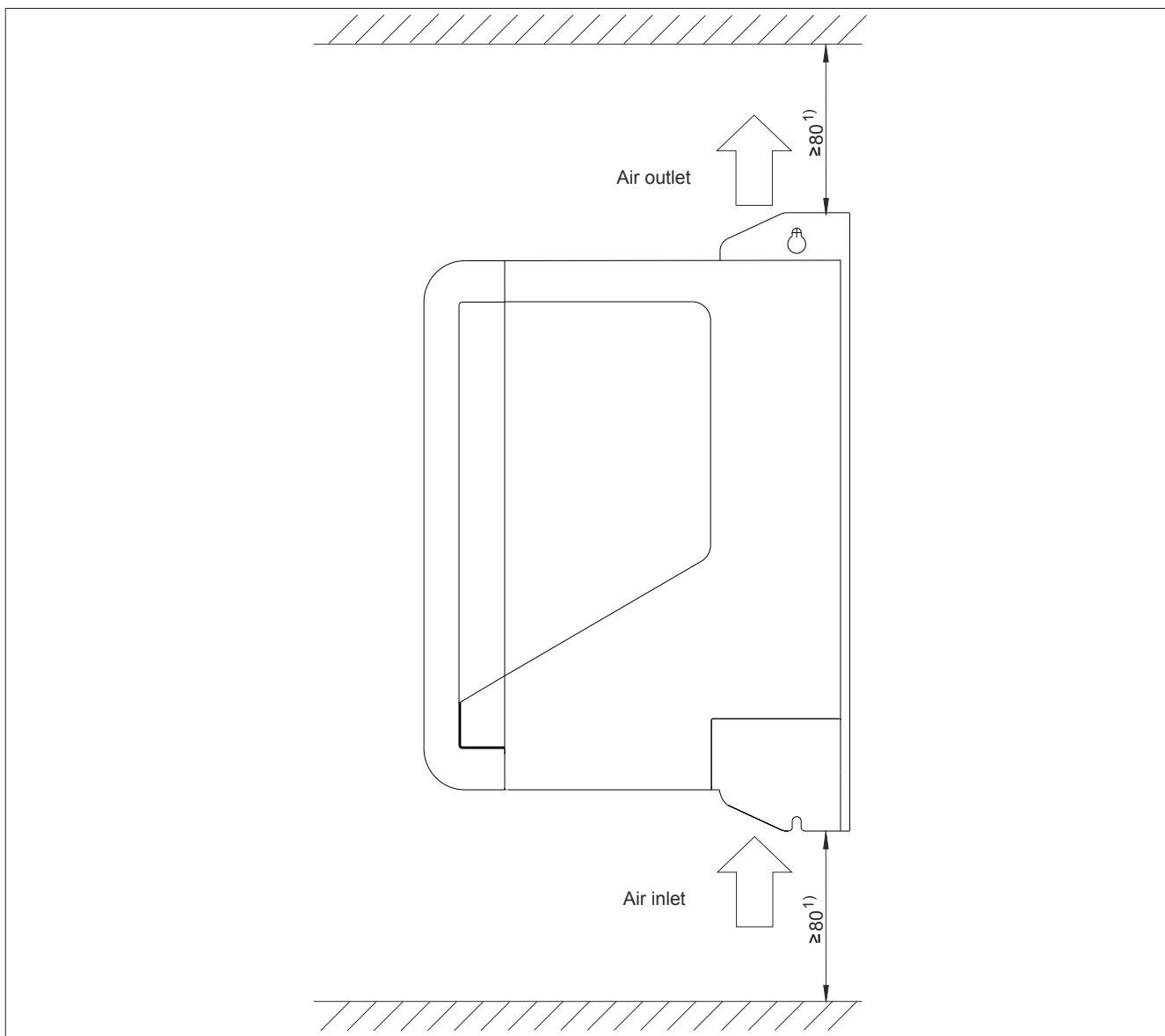


Figure 3: ACOPOS P3 8EI servo drives - Installation dimensions

- 1) For sufficient air circulation, a clearance of at least 80 mm must be provided above and below the module.
 In order to connect display module 8EAD0000.000-1 to the module without problems, spacing of at least 100 mm is necessary above the module.
 In order to ensure easy wiring (taking all minimum bend radii into account), spacing of at least 200 mm is necessary below the module.



Caution!

Cooling air exiting the 8EI servo drive can have a temperature up to 90°C. Any components installed near the air outlet must be designed to withstand these high temperatures!

5 Wiring

5.1 Pinout overview

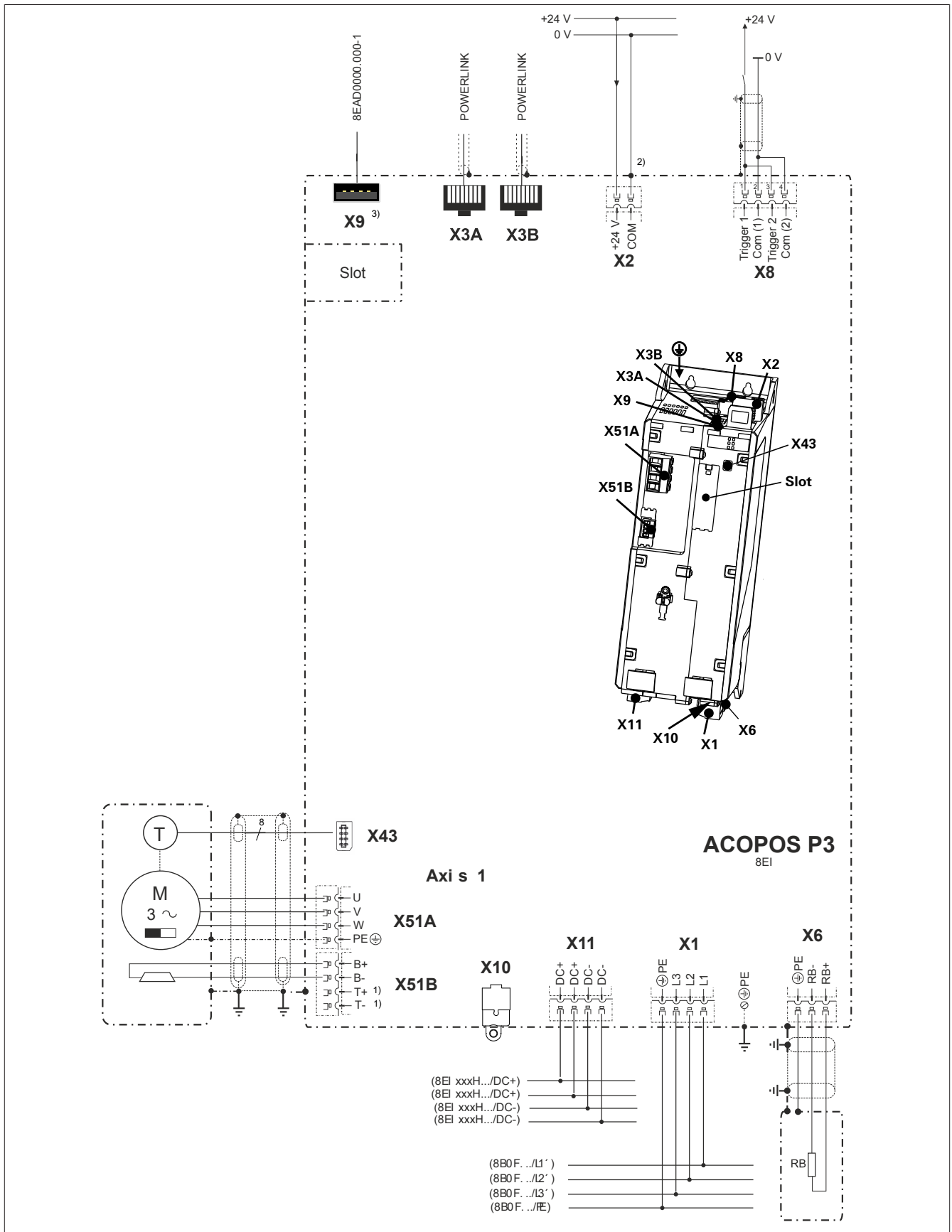


Figure 4: Mains input voltage - 3x 200 to 480 VAC

- 1) A temperature sensor does not need to be connected when using 8ECHxxx hybrid motor cables since the motor temperature is transferred digitally.
- 2) The COM connection on connector X2 must be grounded to achieve a defined relationship between the signal ground and ground potential!
- 3) Only 8EAD0000.000-1 display modules are permitted to be connected to connector X9!

5.2 Connector X1 - Pinout

The X1 connector is never permitted to be connected to the mains.

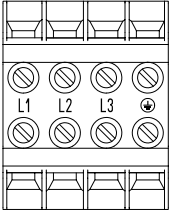
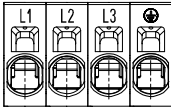
X1		Description	Function
 <p>8TB4204.202L-10</p>	 <p>8TB4104.222L-10</p>	L1	DC bus connection DC-
		L2	DC bus connection DC-
		L3	DC bus connection DC-
		PE	Protective ground conductor
		Tightening torque for the terminal screws [Nm]: 1.7 to 1.8 (two-row connectors only)	

Table 7: Connector X1 - Pinout



Information:

Strain relief is required for the cable when using the 2-row connector.



Danger!

During operation, the contacts of connector X1 carry a high voltage if connector X11 is connected. Touching one of these contacts can result in a life-threatening electric shock. This could result in death or severe injury.

For this reason, terminal block 8TB3106.222B-20, 8TB3106.223C-20, 8TB3206.222B-40, 8TB3206.223C-40, 8TB4104.222L-10 or 8TB4204.202L-10 must always be connected to connector X1 during operation.

5.2.1 Mains connection

3x 200 - 480 VAC

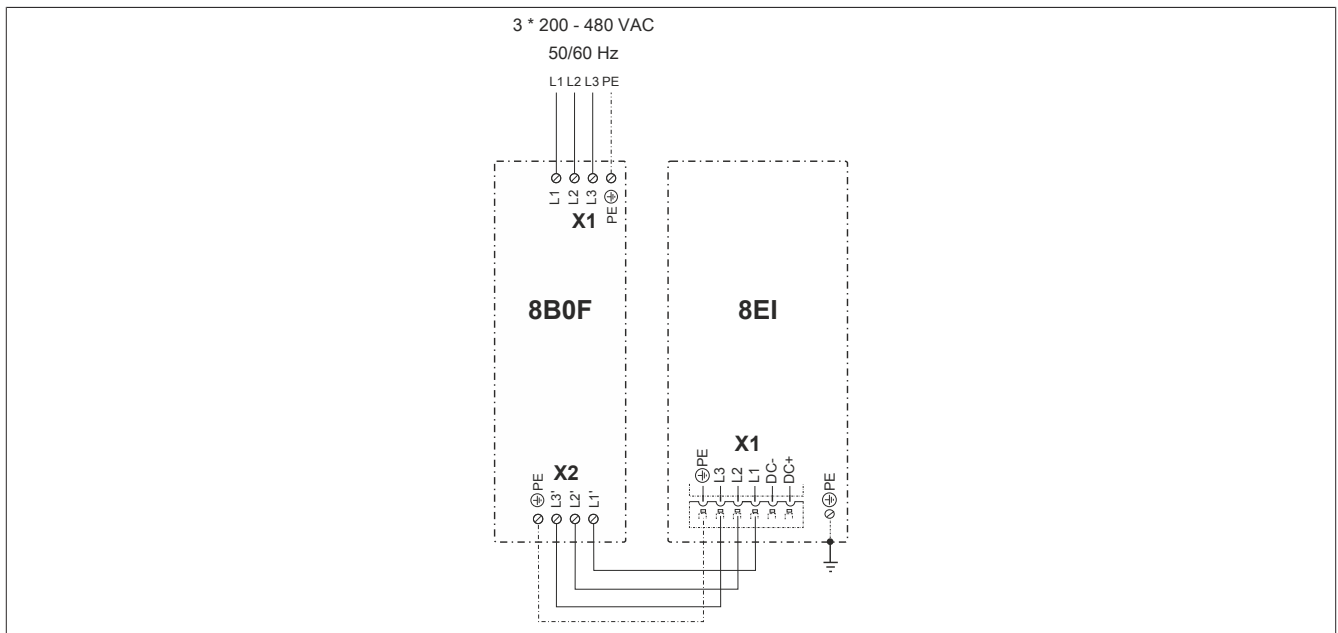


Figure 5: Mains connection 3x 200 - 480 VAC

5.3 Connector X2 - Pinout



X2		Name	Function
 8TB3202.222C-40	 8TB3102.222C-20	COM	0 V power supply
		24 V	+24 V power supply

Table 8: Connector X2 - Pinout

5.4 Connectors X3A, X3B - Pinout


X3A, X3B	Pin	Name	Function
 1	1	RXD	Receive signal
	2	RXD\	Receive signal inverted
	3	TXD	Transmit signal
	4	Shield	Shield
	5	Shield	Shield
	6	TXD\	Transmit signal inverted
	7	Shield	Shield
	8	Shield	Shield

Table 9: X3A, X3B connectors - Pinout

5.5 SafeMOTION connector X4x - Pinout

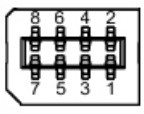
X4x	Pin	Description	Function depending on configured encoder type			
			EnDat SafeMOTION	EnDat 2.2	SSI	BISS
	1	U+	Encoder power supply +			
	2	T	Clock output			
	3	---			Sense input +5 V ¹⁾	
	4	T\	Clock output inverted			
	5	---			Sense input 0 V ¹⁾	
	6	D	Data			
	7	COM	Encoder power supply 0 V			
	8	D\	Data inverted			

Table 10: Connector X4x - Pinout

1) Only if the encoder supply voltage (5 V) is configured accordingly.

5.6 Connector X51A - Pinout

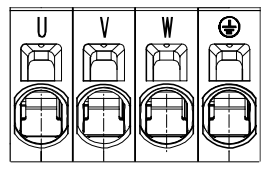
X51A	Description	Function
 8TB4104.224G-10	PE	Protective ground conductor
	U	Motor connection U
	V	Motor connection V
	W	Motor connection W

Table 11: Connector X51A - Pinout

5.7 Connector X51B - Pinout

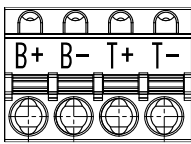
X51B	Description	Function
 <p>8TB2104.223L-00</p>	B+	Brake +
	B-	Brake -
	T+	Temperature sensor + ¹⁾
	T-	Temperature sensor - ¹⁾

Table 12: Connector X51B - Pinout

1) A temperature sensor does not have to be connected when using the module's internal EnDat 2.2 encoder connection since the motor temperature is transmitted digitally via the X4x encoder connection (e.g. when using 8ECH hybrid motor cables).



Danger!

The connections for the motor temperature sensors and the motor holding brake are safely isolated circuits. As a result, only devices or components that have at least safe isolation per IEC 60364-4-41 or EN 61800-5-1 are permitted to be connected to these connections.



Caution!

If B+ and B- are swapped when connecting the permanent magnet holding brakes, then the brakes cannot be opened! ACOPOS P3 servo drive modules cannot determine if a holding brake is connected with reverse polarity!

5.8 Connector X6 - Pinout

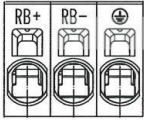
X6	Description	Function
 <p>8TB4103.222A-10</p>	PE	Protective ground conductor
	RB-	Braking resistor -
	RB+	Braking resistor +

Table 13: Connector X6 - Pinout



Danger!

During operation, the contacts of connector X6 carry dangerous voltages greater than 60 VDC. Touching one of these contacts can result in a life-threatening electric shock. This could result in death or severe injury.

For this reason, terminal block 8TB3103.222A-20 or 8TB4103.222A-10 must always be connected to connector X6 during operation.

5.9 Connector X8 - Pinout

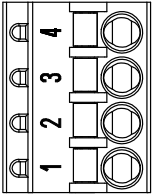
X8	Pin	Name	Function
 <p>8TB2104.2210-00</p>	1	Trigger 1	Trigger 1
	2	COM (1)	Trigger 1 0 V
	3	Trigger 2	Trigger 2
	4	COM (2)	Trigger 2 0 V

Table 14: Connector X8 - Pinout

5.10 IT jumper X10



Caution!

Remove IT jumper X10 before using the 8EI servo drive in IT power systems!

Procedure

- 1) Loosen and remove the locking screw on IT jumper X10.
- 2) Pull IT jumper X10 out of the 8EI servo drive.

5.11 Connector X11 - Pinout

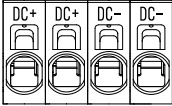
X11	Description	Function
 <p>8TB4104.227F-10</p>	DC+	DC bus connection DC+
	DC+	DC bus connection DC+
	DC-	DC bus connection DC-
	DC-	DC bus connection DC-

Table 15: Connector X11 - Pinout



Danger!

During operation, the contacts of connector X11 carry dangerous voltages greater than 60 VDC. Touching one of these contacts can result in a life-threatening electric shock. This could result in death or severe injury.

For this reason, terminal block 8TB4104.227F-10 must always be connected to connector X11 during operation.



Warning!

Only DC bus circuits of 8EI servo drives with the same supply voltage range are permitted to be connected.