



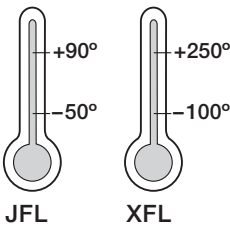
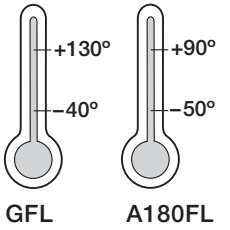
With this design it is possible to use iglidur® high performance plain bearings in locations where recommended housing bore tolerances are not possible.

iglidur® Flange Bearings

1 style
> 5 dimensions
Ø 10–35 mm



Phone +44 (0) 1604 - 67 72 40
Fax +44 (0) 1604 - 67 72 45



iglus® UK Ltd



When to use iglidur® Flange Bearings:

- Maintenance-free
- Very good wear resistance
- Very high temperature resistance
- Resistant to dirt, dust, and lint
- Corrosion resistant
- Vibration dampening
- Used for rotating and linear movements
- Very light weight
- Easy installation
- Inner diameter of 10 mm to 35 mm available. Can also be used in bores with larger tolerances



When not to use iglidur® Flange Bearings:

- When alignment compensation is necessary
igubal® Flange Bearings ► chapter 54



Picture 34.1: iglidur® Flange Bearing



Available materials:

- iglidur® G ► chapter 2
- iglidur® A180 ► chapter 7
- iglidur® J ► chapter 3
- iglidur® X ► chapter 6

Internet www.igus.de
E-mail info@igus.de



With this design it is possible to use iglidur® high performance plain bearings in locations where recommended housing bore tolerances are not possible.

Standard: iglidur® G

Due to the design of the bearing, high loads are possible although there is a minimal precision requirement of the housing. iglidur® maintenance-free flange bearings are made of iglidur® G but can also be manufactured by special order from the different iglidur® materials. In this way, all the advantages of the iglidur® high performance polymers can be used.

Installation

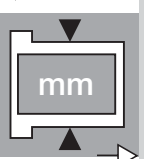
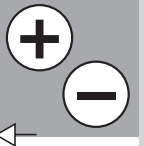
Depending on the requirements, different mounting types can be considered. For low radial loads, it is sufficient to mount iglidur® flange bearings on one surface simply with two bolts. For higher radial loads, it is advisable to support the iglidur® flange bearing in a bore on the reinforced side facing the direction of the load. For this bore, large tolerances are permitted, since it serves only as additional support for the iglidur® flange bearing. In order to achieve higher radial loads in the bearings, the iglidur® flange bearing can be pressfit into a recommended housing bore. The additional bolts ensure the fit of the bearing in the housing. For the installation of the iglidur® maintenance-free flange bearing, no special materials or tools are necessary.



Picture 34.2: The installation of iglidur® flange bearing, simple and secure

iglidur® Flange Bearings

Phone +44 (0) 1604 - 67 72 40
 Fax +44 (0) 1604 - 67 72 45





mm

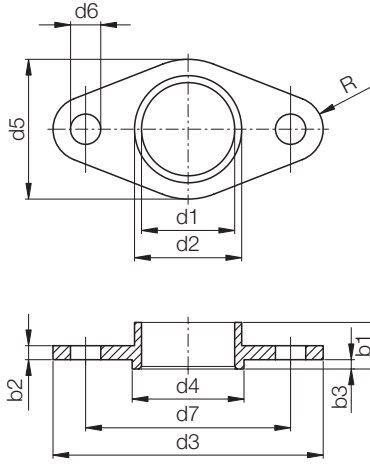
iglidur® Flange Bearings

Phone +44 (0) 1604 - 67 7240
Fax +44 (0) 1604 - 67 7245

iglus® UK Ltd

Internet www.igus.co.uk
E-mail sales_uk@igus.co.uk

34.4



Data in mm

Structure - part no.

G F L-10



Dimensions [mm]

iglidur® Flange Bearings

Part No.	d1 ¹⁾	d2 ²⁾	d3	d4	d5	d6	d7 (±0,2)	b1	b2	b3	R
GFL-10	10	12	30	14	15	4,5	22	6	2	1	4
GFL-12	12	14	36	16	18	4,5	26	6	2	1	4,5
GFL-14	14	16	42	18	21	5,5	30	6	2	1	5
GFL-16	16	18	48	20	24	5,5	34	6	2	1	5,5
GFL-18	18	20	54	22	27	6,5	39	6	2	1	7
GFL-20	20	23	60	26	30	6,5	44	10	3	2	7
GFL-25	25	28	75	30	35	6,5	55	10	3	2	8,5
GFL-30	30	34	90	36	40	8,5	66	10	3	2	10
GFL-35	35	39	95	41	55	8,5	77	10	3	2	12

Part No.	d1 ¹⁾	d2 ²⁾	d3	d4	d5	d6	d7 (±0,2)	b1	b2	b3	R
A180FL-10	10	12	30	14	15	4,5	22	6	2	1	4
A180FL-12	12	14	36	16	18	4,5	26	6	2	1	4,5
A180FL-16	16	18	48	20	24	5,5	34	6	2	1	5,5
A180FL-20	20	23	60	26	30	6,5	44	10	3	2	7
A180FL-25	25	28	75	30	35	6,5	55	10	3	2	8,5
A180FL-30	30	34	90	36	40	8,5	66	10	3	2	10
A180FL-35	35	39	95	41	55	8,5	77	10	3	2	12

Part No.	d1 ¹⁾	d2 ²⁾	d3	d4	d5	d6	d7 (±0,2)	b1	b2	b3	R
JFL-10	10	12	30	14	15	4,5	22	6	2	1	4
JFL-14	12	14	36	16	18	4,5	26	6	2	1	4,5
JFL-16	16	18	48	20	24	5,5	34	6	2	1	5,5
JFL-20	20	23	60	26	30	6,5	44	10	3	2	7
JFL-25	25	28	75	30	35	6,5	55	10	3	2	8,5
JFL-30	30	34	90	36	40	8,5	66	10	3	2	10
JFL-35	35	39	95	41	55	8,5	77	10	3	2	12

Part No.	d1 ¹⁾	d2 ²⁾	d3	d4	d5	d6	d7 (±0,2)	b1	b2	b3	R
XFL-10	10	12	30	14	15	4,5	22	6	2	1	4
XFL-12	12	14	36	16	18	4,5	26	6	2	1	4,5
XFL-16	16	18	48	20	24	5,5	34	6	2	1	5,5
XFL-20	20	23	60	26	30	6,5	44	10	3	2	7
XFL-25	25	28	75	30	35	6,5	55	10	3	2	8,5
XFL-30	30	34	90	36	40	8,5	66	10	3	2	10
XFL-35	35	39	95	41	55	8,5	77	10	3	2	12

1) Tolerance for d1: E10 (Plug gauge measurement)

2) Pressfit in H7 tolerance housing bore