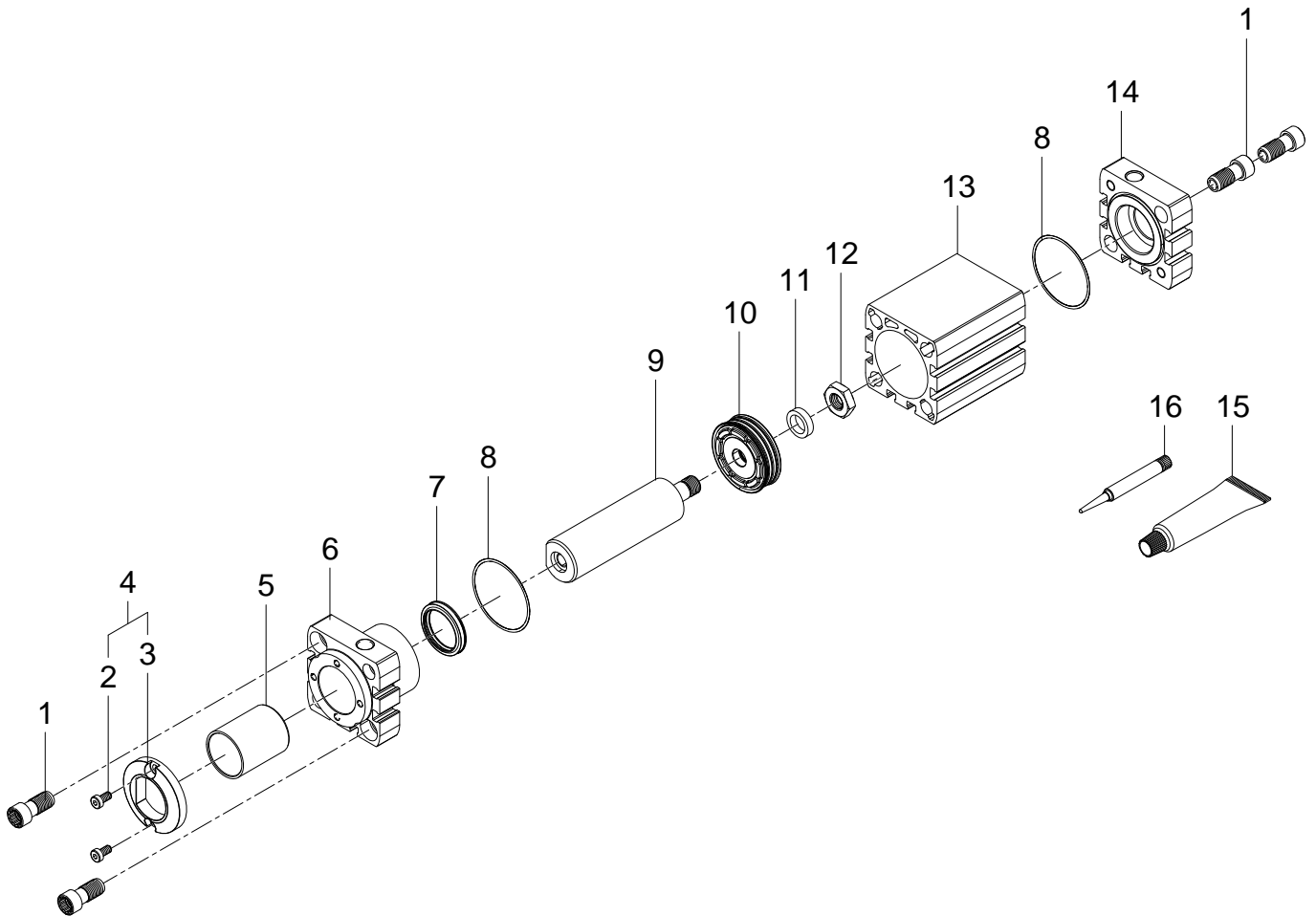


576138 DFSP-Q-40-20-DF-PA Stopper cylinder - Series: All



576138 DFSP-Q-40-20-DF-PA Stopper cylinder - Series: All

Pos.	Part no.	Type	Note	Qty.	Unit
A	8005118	DFSP-...-40 Set of wearing parts	Spare parts: 7, 8, 10, 15, 16	1	PC
1	658856	ADN-32/40 flange screw	Tightening torque 27 Nm / 19.9 lbf ft	4	PC
2		DIN 7984-M4X8-8.8 Socket head screw	Not available separately, see position 4 Use locking compound Loctite-243	2	PC
3		DFSP-Q-40 Ring	Not available separately, see position 4	1	PC
4	8005111	DFSP-Q-40 ET Ring		1	PC
5		XSM-2528-35 Plain bearing	Not available Grease using during assembly. See position 15	1	PC
6		DFSP-Q-40 Bearing cap module	Not available	1	PC
7	369544	WIFC1-25X30X4,6-TPE-U Wiper seal	Grease using during assembly. See position 15	1	PC
8		B-40X1,2-N-NBR75 O-ring ISO3601	Not available separately, see position A Grease using during assembly. See position 15	2	PC
9		IRA-25-X0052,0-S Piston rod	Not available Grease using during assembly. See position 15	1	PC
10		BA-K01D-040-A Piston module	Not available separately, see position A Grease using during assembly. See position 15	1	PC
11	356369	11 X 16 X 4 Ring		1	PC
12	211437	DIN 439-B-M10X1,25-04 Hex nut	Tightening torque 13.5 Nm / 10.0 lbf ft Use locking compound. See position 16	1	PC
13		DFSP-40-X Cylinder barrel	Not available Grease using during assembly. See position 15	1	PC
14		ADN-40 End cap	Not available	1	PC
15	684474	LUB-KC1 SILIKONFREI 20ML Lubricating grease		1	PC
16	8181256	CYBERBOND TM44 TB1ML Adhesive bonding agent		1	PC