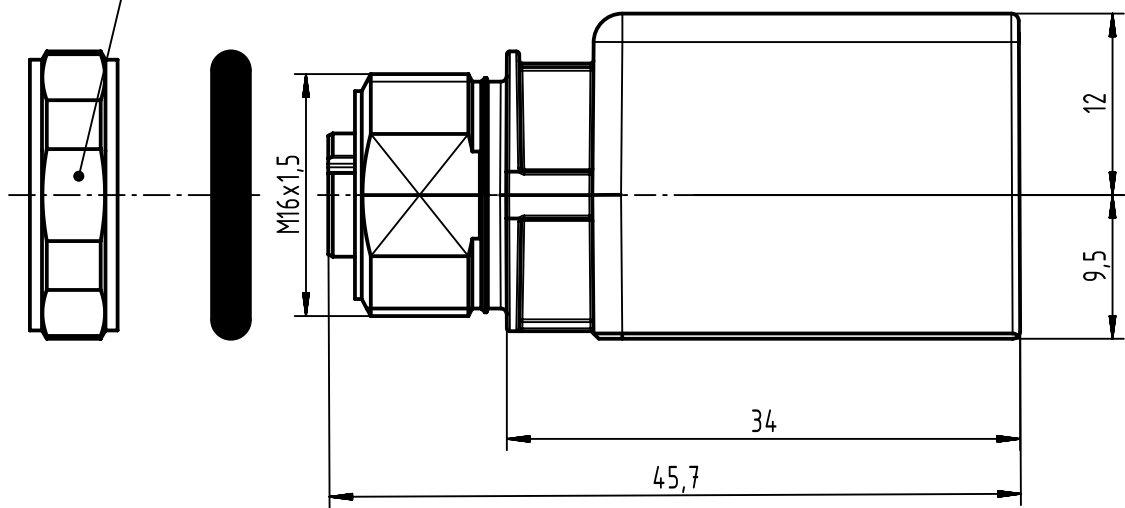


contact position — 1  
8

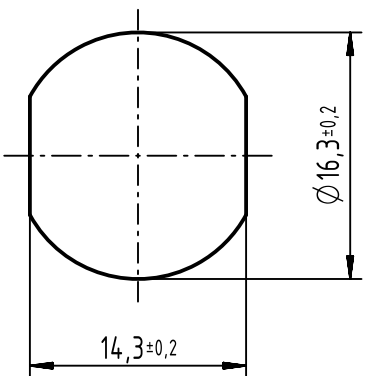
SW18  
width across flats

A →

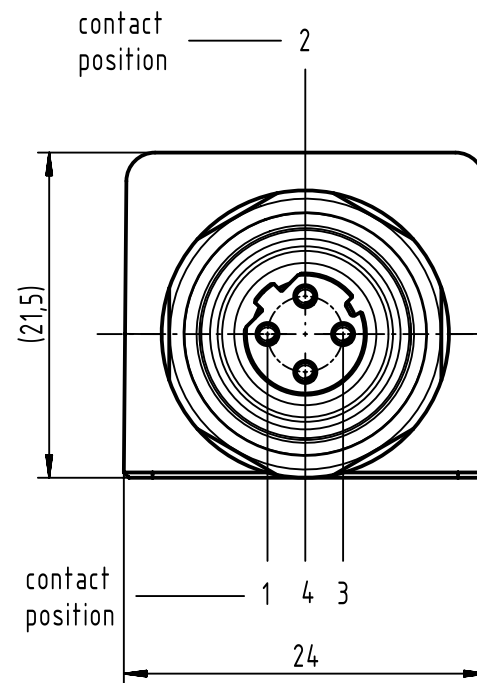
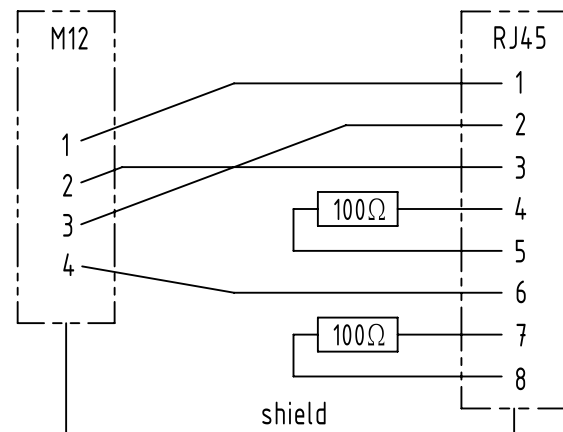


A

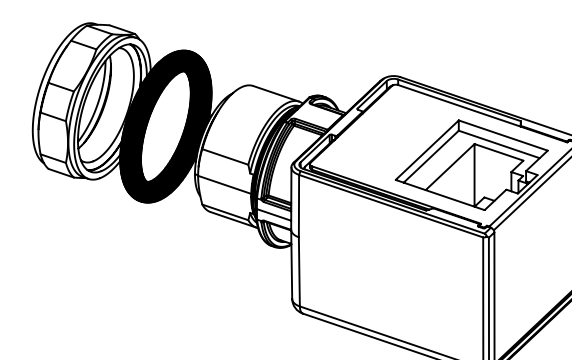
panel cut out



circuit diagram



contact position — 2  
contact position — 1 4 3  
24  
(21,5)



	All rights reserved Department EC PD - DE HARTING Electronics GmbH D-32339 Espelkamp	All Dimensions in mm Original Size DIN A3	Scale 2:1	Free size tol.	Ref. Sub. 21033814401 500000092825 2014.11.04
		Created by STORCK	Inspected by WELLMANN	Standardisation KOHLER	Date 2015-08-05
Title adapter M12-RJ45 angled					Doc-Key / ECM-Nr. 100513256/UGD/008/C 500000092825
Type TB		Number 21033814401			Rev. C Page 1/1