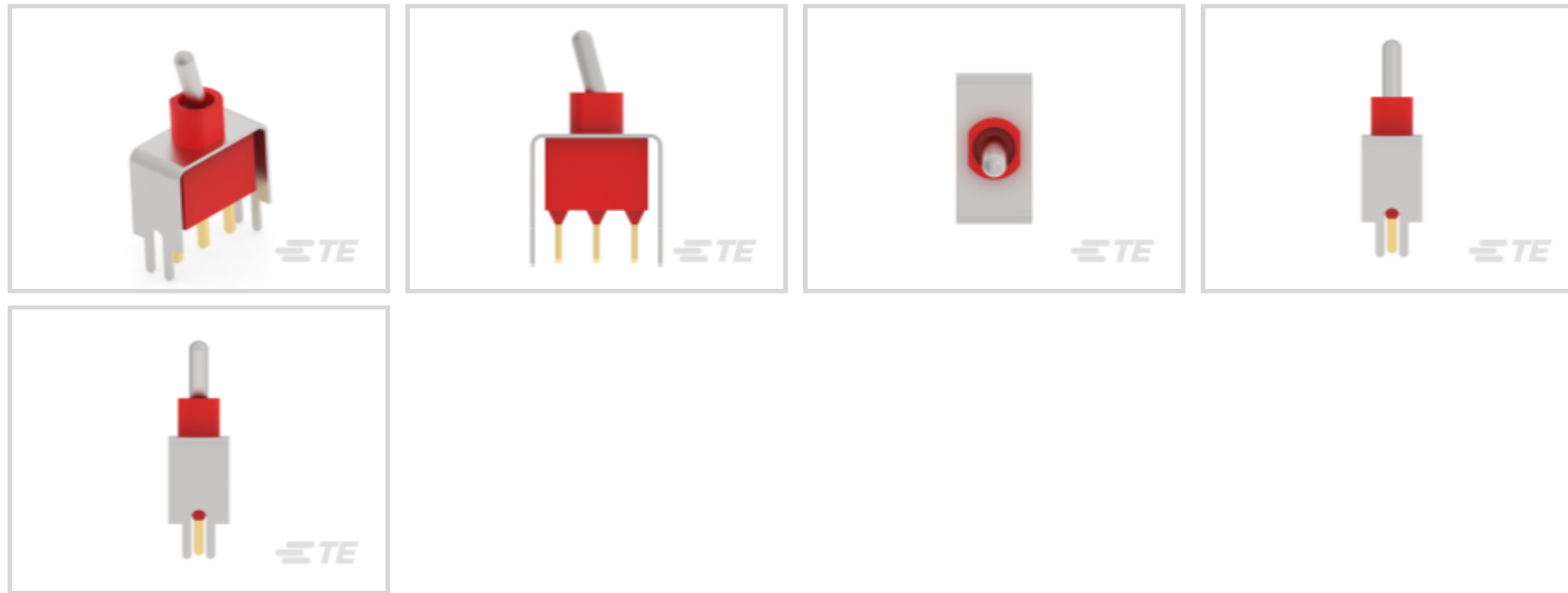




Switches > Toggle Switches



Contact Current Rating: **5 A**

Configuration (Pole-Throw): **Single Pole - Double Throw**

Operating Function: **On On**

Number of Positions: **2**

Operating Voltage: **28 VDC**

Features

Product Type Features

Sealed Device	Yes
Switch Connection Type	Vertical Support Bracket
Toggle Style	Baton Short
Switch Type	Toggle Switch

Configuration Features

Configuration (Pole-Throw)	Single Pole - Double Throw
Operating Function	On On
Number of Positions	2

Electrical Characteristics

Contact Resistance	10 mΩ
Insulation Resistance	1000 MΩ
Dielectric Withstanding Voltage (Max)	1000 VAC
Contact Current Rating	5 A
Operating Voltage	125 VAC



Body Features

Actuator Finish	Nickel
Product Orientation	Vertical
Bushing Style	Unthreaded

Contact Features

Contact Base Material	Copper
Switch Contact Plating Material	Silver

Termination Features

Termination Method to PCB	Through Hole - Solder
---------------------------	-----------------------

Mechanical Attachment

Product Mount Type	Panel & Printed Circuit Board
--------------------	-------------------------------

Housing Features

Process Sealed	Yes
----------------	-----

Dimensions

Toggle Length	7.62 mm[.3 in]
---------------	----------------

Industry Standards

UL Flammability Rating	UL 94V-0
------------------------	----------

Product Compliance

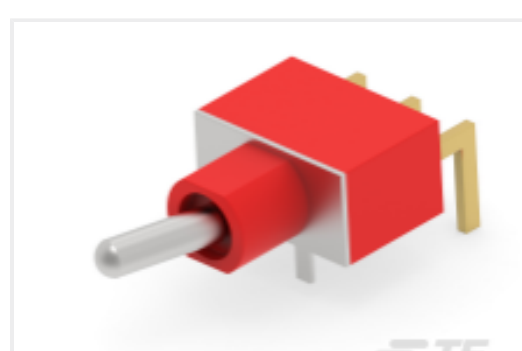
[For compliance documentation, visit the product page on TE.com>](#)

EU RoHS Directive 2011/65/EU	Compliant with Exemptions
EU ELV Directive 2000/53/EC	Compliant with Exemptions
China RoHS 2 Directive MIIT Order No 32, 2016	Restricted Materials Above Threshold
EU REACH Regulation (EC) No. 1907/2006	Current ECHA Candidate List: JAN 2025 (247) Candidate List Declared Against: JAN 2025 (247) SVHC > Threshold: Pb (4% in Component Part) Article Safe Usage Statements: Do not eat, drink or smoke when using this product. Wash thoroughly after handling. Recycle if possible and dispose of the article by following all applicable governmental regulations relevant to your geographic location.
Halogen Content	Low Halogen - Br, Cl, F, I < 900 ppm per homogenous material. Also BFR/CFR/PVC Free
Solder Process Capability	Wave solder capable to 265°C

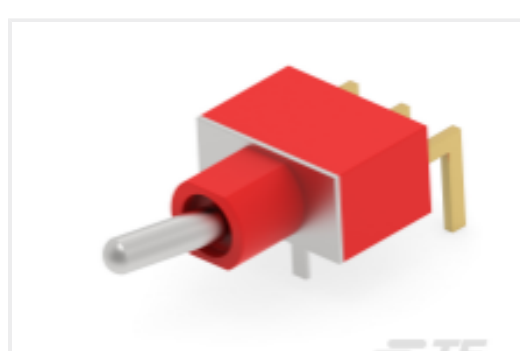
Product Compliance Disclaimer

This information is provided based on reasonable inquiry of our suppliers and represents our current actual knowledge based on the information they provided. This information is subject to change. The part numbers that TE has identified as EU RoHS compliant have a maximum concentration of 0.1% by weight in homogenous materials for lead, hexavalent chromium, mercury, PBB, PBDE, DBP, BBP, DEHP, DIBP, and 0.01% for cadmium, or qualify for an exemption to these limits as defined in the Annexes of Directive 2011/65/EU (RoHS2). Finished electrical and electronic equipment products will be CE marked as required by Directive 2011/65/EU. Components may not be CE marked. Additionally, the part numbers that TE has identified as EU ELV compliant have a maximum concentration of 0.1% by weight in homogenous materials for lead, hexavalent chromium, and mercury, and 0.01% for cadmium, or qualify for an exemption to these limits as defined in the Annexes of Directive 2000/53/EC (ELV). Regarding the REACH Regulation, the information TE provides on SVHC in articles for this part number is based on the latest European Chemicals Agency (ECHA) 'Guidance on requirements for substances in articles' posted at this URL: <https://echa.europa.eu/guidance-documents/guidance-on-reach>

Compatible Parts



TE Part # 1825142-2
AE101MD1AG04



TE Part # 2-1825142-4
AE103MD1AB04



TE Part # 4-1825142-2
AE107MD1AV2B04



TE Part # 2-1825142-5
AE103MD1AV2B04

Also in the Series | Alcoswitch Gemini AE



Toggle Switches(20)

Customers Also Bought



TE Part #207544-7
METRIMATE PIN HEADER ASSY,16P



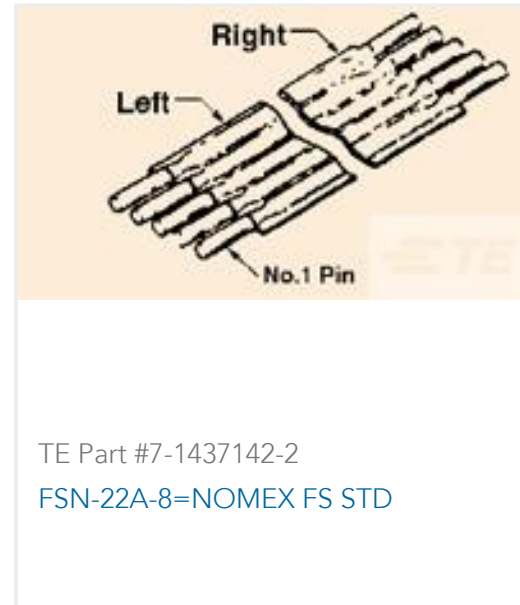
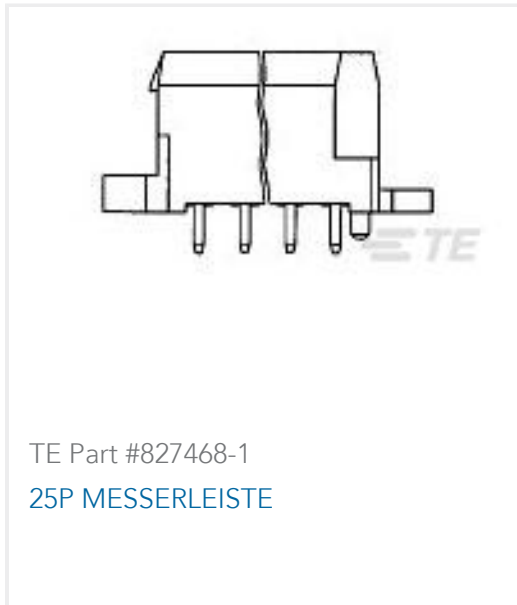
TE Part #207615-6
SKT HDR ASSY,16P,MMATE LF



TE Part #1-826662-0
10P AMPMODU II STIFTLI



TE Part #2205065-2
CA MICRO-MATCH MOW-MOW
14POS



Documents

Product Drawings

[AE101MD1V30Q04](#)

English

CAD Files

Customer View Model

[ENG_CVM_CVM_1-1825142-2_A.3d_igs.zip](#)

English

Customer View Model

[ENG_CVM_CVM_1-1825142-2_A.3d_stp.zip](#)

English

Customer View Model

[ENG_CVM_CVM_1-1825142-2_A.2d_dxf.zip](#)

English

3D PDF

3D

By downloading the CAD file I accept and agree to the [Terms and Conditions](#) of use.

Datasheets & Catalog Pages

[SWITCHES_CORE_PROGRAM_CATALOG](#)

English

[GEMINI_SERIES_SWITCHES_QUICK_REF_GUIDE_2-1773458-5](#)

English