
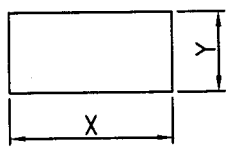
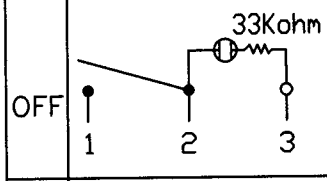
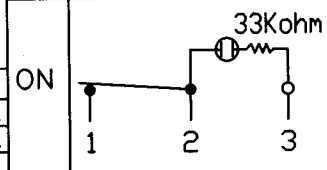
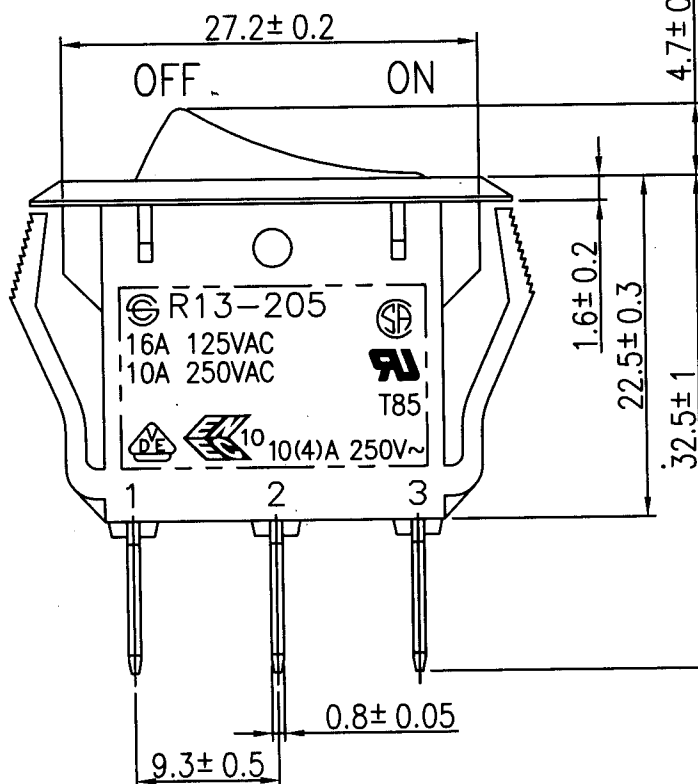
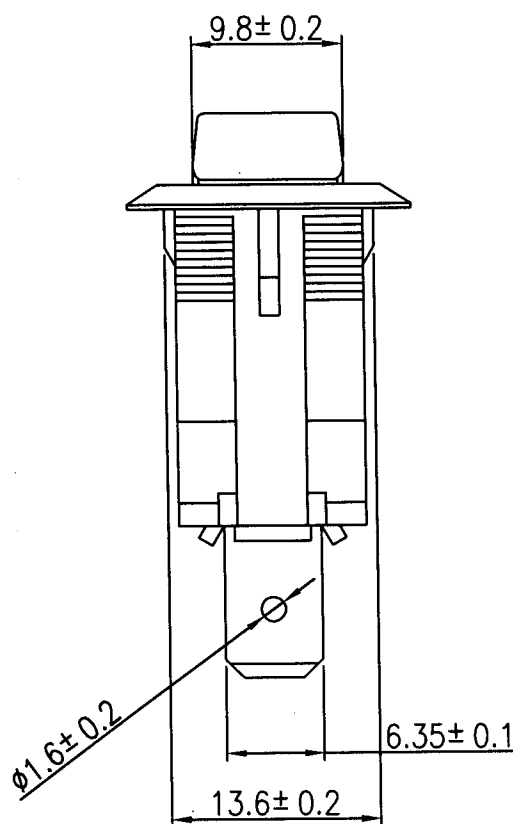
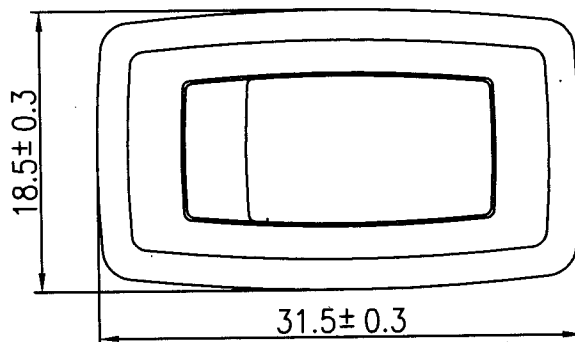


Rating	16A 125VAC		Mounting Hole	Circuit Diagram											
	10A 250VAC														
Contact Resistance	50m ohm Max.														
Insulation Resistance	DC 500V 100M ohm Min.														
Dielectric Strength	AC 1500V 1 minute	<table border="1"> <tr> <td>Thickness</td> <td>X</td> <td>Y</td> </tr> <tr> <td>0.75...3</td> <td>27.6-0.1</td> <td>13.8+0.1</td> </tr> <tr> <td>3...4</td> <td>27.8-0.1</td> <td>13.8+0.1</td> </tr> <tr> <td>4...5</td> <td>28.0-0.1</td> <td>13.8+0.1</td> </tr> </table>	Thickness	X	Y	0.75...3	27.6-0.1	13.8+0.1	3...4	27.8-0.1	13.8+0.1	4...5	28.0-0.1	13.8+0.1	
Thickness	X		Y												
0.75...3	27.6-0.1	13.8+0.1													
3...4	27.8-0.1	13.8+0.1													
4...5	28.0-0.1	13.8+0.1													
Operation Temperature	-20°C~85°C														
Switch Function	3P SPST ON-OFF (Illuminated)														

Material:
 Frame: Black, Nylon# 66
 Actuator: Red, PC
 Printed: None



C8\R13\R13-205B-01(1821104)

						△	
						△	
						NO	
Date	Name	Description					
Drawn	Checked	Approved	SCI BOM NO.	1821104	Model Name	ROCKER SWITCH	
曹盈芳	<i>[Signature]</i>		Customer No.		Model No.	R13-205B-01	REV.
12/11/07	<i>[Signature]</i>		Unit	mm	SHIN CHIN INDUSTRIAL CO., LTD.		0