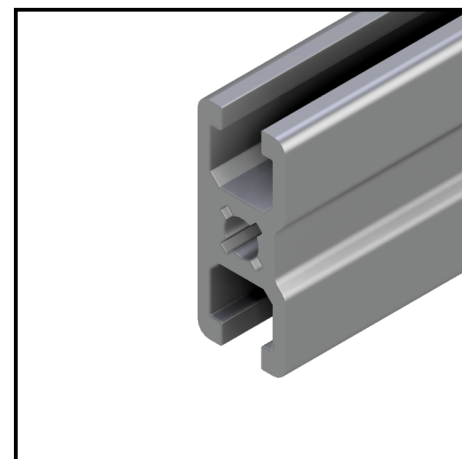
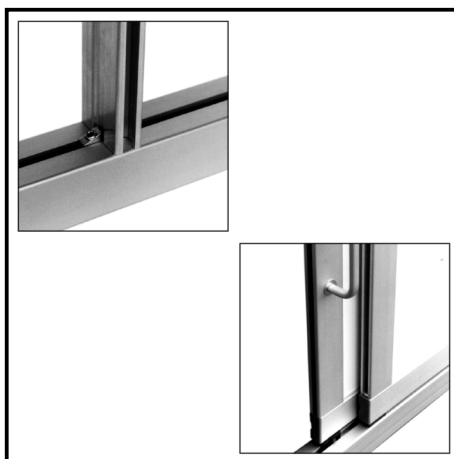
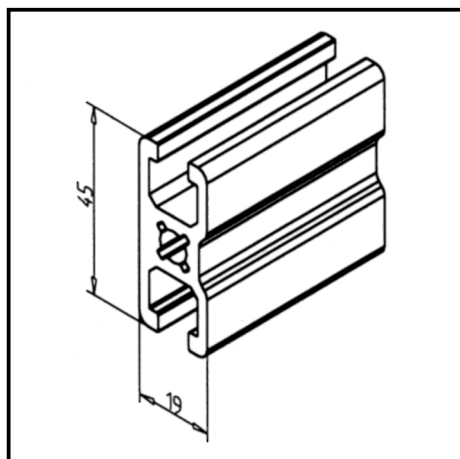


PROFILE 19 X 45

Article Nr. 20.1001/0

See the product on the website →

Download CAD Files →



TECHN. DATA / ITEMS SUPPLIED

- Aluminium, extruded, anodized E6/EV1
- $I_x = 6.173 \text{ cm}^4$
- $I_y = 1.843 \text{ cm}^4$
- $w_x = 2.743 \text{ cm}^3$
- $w_y = 1.836 \text{ cm}^3$
- $IT = 1.435 \text{ cm}^4$
- Weight = 1.101 kg/m
- Packing unit = 60 m

APPLICATIONS

- Bracing, doors
- Guard units
- Weight optimized constructions
- Frames

ASSEMBLY

- MiniTec power-lock fastener
- Mounting angle 19 GD-Z, **part no. [21.2078/0](#)**
- Bolt connector
- Screw connection