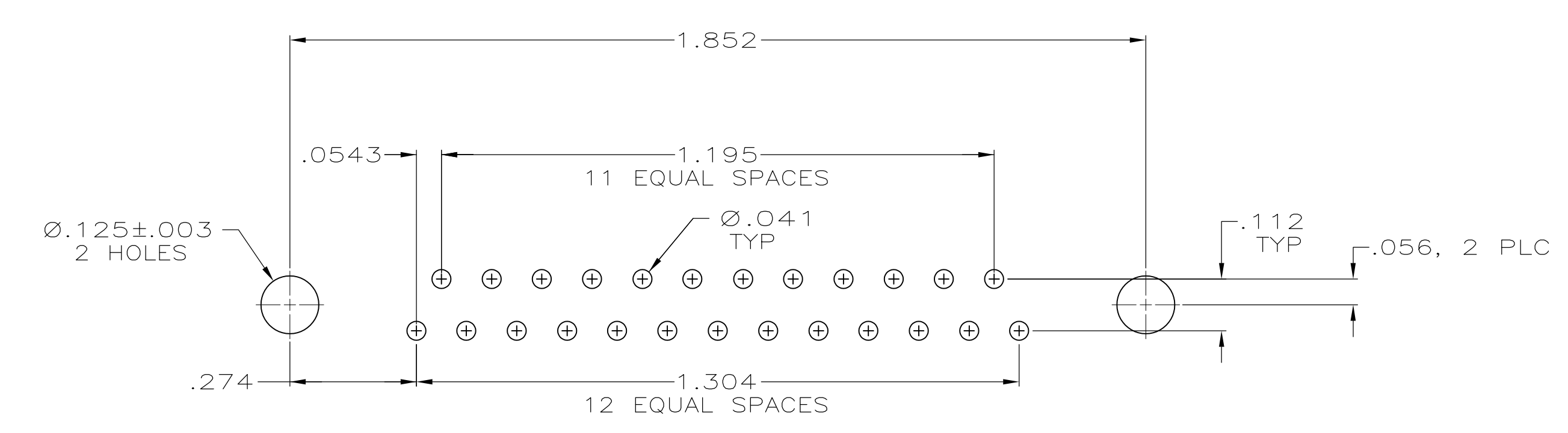
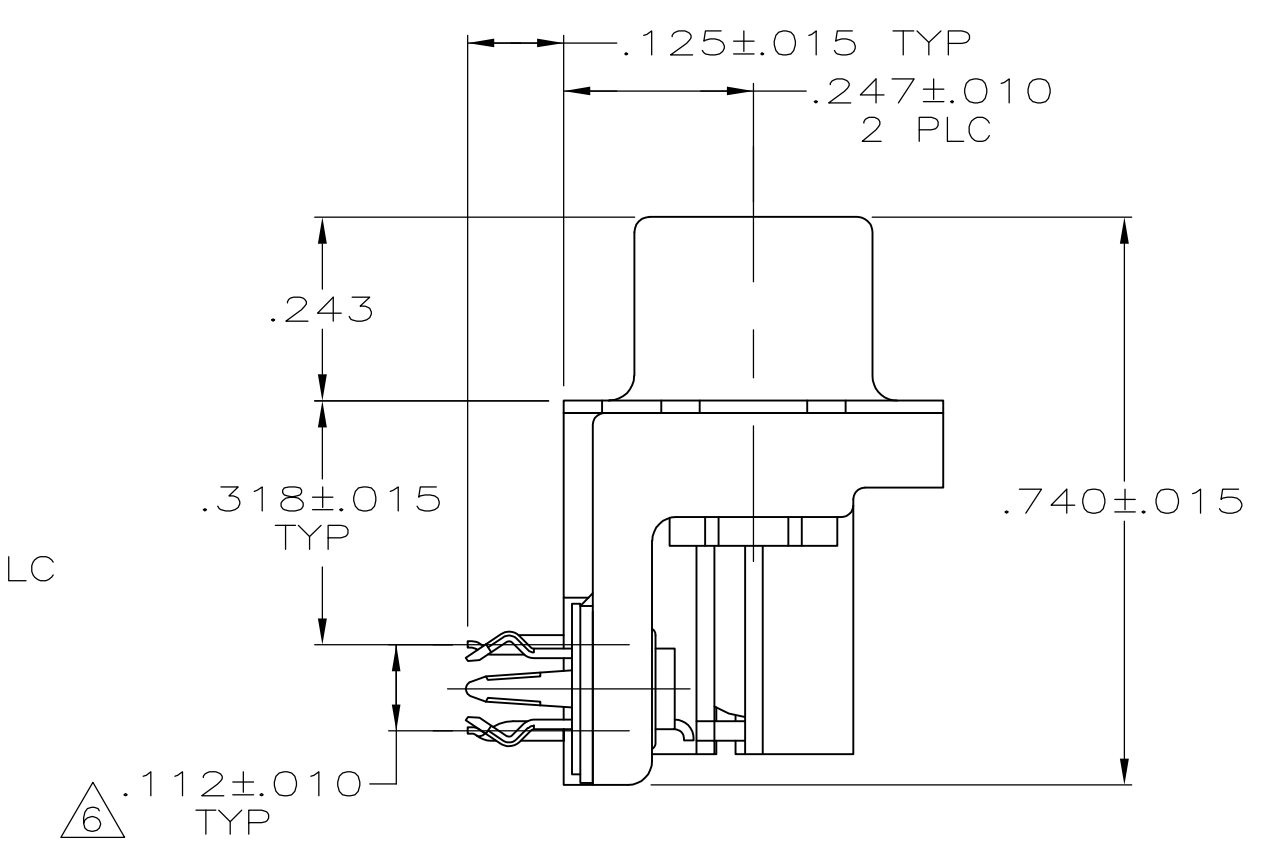
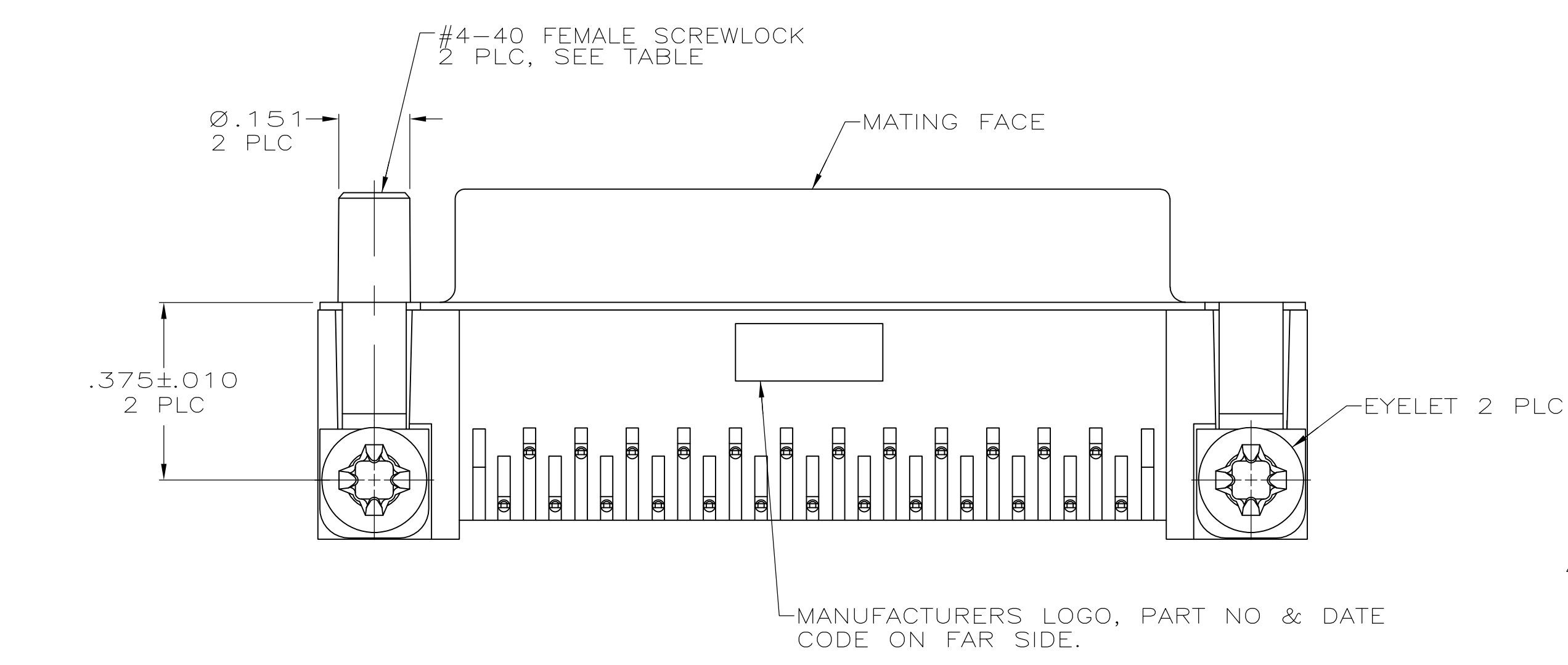
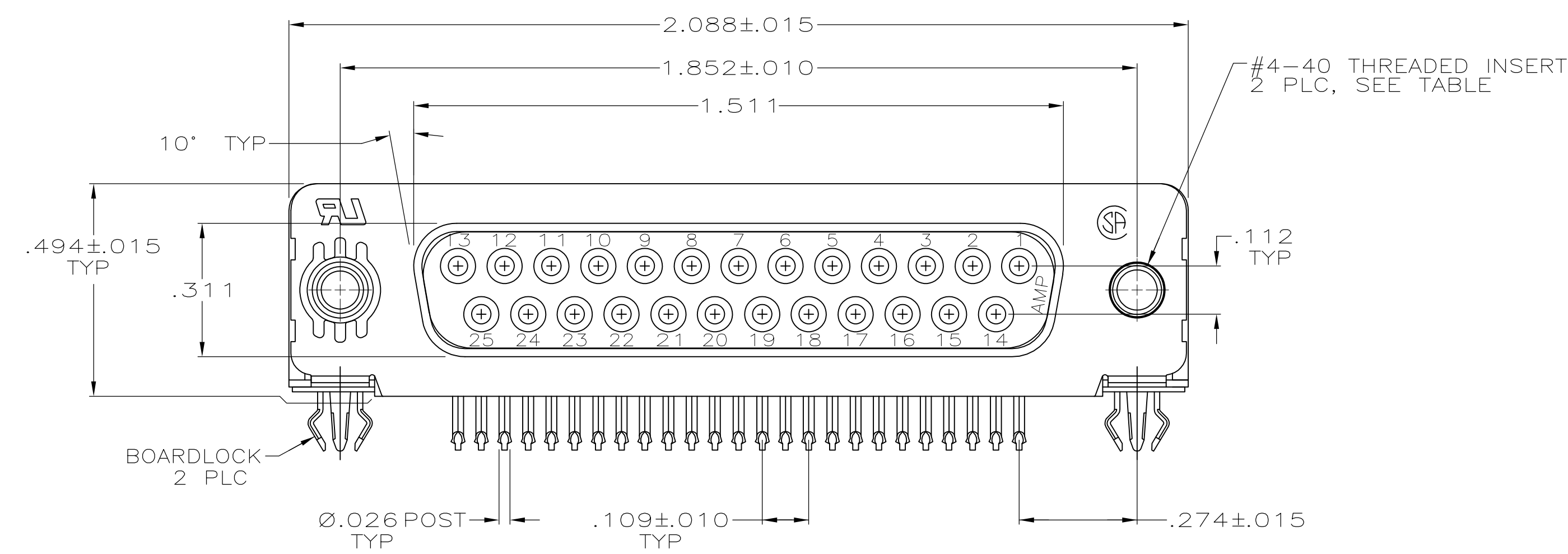


| LOC | | DIST | | REVISIONS | | | |
|-----|-----|---------------------------|---------|-----------|------|--|--|
| P | LTR | DESCRIPTION | DATE | DWN | APVD | | |
| P | | REVISED PER ECO-11-004835 | 11MAR11 | RK | HMR | | |



- CONNECTOR MATES WITH ANY 25 POSN PLUG IN AMPLIMITE SERIES.
- MOLDED PARTS: FLAME RETARDANT 94V-0 RATED THERMOPLASTIC, BLACK. SHELL: CARBON STEEL. CONTACTS: PHOSPHOR BRONZE.. EYELETS: BRASS. SCREWLOCKS: ZINC. INSERTS: ZINC. BOARDLOCKS: BRASS.
- SHELL: .000100 MIN TIN OVER .000100 MIN COPPER.. CONTACTS: SEE TABLE. EYELETS: .000100 MIN TIN OVER COPPER FLASH. BOARDLOCKS: .000150 MIN TIN OVER .000050 MIN NICKEL.. INSERTS AND SCREWLOCKS: CLEAR CHROMATE.
- GOLD FLASH FOR A DISTANCE OF .100 MIN FROM MATING END, .000100 MIN TIN ON TERMINATION END, ALL OVER .000050 MIN NICKEL ON ENTIRE CONTACT.
- .000030 MIN GOLD FOR A DISTANCE OF .100 MIN FROM MATING END, .000100 MIN TIN ON TERMINATION END, ALL OVER .000050 MIN NICKEL ON ENTIRE CONTACT.
- DIMENSION APPLIES FROM CENTER OF CONTACTS.

| | | |
|-------------------|----------------|-------------|
| FEMALE SCREWLOCKS | △5 | 5747846-6 |
| FEMALE SCREWLOCKS | △4 | 5747846-5 |
| THREADED INSERTS | △5 | 5747846-4 |
| THREADED INSERTS | △4 | 5747846-3 |
| .125 DIA HOLES | △5 | 5747846-2 |
| MOUNTING HARDWARE | CONTACT FINISH | PART NUMBER |

| DIMENSIONS: | | TOLERANCES UNLESS OTHERWISE SPECIFIED: | | MATERIAL: | | FINISH: | |
|-------------|--|--|--------|-----------|--|---------|--|
| INCHES | | 0 PLC | ± - | 2 | | 3 | |
| | | 1 PLC | ± - | | | | |
| | | 2 PLC | ± - | | | | |
| | | 3 PLC | ± .005 | | | | |
| | | 4 PLC | ± - | | | | |
| | | ANGLES | ± ° | | | | |

| | | | | | | | | | |
|--|--|-------------------------------|--|-----------------------|--|--|--|---------------------------|--|
| THIS DRAWING IS A CONTROLLED DOCUMENT. | | DIN L VARELA - DOCKS 04-06-05 | | CHK S BOLASH 04-06-05 | | APVD M WALMSLEY 04-06-05 | | NAME | |
| | | | | | | RECEPTACLE ASSEMBLY, SIZE 3, 25 POSITION, RIGHT ANGLE, FRONT METAL SHELL, .318 SERIES, .026 DIA POSTS, BOARDLOCKS, AMPLIMITE HD-20 | | | |
| | | | | 108-40025 | | APPLICATION SPEC | | SIZE CAGE CODE DRAWING NO | |
| | | | | 114-40010 | | A1 00779 | | C=5747846 | |
| | | | | WEIGHT | | SCALE 4:1 | | SHEET 1 of 1 | |
| | | | | CUSTOMER DRAWING | | | | REV P | |

**COPYRIGHT 2005
TE CONNECTIVITY CORP
ALL RIGHTS RESERVED**