

THIS DRAWING IS UNPUBLISHED. RELEASED FOR PUBLICATION FEB ,2006.

© COPYRIGHT 2006 BY TYCO ELECTRONICS CORPORATION. ALL RIGHTS RESERVED.

LOC	DIST	REVISIONS					
E	B	P	LTR	DESCRIPTION	DATE	DWN	APVD
		C		ECR-06-002568	15FEB06	JMS	FWK

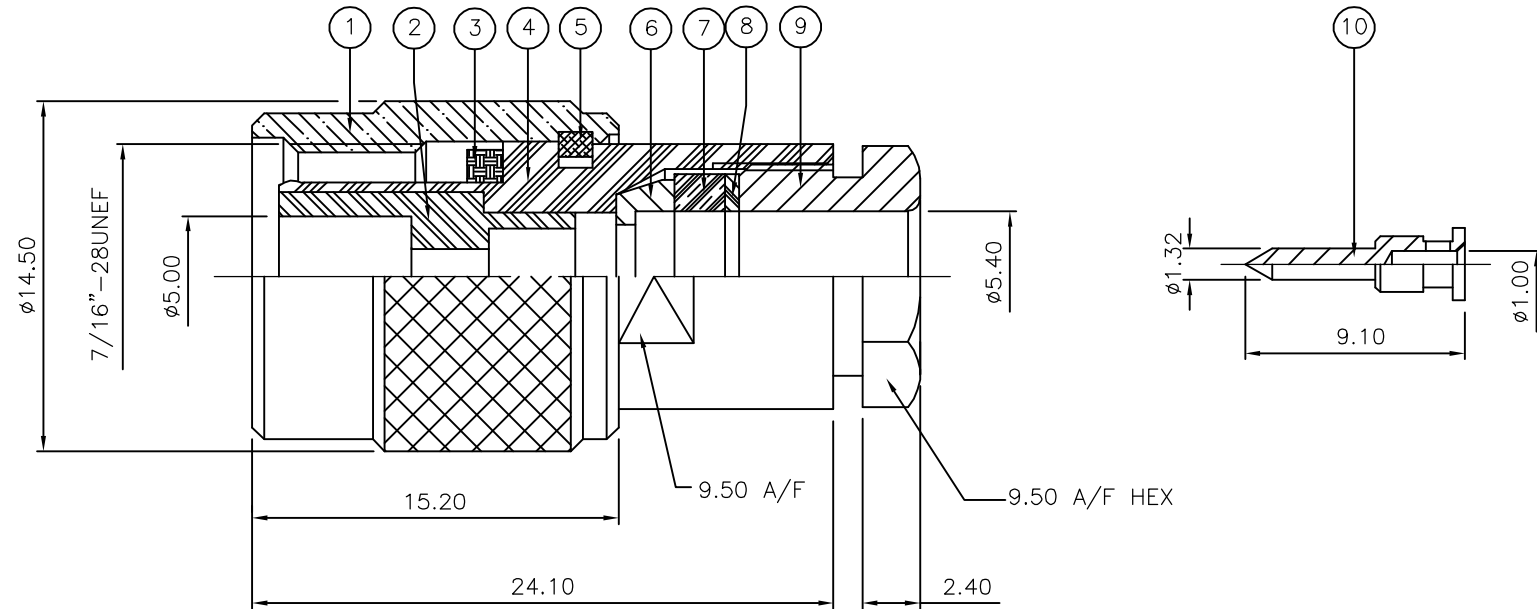
NOTES:

- 1 PACK IN ACCORDANCE WITH AMP SPEC 107-3275
- 2 100 TRAY PACK IN ACCORDANCE WITH AMP SPEC 107-3275
- 3 Au PLATING
- 4 Ni PLATING
- 5 THIS ITEM MUST BE WHITE
- 6 ELECTRICAL CHARACTERISTICS

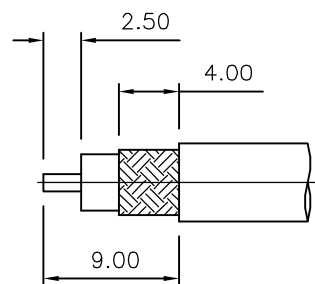
FREQUENCY RANGE:	DC - 11 GHz
NOMINAL IMPEDANCE:	50 Ohm
INSULATION RESISTANCE:	5000 MOhm
WORKING VOLTAGE:	500 Volts RMS at Sea Level
DIELECTRIC WITHSTAND VOLTAGE:	1500 Volts RMS Max
CONTACT RESISTANCE:	
CENTRE CONTACT:	1.50 mOhm Max
OUTER CONTACT:	1.00 mOhm Max
VSWR @ 4GHz:	1.30:1 Max
INSERTION LOSS dB @ x 3 GHz:	0.20 Max
- 7 MECHANICAL CHARACTERISTICS

COUPLING NUT RETENTION FORCE:	445N Min
CABLE RETENTION FORCE:	170N Min
CLAMP NUT RECOMMENDED TORQUE:	4N
DURABILITY:	500 Cycles Min
- 8 ENVIRONMENTAL CHARACTERISTICS

OPERATING TEMPERATURE:	-65 to +165 DegC
------------------------	------------------



RECOMMENDED CABLE STRIPPING DIM'S



	1	1	BRASS	3	CONTACT	10
	1	1	BRASS	4	CLAMP NUT	9
	1	1	BRASS	4	WASHER	8
	1	1	SILICONE RUBBER	5	GASKET	7
	1	1	BRASS	4	SLEEVE	6
	1	1	BRASS	4	CIRCLIP	5
	1	1	BRASS	4	BODY	4
	1	1	SILICONE RUBBER	5	GASKET	3
	1	1	PTFE		INSULATION	2
	1	1	BRASS	4	COUPLING NUT	1
	6--0	1--0	MATERIAL		DESCRIPTION	ITEM

QUANTITY PER ASSY		PARTS LIST	
DWN J.SANDWELL 15FEB06		Tyco Electronics Corporation	
CHK S.PARLOW 15FEB06		Bideford EX39 4HE	
APVD F.WHEELER-KING 15FEB06		NAME	
PRODUCT SPEC		TNC STRAIGHT PLUG MIL-CLAMP 50 OHM	
APPLICATION SPEC		RG58C/U, 141A/U, URM43,	
411-3252		76 & BELDEN 9907, KX15	
SIZE	CAGE CODE	DRAWING NO	RESTRICTED TO
A3	00779	C-1337612	-
CUSTOMER DRAWING		SCALE	SHEET 1 OF 1 REV C
		NTS	

THIS DRAWING IS A CONTROLLED DOCUMENT.	
DIMENSIONS: mm	TOLERANCES UNLESS OTHERWISE SPECIFIED:
	0 PLC ± -
	1 PLC ± -
	2 PLC ± -
	3 PLC ± -
	4 PLC ± -
	ANGLES ± -
MATERIAL SEE TABLE	FINISH -