

Product Compliance

[For compliance documentation, visit the product page on TE.com>](#)

EU RoHS Directive 2011/65/EU	Compliant
EU ELV Directive 2000/53/EC	Compliant with Exemptions
China RoHS 2 Directive MIIT Order No 32, 2016	有害物质含量符合标准要求 No Restricted Substance(s) Above Threshold
EU REACH Regulation (EC) No. 1907/2006	Current ECHA Candidate List: JUNE 2025 (250) Candidate List Declared Against: JAN 2025 (247) Does not contain REACH SVHC
Halogen Content	Low Halogen - Br, Cl, F < 900 ppm per homogenous material. Also BFR/CFR/PVC Free
Solder Process Capability	Not applicable for solder process capability

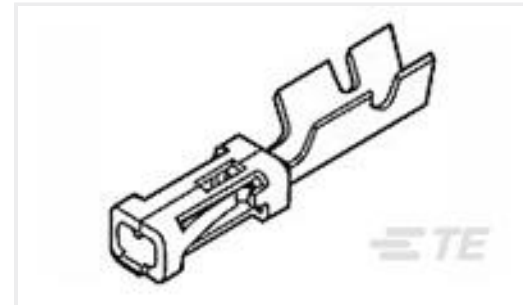
Product Compliance Disclaimer

This information is provided based on reasonable inquiry of our suppliers and represents our current actual knowledge based on the information they provided. This information is subject to change. The part numbers that TE has identified as EU RoHS compliant have a maximum concentration of 0.1% by weight in homogenous materials for lead, hexavalent chromium, mercury, PBB, PBDE, DBP, BBP, DEHP, DIBP, and 0.01% for cadmium, or qualify for an exemption to these limits as defined in the Annexes of Directive 2011/65/EU (RoHS2). Finished electrical and electronic equipment products will be CE marked as required by Directive 2011/65/EU. Components may not be CE marked. Additionally, the part numbers that TE has identified as EU ELV compliant have a maximum concentration of 0.1% by weight in homogenous materials for lead, hexavalent chromium, and mercury, and 0.01% for cadmium, or qualify for an exemption to these limits as defined in the Annexes of Directive 2000/53/EC (ELV). Regarding the REACH Regulation, the information TE provides on SVHC in articles for this part number is based on the latest European Chemicals Agency (ECHA) 'Guidance on requirements for substances in articles' posted at this URL: <https://echa.europa.eu/guidance-documents/guidance-on-reach>

Customers Also Bought



TE Part #177598-000
STD06W-6



TE Part #85969-8
MOD IV RECP PLTD 30 SEL



TE Part #130171
TERMINAL, PIDG, RT, 12-10 AWG, M5



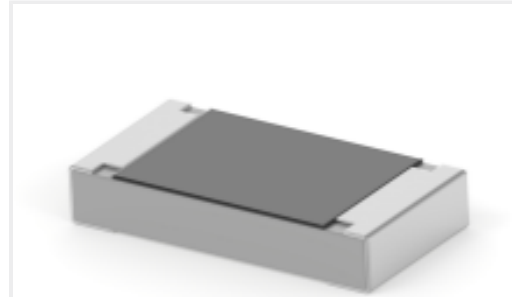
TE Part #1565917-4
EMBOSS ASSY DDR2 SODIMM
SOCKET 200P 5.2H



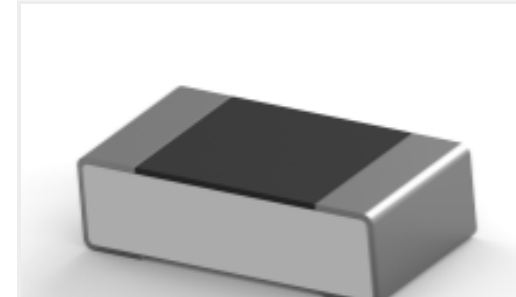
TE Part #2-1630027-1
HSC300 75R 5%



TE Part #1888247-1
20 POS SMT CONN, SFP/SFP+, 30A



TE Part #2176344-3
CRGCQ 1206 2R2 5%



TE Part #9-2176370-4
RQ 0603 4K02 0.1% 10PPM 5K RL



TE Part #3-6609006-0
15EJT8=F8145



TE Part #3-1437602-1
SMCL=replaces SMCBG

Documents

Product Drawings

STANDOFF, STUD, MTG, METRIC

English

CAD Files

3D PDF

3D

Customer View Model

[ENG_CVM_CVM_552634-3_AB.2d_dxf.zip](#)

English

Customer View Model

[ENG_CVM_CVM_552634-3_AB.3d_igs.zip](#)

English

Customer View Model

[ENG_CVM_CVM_552634-3_AB.3d_stp.zip](#)

English

By downloading the CAD file I accept and agree to the [Terms and Conditions](#) of use.

Product Specifications



Application Specification

English