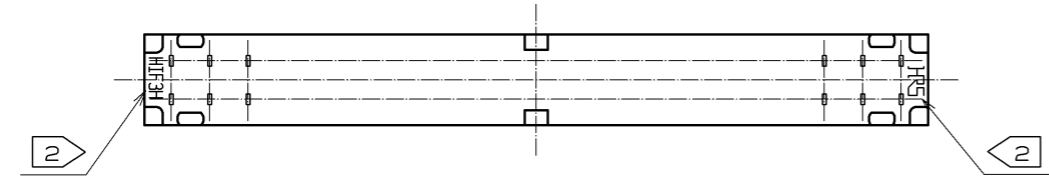
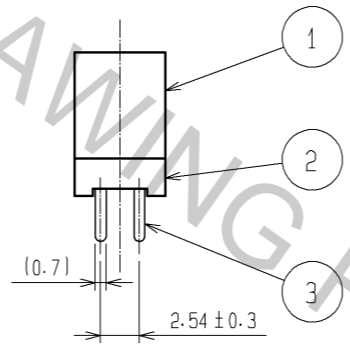
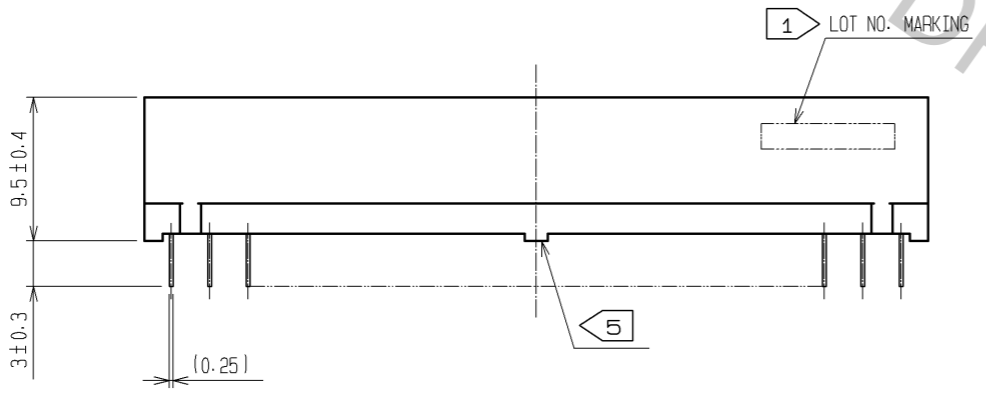
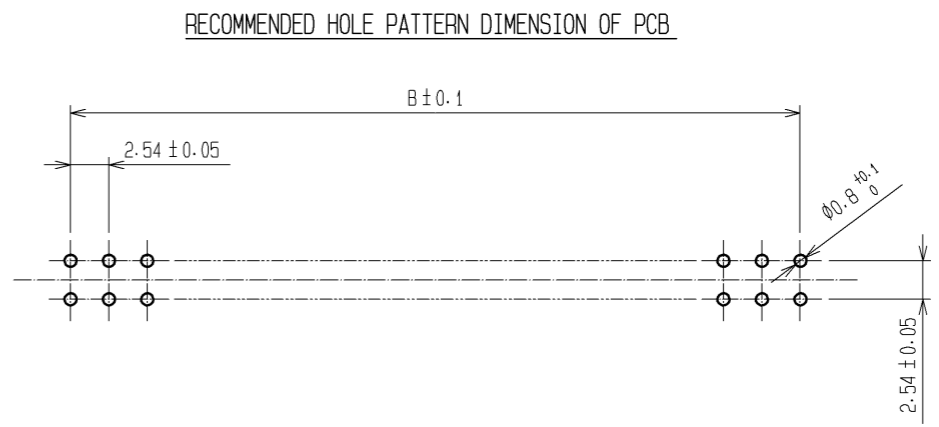
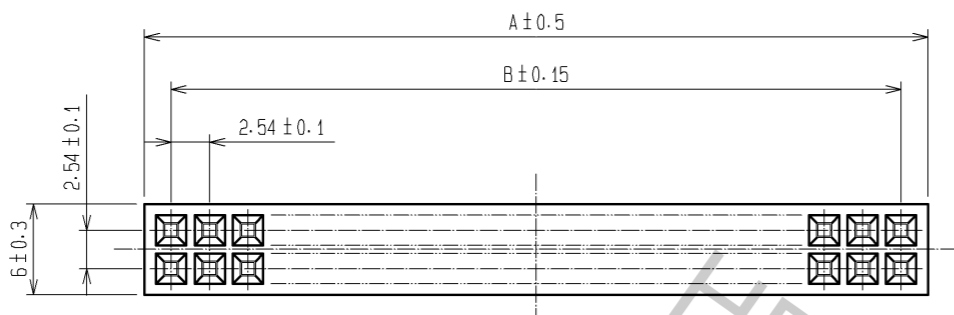


Nov.1.2016 Copyright 2016 HIROSE ELECTRIC CO., LTD. All Rights Reserved.



CODE No.	PART No.	4	A	B
HIF3H-6DA-2.54DSA(71)	CL618-0139-8-71	6	8.62	5.08
HIF3H-10DA-2.54DSA(71)	CL618-0101-5-71	10	13.7	10.16
HIF3H-12DA-2.54DSA(71)	CL618-0102-8-71	12	16.24	12.70
HIF3H-16DA-2.54DSA(71)	CL618-0103-0-71	16	21.32	17.78
HIF3H-18DA-2.54DSA(71)	CL618-0111-9-71	18	23.86	20.32
HIF3H-20DA-2.54DSA(71)	CL618-0104-3-71	20	26.4	22.86
HIF3H-24DA-2.54DSA(71)	CL618-0113-4-71	24	31.48	27.94
HIF3H-26DA-2.54DSA(71)	CL618-0105-6-71	26	34.02	30.48
HIF3H-30DA-2.54DSA(71)	CL618-0106-9-71	30	39.1	35.56
HIF3H-34DA-2.54DSA(71)	CL618-0107-1-71	34	44.18	40.64
HIF3H-40DA-2.54DSA(71)	CL618-0108-4-71	40	51.8	48.26
HIF3H-50DA-2.54DSA(71)	CL618-0109-7-71	50	64.5	60.96
HIF3H-60DA-2.54DSA(71)	CL618-0110-6-71	60	77.2	73.66
HIF3H-64DA-2.54DSA(71)	CL618-0112-1-71	64	82.28	78.74

- NOTE
- 1 LOT No. SURFACE OPTIONAL.
 - 2 THE POSITION AND ORIENTATION OF HRS MARKING AND PART No. OPTIONAL.
 - 3 BASIC MATERIAL IS EXPOSED AT CONTACT CUT SECTION.
 - 4 NUMBER OF CONTACTS.
 - 5 THE DESIGN WITHOUT CENTRAL STANDOFF IS APPLIED, DEPENDING ON THE NUMBER OF CONTACT POSITIONS.
 - 6 THE DIMENSIONS IN PARENTHESES ARE FOR REFERENCE.

1, 2	PBT	BLACK	UL94V-0	3	PHOSPHOR BRONZE	CONTACT AREA : GOLD 0.2µm min. DIP AREA : TIN-LEAD 1µm min. UNDER PLATING : NICKEL 1µm min.	
NO.	MATERIAL	FINISH, REMARKS	NO.	MATERIAL	FINISH, REMARKS		
UNITS mm		SCALE FREE	COUNT △	DESCRIPTION OF REVISIONS	DESIGNED	CHECKED	DATE
APPROVED : HS. OKAWA		07.07.21		DRAWING NO. EDC3-154464-21			
CHECED : HS. OZAWA		07.07.21		PART NO. HIF3H-*DA-2.54DSA(71)			
DESIGNED : SY. KAMIGA		07.07.21		CODE NO. CL618			
DRAWN : HK. SUNADORI		07.07.21					