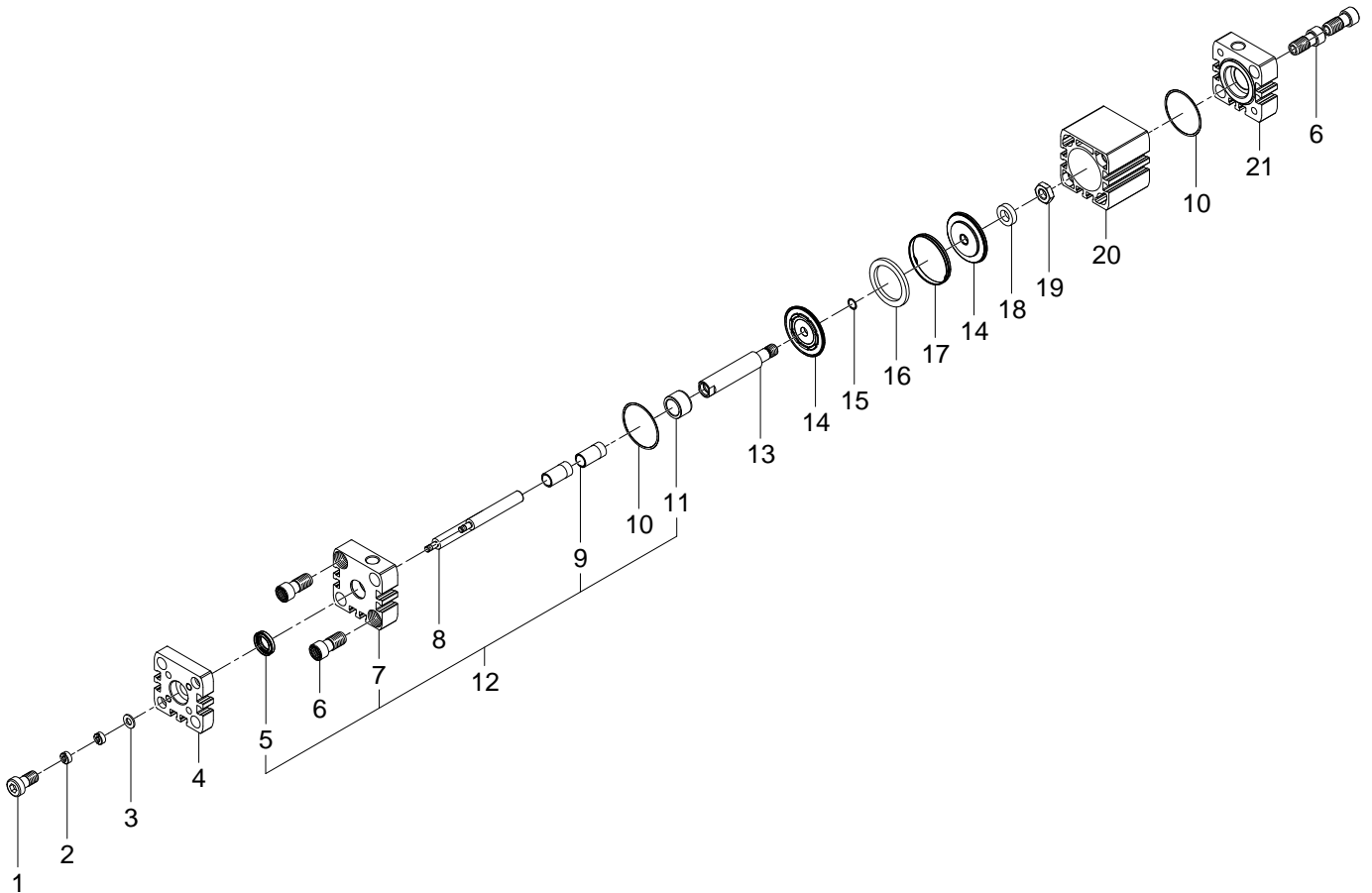


554283 ADNGF-80-50-P-A Compact cylinder - Series till 07-2022



554283 ADNGF-80-50-P-A Compact cylinder - Series till 07-2022

Pos.	Part no.	Type	Note	Qty.	Unit
A	673627	ADN-80-P-A Set of wearing parts	Spare parts: 5, 10, 14, 15, 17	1	PC
1	223363	DIN 6912-M12X25-8.8 Socket head screw	Tightening torque 39 Nm / 28.8 lbf ft Use locking compound 8181258 CYBERBOND TI 7680	1	PC
2	252678	DIN 546-M5-ST Slotted nut	Tightening torque 5.9 Nm / 4.4 lbf ft Use locking compound 8181258 CYBERBOND TI 7680	2	PC
3	213486	DIN 433-13 Disc		1	PC
4	665000	ADNGF-80 Moment compensator		1	PC
5	359748	WIFC1-20X25X4,6-TPE-U Wiper seal	Lubricate with 684474 LUB-KC1 during assembly	1	PC
6	200688	ISO 4762-M6X20-10.9 Socket head screw	Tightening torque 8 Nm / 5.9 lbf ft Use locking compound 8181258 CYBERBOND TI 7680	8	PC
7		ADNGF-80 Bearing cap	Not available separately, see position 12	1	PC
8	668743	ADNGF-80/100-X- Guide rod	No longer available. Please order from product series R3 the components with position nos. 2+3+7. When ordering please specify the stroke (see type plate) Lubricate with 684474 LUB-KC1 during assembly	2	PC
9		ADNGF-80 Collar end bearing	Not available separately, see position 12	2	PC
10		B-80X1,5-N-NBR70 O-ring ISO3601	Lubricate with 684474 LUB-KC1 during assembly Not available separately, see position A	2	PC
11		ADN-80/100 Bearing	Not available separately, see position 12	1	PC
12	683228	ADNGF-80 Bearing cap module	No longer available. Please order from product series P7 the components with position nos. 12.	1	PC
13	683599	ADN-80- - Piston rod	When ordering please specify the configuration (see type plate)	1	PC
14		BA-K01D-080 Piston module	Not available separately, see position A	2	PC
15		B-14X1,5-N-NBR75 O-ring ISO3601	Not available separately, see position A	1	PC
16	4760182	76,9X58X6BA-K01M-080 Ring magnet		1	PC
17		BA-K01F-080 Guiding band	Not available separately, see position A	1	PC
18	668949	DIN 7349-15 Disc		1	PC
19	204153	DIN 439-B-M14X1,5-04 Hex nut	Tightening torque 46 Nm / 33.9 lbf ft Use locking compound 8181258 CYBERBOND TI 7680	1	PC
20		ADNGF-80-X- Cylinder barrel	Lubricate with 684474 LUB-KC1 during assembly Not available	1	PC
21	663894	ADN-80 End cap	No longer available. Please order from product series P7 the components with position nos. 22.	1	PC