

# Locking - SCX-DOOR-LOCK



1184401

<https://www.phoenixcontact.com/fr/produits/1184401>

Please be informed that the data shown in this PDF document is generated from our Online Catalog. Please find the complete data in the user documentation. Our General Terms of Use for Downloads are valid.

---



Stable door lock with locking tab for securely locking the Smart Camera Box, protects against unauthorized access, for a padlock with a shackle diameter of up to 12 mm

# Locking - SCX-DOOR-LOCK



1184401

<https://www.phoenixcontact.com/fr/produits/1184401>

## Commercial Data

Item number	1184401
Packing unit	1 pc
Minimum order quantity	1 pc
Sales Key	DNC3Z1
Product Key	DNC3Z1
GTIN	4063151224226
Weight per Piece (including packing)	229 g
Weight per Piece (excluding packing)	229 g
Customs tariff number	83024900
Country of origin	DE

# Locking - SCX-DOOR-LOCK

1184401

<https://www.phoenixcontact.com/fr/produits/1184401>



## Technical Data

### Product properties

Product type	Mounting material
--------------	-------------------

### Dimensions

Width	35 mm
Height	290 mm
Depth	53 mm

### Material specifications

Color	light grey RAL 7035
Material	Sheet steel
Surface characteristics	powder coated

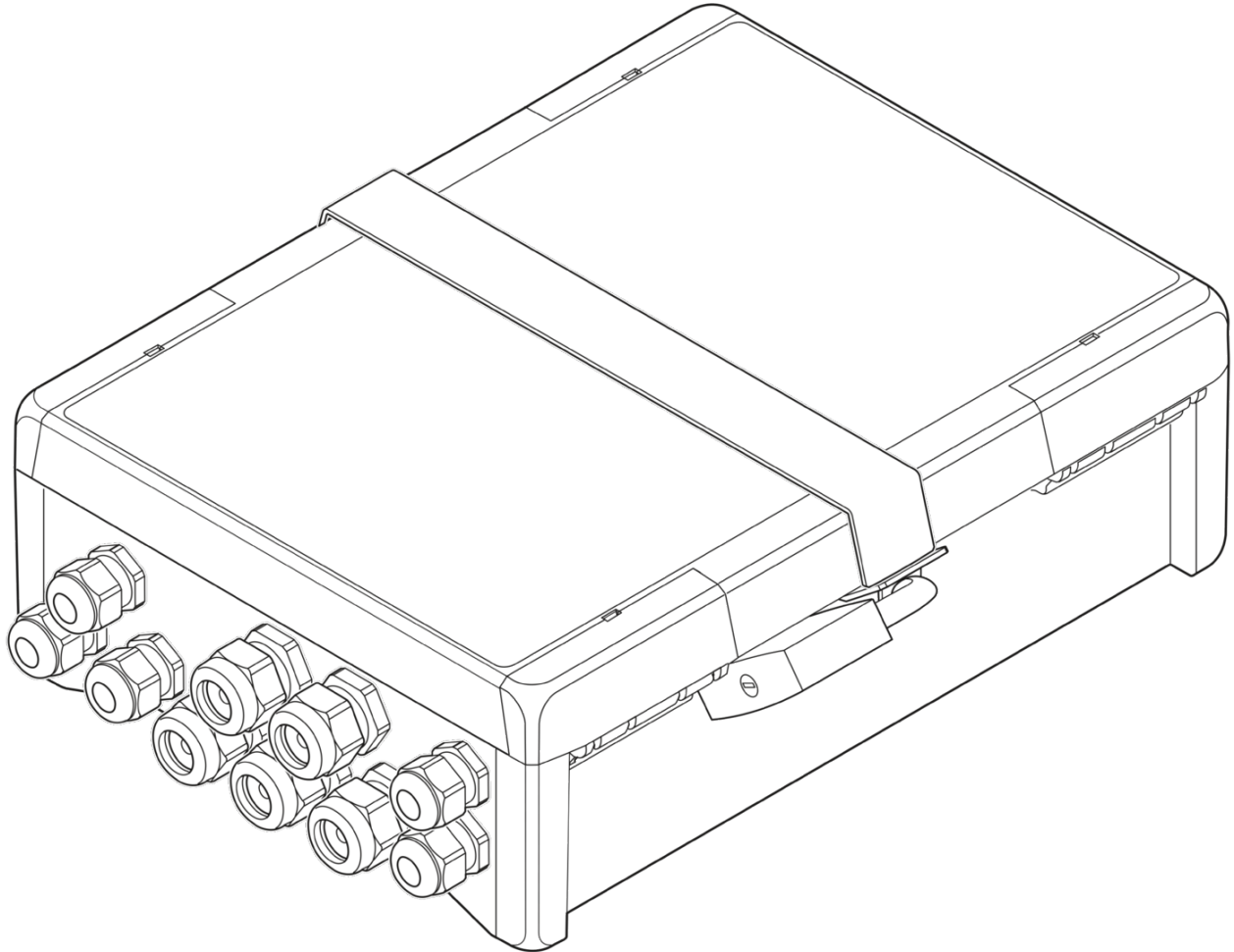
# Locking - SCX-DOOR-LOCK

1184401

<https://www.phoenixcontact.com/fr/produits/1184401>

## Drawings

Schematic diagram



Mounting the door lock (padlock not included in the scope of supply)

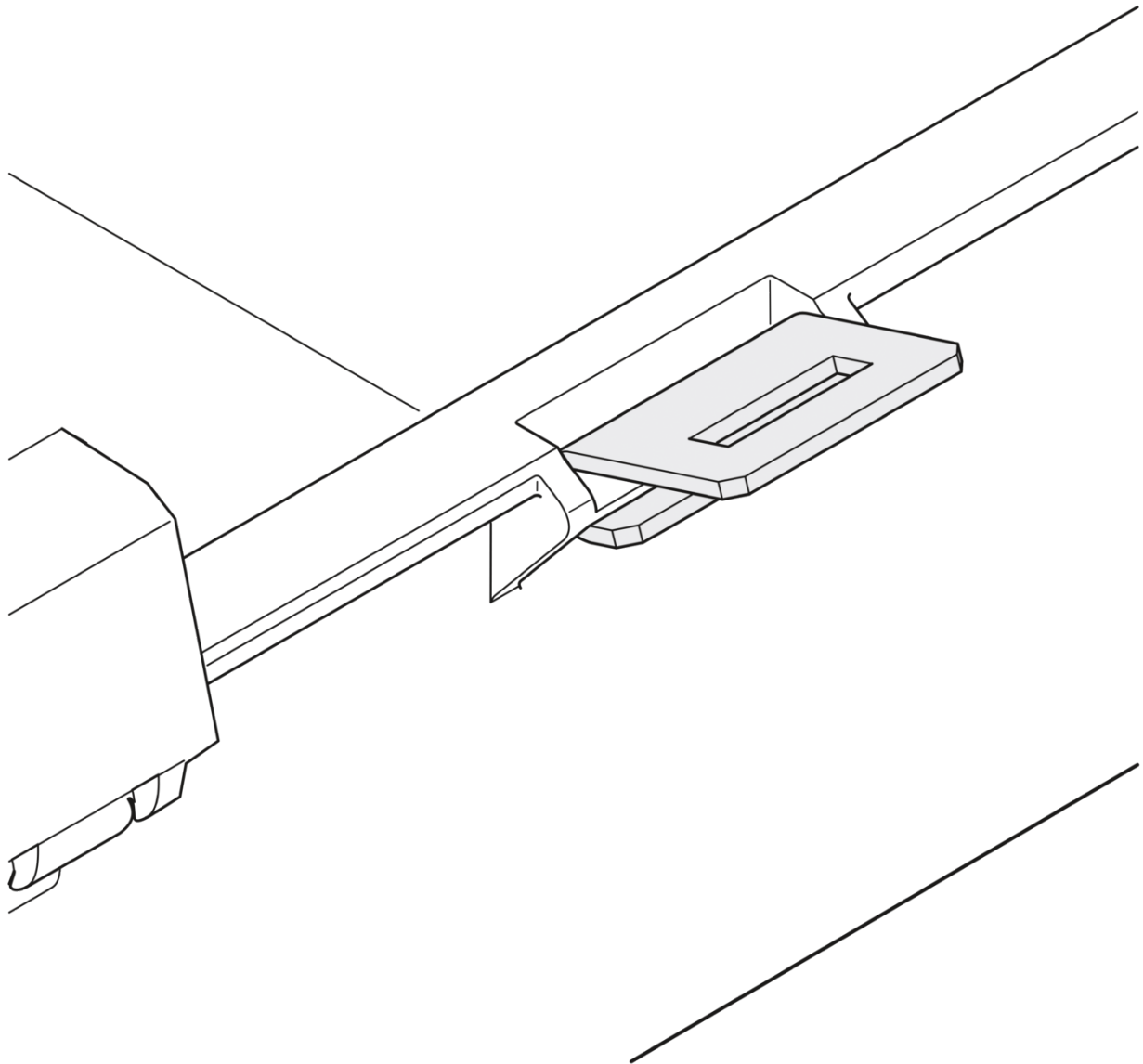
# Locking - SCX-DOOR-LOCK

1184401

<https://www.phoenixcontact.com/fr/produits/1184401>



Schematic diagram



Attaching the locking tab

# Locking - SCX-DOOR-LOCK

1184401

<https://www.phoenixcontact.com/fr/produits/1184401>



## Classifications

### ECLASS

ECLASS-9.0	27149290
ECLASS-10.0.1	27149290
ECLASS-11.0	27371390

### ETIM

ETIM 8.0	EC002498
----------	----------

# Locking - SCX-DOOR-LOCK

1184401

<https://www.phoenixcontact.com/fr/produits/1184401>



## Environmental Product Compliance

China RoHS	Environmentally friendly use period: unlimited = EFUP-e
	No hazardous substances above threshold values

# Locking - SCX-DOOR-LOCK

1184401

<https://www.phoenixcontact.com/fr/produits/1184401>



## Accessories

### Industrial Ethernet Switch

Industrial Ethernet Switch - SCX 2POE 2T - 1108544



Smart Camera Box to connect PoE end devices, two PoE ports, two uplink ports (RJ45), integrated Managed Switch and surge protection, supply voltage 100 ... 240 V AC, wall or mast mounting

### Industrial Ethernet Switch

Industrial Ethernet Switch - SCX 4POE 2T - 1108542



Smart Camera Box to connect PoE end devices, four PoE ports, two uplink ports (RJ45), integrated Managed Switch and surge protection, supply voltage 100 ... 240 V AC, wall or mast mounting



# Locking - SCX-DOOR-LOCK

1184401

<https://www.phoenixcontact.com/fr/produits/1184401>



## Industrial Ethernet Switch

Industrial Ethernet Switch - SCX 2POE 2LX - 1108543



Smart Camera Box to connect PoE end devices, two PoE ports, two uplink ports (SFP slots), Managed Switch, integrated surge protection and splice tray, supply voltage 100 ... 240 V AC, wall or mast mounting

---

## Industrial Ethernet Switch

Industrial Ethernet Switch - SCX 4POE 2LX - 1102626



Smart Camera Box to connect PoE end devices, four PoE ports, two uplink ports (SFP slots), Managed Switch, integrated surge protection and splice tray, supply voltage 100 ... 240 V AC, wall or mast mounting

---

Phoenix Contact 2022 © - all rights reserved  
<https://www.phoenixcontact.com>

PHOENIX CONTACT SAS  
52 Boulevard de Beaubourg Emerainville  
77436 Marne La Vallée Cedex 2 France  
+33 (0) 1 60 17 98 98  
[documentation@phoenixcontact.fr](mailto:documentation@phoenixcontact.fr)