

Protective Cap, M8, Panel Mount Socket



Features

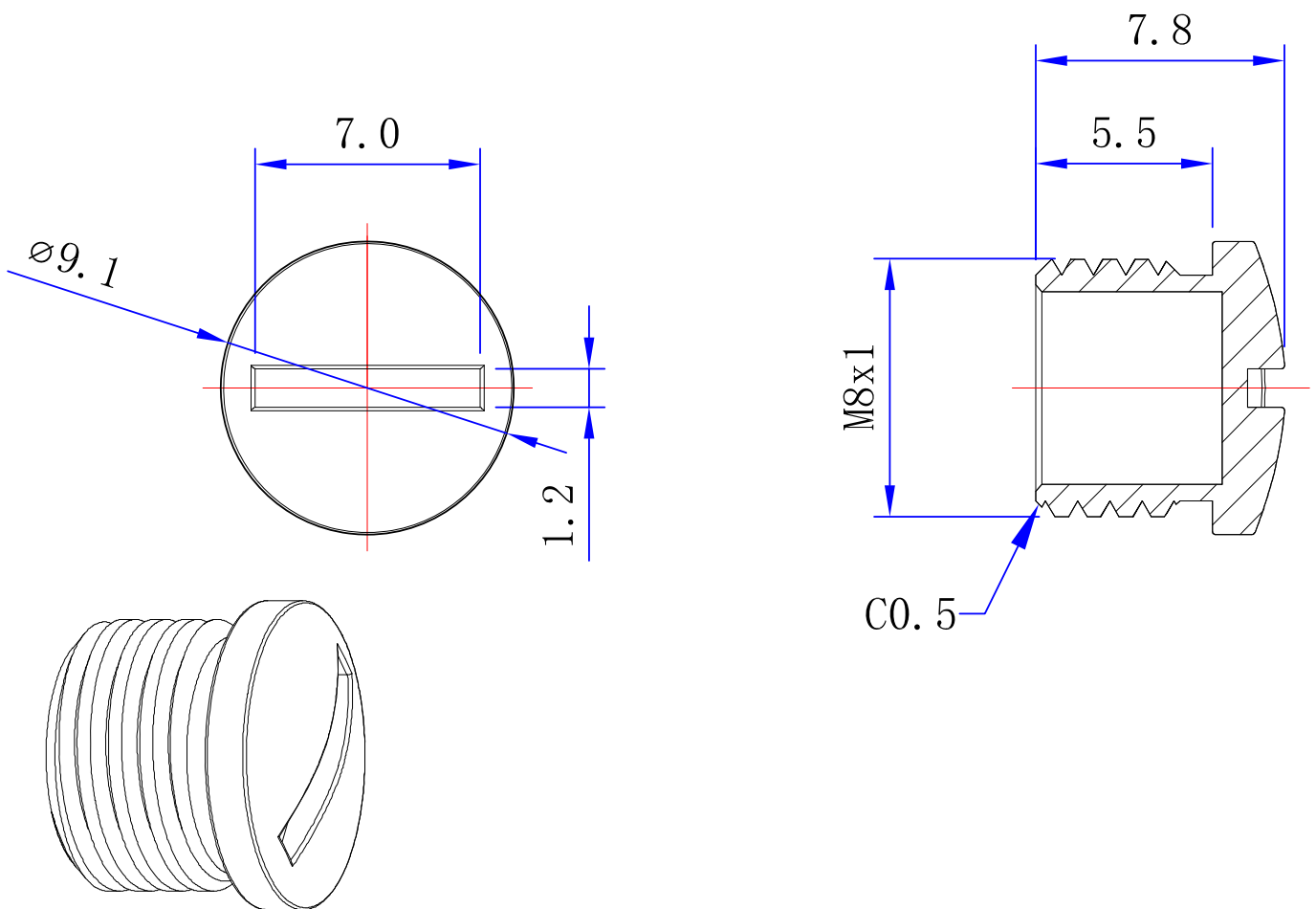
- Protects connector from the dust or water
- For panel receptacle connectors and extension cable connectors
- RoHS compliant



Specification

Body Material	PA66
Colour	Black
Size	M8 x 1
Protection Rating	IP65, IP67

Drawing



Art Nr.
RND 205-01193