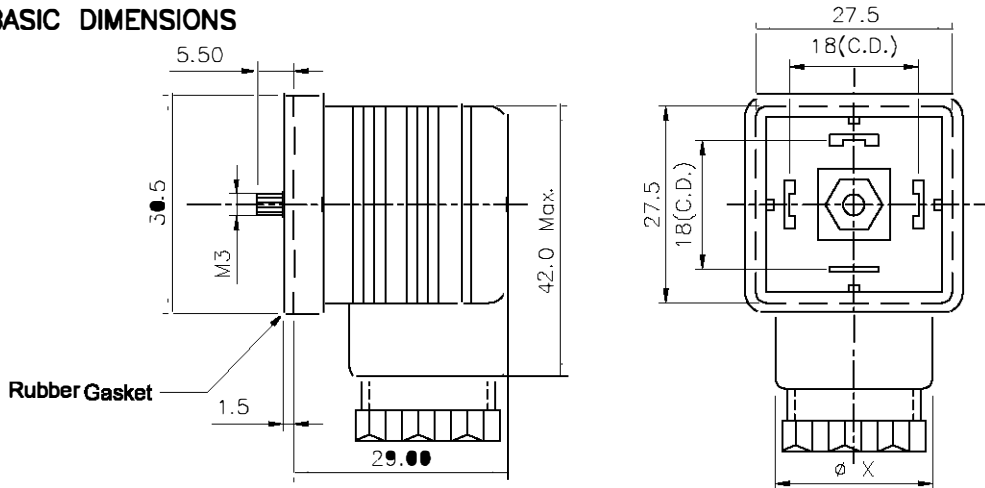


PRODUCT DATA SHEET

BASIC DIMENSIONS



Gland Size	X
PG-9	22.00

1 a
b

SPECIFICATION TABLE

SR.NO.	PARAMETER		SPECIFICATION
1	Connector Type		Solenoid Connector
2	V/A Rating (Non-illuminated)		10 A 25 VAC
3	Voltage Rating (illuminated)		12 VDC 24 VDC 48 VDC 110 VDC 230 VDC 110 VAC 230 VAC
4	Contact Resistance (Initial)		20 m ohms max.
5	Insulation Resistance At 500 V DC		100 M ohms min.
6	H.V.Break Down Test (For 1-Minute)		2 KV AC
7	Connector Mounting		Screw Mounting
8	Terminals		Screw Type
9	Permissible Temp. With/Without Load		-40°C to 120°C
10	Material.	(a) Body	Non-illuminated: Nylon-6, GF-V2 (Black/Grey) Illuminated: Polycarbonate (Transparent)
		(b) Rubber Gasket	Silicone
		(c) Contacts	Phosphor Bronze, Silver Plated
		(d) Terminals (Square Barrel)	Brass, Tin Plated
		(e) Terminal Screw	Brass, Nickel plated
11	Reference Standard		DIN-43650, ISO 4400, EN-175301-803
12	Approvals		VDE

* : For illuminated range, add respective voltage at location ""#"" in the ordering code

						PRODUCT : Solenoid Connector		CODE :	
R3	Spec. Update		04.08.17	PP	PP	APP		PBM	
R2	Gland Size 22.00	Gland Size 24.00	01.12.16		PGP	CHK		YSB	
R1	Tin Plating	Silver	29.01.12		PBM	DRN	23.02.11	PGP	
REV	IS	WAS	DATE	SIGN	APP.	BY	DATE	SIGN	
UNSP.TOLERANCE		DIMNS. IN mm		WT(Gm) Max.		SCALE:- NTS.		PROJECTION	SHEET
OVER	-	1	10					1 OF 1	
UP TO	±	0.2	0.3	0.5		Moulding, plating details as per Bill of Material Unspecified colour is Black, GF:Glass filled.			
								PME0220V	REVISION R3