



# WSE11-2P2430

PRODUCT PORTFOLIO

**SICK**  
Sensor Intelligence.



Illustration may differ



## Ordering information

| Type         | Part no.   |
|--------------|------------|
| WSE11-2P2430 | 1041394xxx |

Other models and accessories → [www.sick.de/](http://www.sick.de/)

## Detailed technical data

### Features

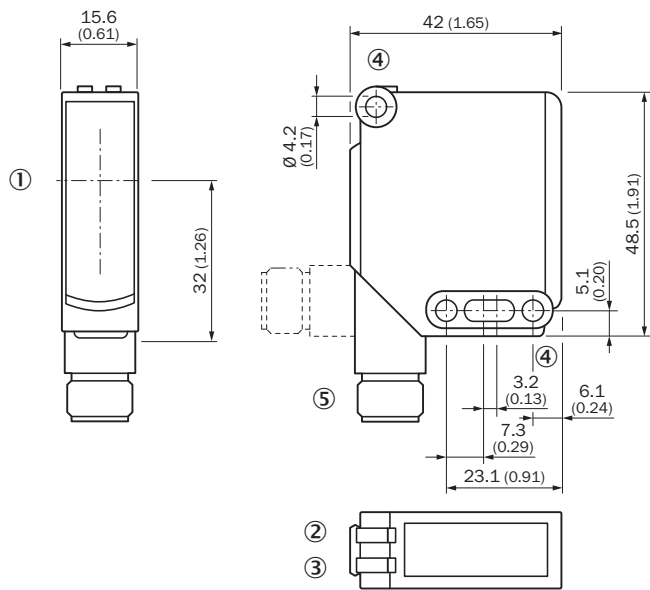
|                                 |                   |
|---------------------------------|-------------------|
| Housing design (light emission) | Rectangular       |
| Focus adjustable                | -, -              |
| Type of light                   | Visible red light |
| Angle of dispersion             | Approx. 1.5°      |
| Test input sender off           | TE to 0 V         |

### Mechanics/electronics

|                             |                     |
|-----------------------------|---------------------|
| Ripple                      | ≤ 5 V <sub>pp</sub> |
| Response time               | 2.5 ms              |
| Protection class            | II <sup>1)</sup>    |
| Polarisation filter         | -, -                |
| Reverse polarity protection | -, -                |
| Short-circuit protection    | -, -                |
| Enclosure rating            | IP 65               |

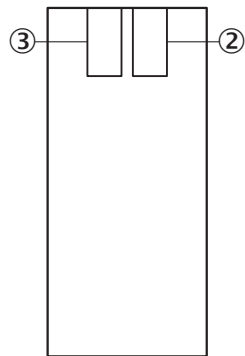
<sup>1)</sup> Reference voltage DC 50 V.

Dimensional drawing (dimensions in mm (inch))



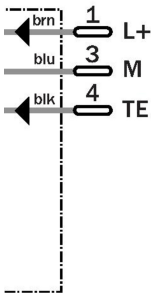
- ① Center of optical axis
- ② Status indicator LED green: supply voltage on
- ③ Status indicator LED, yellow: Status of received light beam
- ④ Mounting hole  $\varnothing$  4.2 mm
- ⑤ Sensitivity control ( 10 revolutions)
- ⑥ Connector M12

Adjustments possible



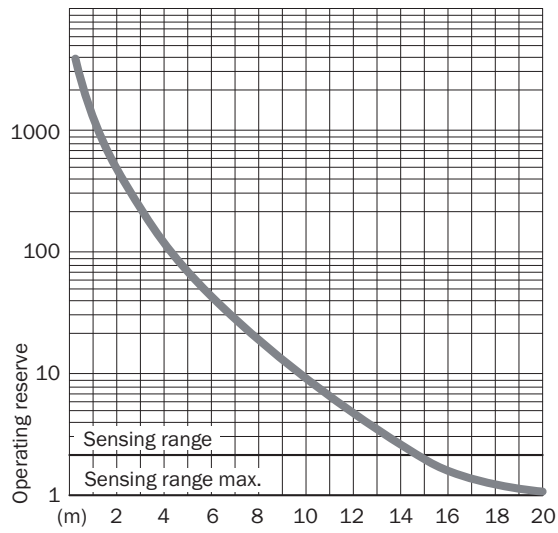
- ② Status indicator LED green: supply voltage on
- ③ Status indicator LED, yellow: Status of received light beam

Connection diagram

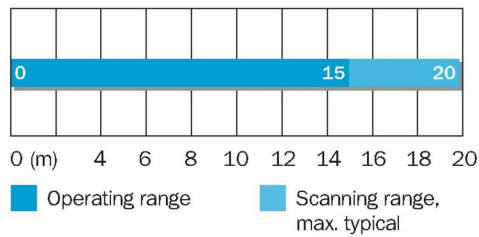


Characteristic curve

WSE11-2



Sensing range diagram



**Australia**

Phone +61 3 9457 0600  
1800 33 48 02 - tollfree  
E-Mail sales@sick.com.au

**Belgium/Luxembourg**

Phone +32 (0)2 466 55 66  
E-Mail info@sick.be

**Brasil**

Phone +55 11 3215-4900  
E-Mail marketing@sick.com.br

**Canada**

Phone +1 905 771 14 44  
E-Mail information@sick.com

**Česká republika**

Phone +420 2 57 91 18 50  
E-Mail sick@sick.cz

**China**

Phone +86 4000 121 000  
E-Mail info.china@sick.net.cn  
Phone +852-2153 6300  
E-Mail ghk@sick.com.hk

**Danmark**

Phone +45 45 82 64 00  
E-Mail sick@sick.dk

**Deutschland**

Phone +49 211 5301-301  
E-Mail info@sick.de

**España**

Phone +34 93 480 31 00  
E-Mail info@sick.es

**France**

Phone +33 1 64 62 35 00  
E-Mail info@sick.fr

**Great Britain**

Phone +44 (0)1727 831121  
E-Mail info@sick.co.uk

**India**

Phone +91-22-4033 8333  
E-Mail info@sick-india.com

**Israel**

Phone +972-4-6801000  
E-Mail info@sick-sensors.com

**Italia**

Phone +39 02 27 43 41  
E-Mail info@sick.it

**Japan**

Phone +81 (0)3 5309 2112  
E-Mail support@sick.jp

**Magyarország**

Phone +36 1 371 2680  
E-Mail office@sick.hu

**Nederland**

Phone +31 (0)30 229 25 44  
E-Mail info@sick.nl

**Norge**

Phone +47 67 81 50 00  
E-Mail sick@sick.no

**Österreich**

Phone +43 (0)22 36 62 28 8-0  
E-Mail office@sick.at

**Polska**

Phone +48 22 837 40 50  
E-Mail info@sick.pl

**România**

Phone +40 356 171 120  
E-Mail office@sick.ro

**Russia**

Phone +7-495-775-05-30  
E-Mail info@sick.ru

**Schweiz**

Phone +41 41 619 29 39  
E-Mail contact@sick.ch

**Singapore**

Phone +65 6744 3732  
E-Mail sales.gsg@sick.com

**Slovenija**

Phone +386 (0)1-47 69 990  
E-Mail office@sick.si

**South Africa**

Phone +27 11 472 3733  
E-Mail info@sickautomation.co.za

**South Korea**

Phone +82 2 786 6321/4  
E-Mail info@sickkorea.net

**Suomi**

Phone +358-9-25 15 800  
E-Mail sick@sick.fi

**Sverige**

Phone +46 10 110 10 00  
E-Mail info@sick.se

**Taiwan**

Phone +886-2-2375-6288  
E-Mail sales@sick.com.tw

**Türkiye**

Phone +90 (216) 528 50 00  
E-Mail info@sick.com.tr

**United Arab Emirates**

Phone +971 (0) 4 8865 878  
E-Mail info@sick.ae

**USA/México**

Phone +1(952) 941-6780  
1 800-325-7425 - tollfree  
E-Mail info@sickusa.com

More representatives and agencies  
at [www.sick.com](http://www.sick.com)