



### Electrical features

|  |    |     |
|--|----|-----|
| Number of poles                                      |    | 4   |
| Rated insulation voltage Ui                          | V  | 500 |
| IEC Conventional free air thermal current Ith ≤ 40°C | A  | 125 |
| Rated peak withstand current Ipk                     | kA | 20  |
| Rated short time current Icw 1s                      | kA | 4.5 |

### Connections

|  |                 |         |
|--|-----------------|---------|
| Terminal hole diameter_Option 1        | mm              | 1x9mm   |
| Conductor section connectable_Option 1 | mm <sup>2</sup> | 10...35 |
| Tightening torque Max_Option 1         | Nm              | 7       |
|  | Ibin            | 62      |
| Terminal hole diameter_Option 2        | mm              | 1x7.5mm |
| Conductor section connectable_Option 2 | mm <sup>2</sup> | 10...25 |
| Tightening torque Max_Option 2         | Nm              | 2       |
|  | Ibin            | 18      |
| Terminal hole diameter_Option 3        | mm              | 5x5.3mm |
| Conductor section connectable_Option 3 | mm <sup>2</sup> | 2.5...6 |
| Tightening torque Max_Option 3         | Nm              | 2       |
|  | Ibin            | 18      |

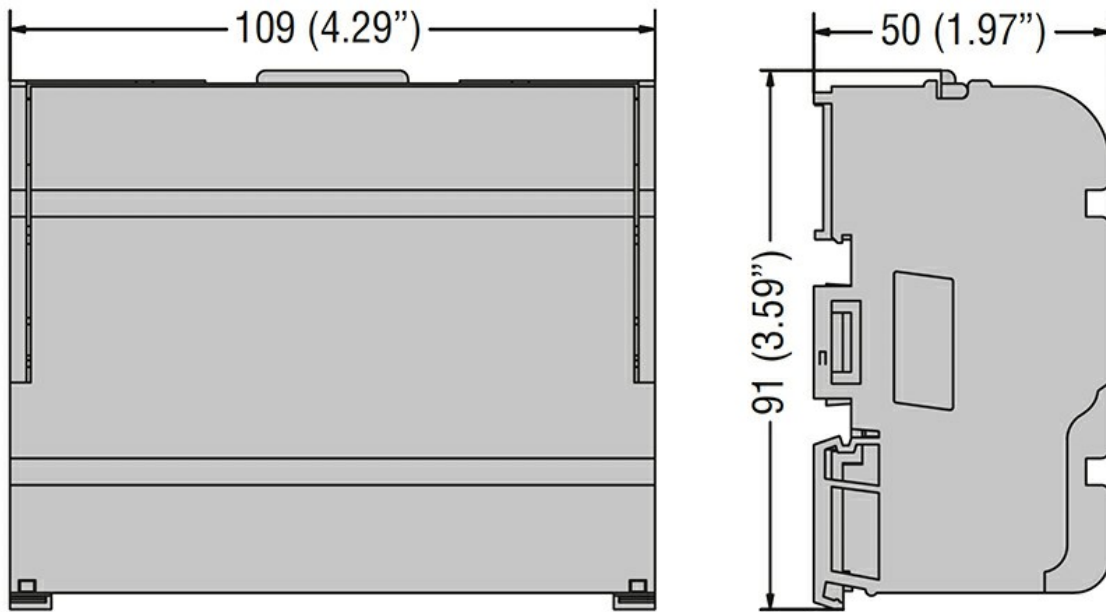
### Mechanical features

|                    |                  |                          |
|--------------------|------------------|--------------------------|
| Operating position | normal allowable | Vertical plane<br>Any    |
| Fixing             |                  | Screw / DIN rail<br>35mm |
| Phillips           |                  | 2                        |
| Weight             | g                | 375                      |

### Resistance & Protection

|                     |            |
|---------------------|------------|
| Terminals IP degree | IP20 front |
|---------------------|------------|

### Dimensions



**Certifications and compliance**

**Certifications**

IEC/EN/BS 60947-7-1

**ETIM classification**

EC000066 - Power contactor, AC switching