

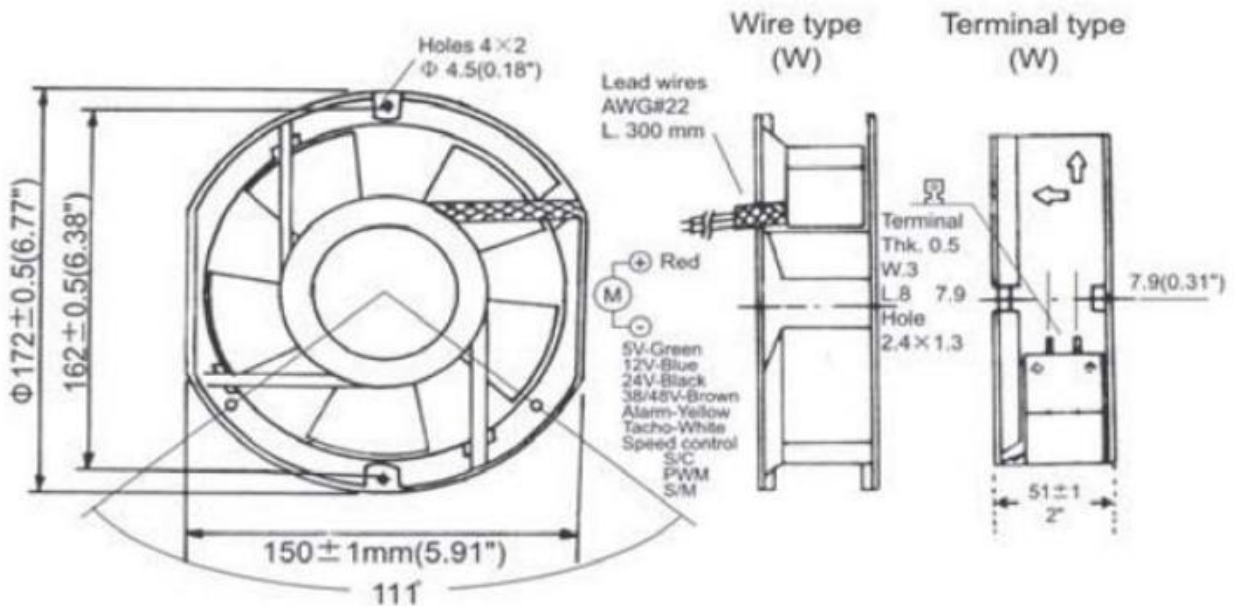
# Datasheet

## DC Axial Fan, 172 Dia. x 51 mm, 399m<sup>3</sup>/h, 23.3W, 24 V dc (OD127SAP Series)

RS Stock 619-6725



### Dimensions: (mm)





### Specifications

- Frame: Die cast Aluminium , Black
- Impeller: Glass Reinforced PBT , UL94V-0

### Available Options

- Tachometer
- Locked Rotor Alarm
- Thermal Speed Control
  
- MOTOR: Brushless DC, polarity protected, locked rotor protected (current limited), auto restart
- INSULATION RESISTANCE :Min. 10 M ohms at 500VDC
- LIFE EXPECTANCY (L10) :Ball Bearing 60,000 Hours
- Operating Temperature :-10C ~ +70C
- Safety Approvals: UL/CUL, TUV, CE

| RS Part No. | Speed | Airflow | Noise | Volts | Voltage | Current | Connection Type |
|-------------|-------|---------|-------|-------|---------|---------|-----------------|
| 6196703     | 3300  | 230     | 52    | 12    | 9~13    | 1.9     | Wire            |
| 6196731     | 3300  | 230     | 52    | 24    | 12~27.6 | 1.9     | Wire            |
| 6196725     | 3300  | 230     | 52    | 24    | 12~27.6 | 1.0     | Wire            |