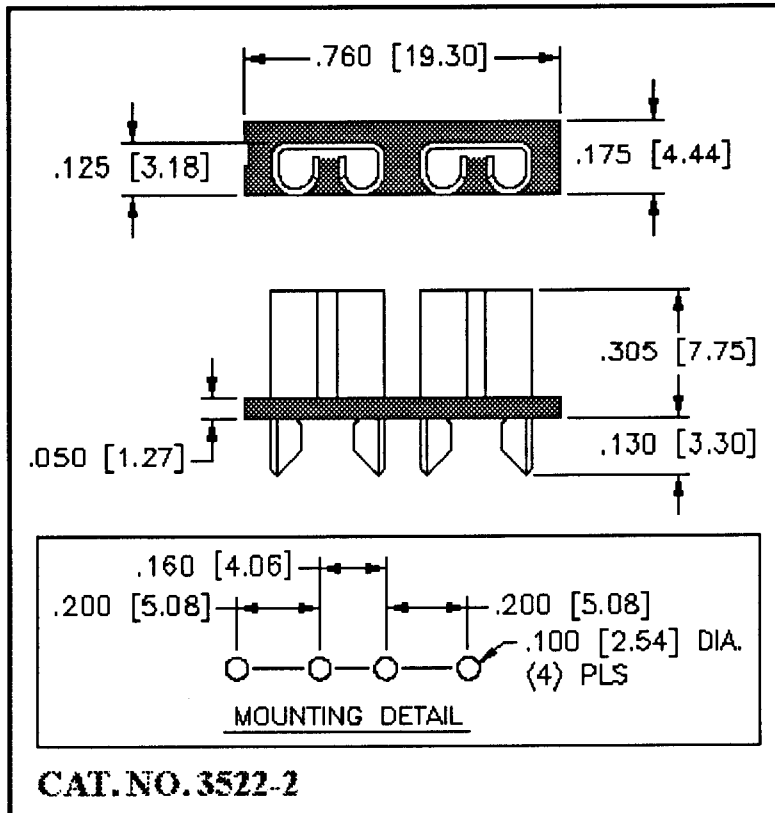


**P.C. Automotive Blade Fuse Holder
For Standard Blade Fuses**

[Click to Request Samples](#)



Specifications

Contacts: Brass, Nickel Plate
Insulator: Glass Filled Black Nylon, UL rated 94V-0
Current Rating: 15 Amps
Voltage Rating: 500VAC
Temperature Rating: -58° F to +292° F (-50° C to +145° C)

[Home Page](#) | [Standard Products](#) | [Go Back](#)