



ENGLISH

Datasheet

RS Article:1854753

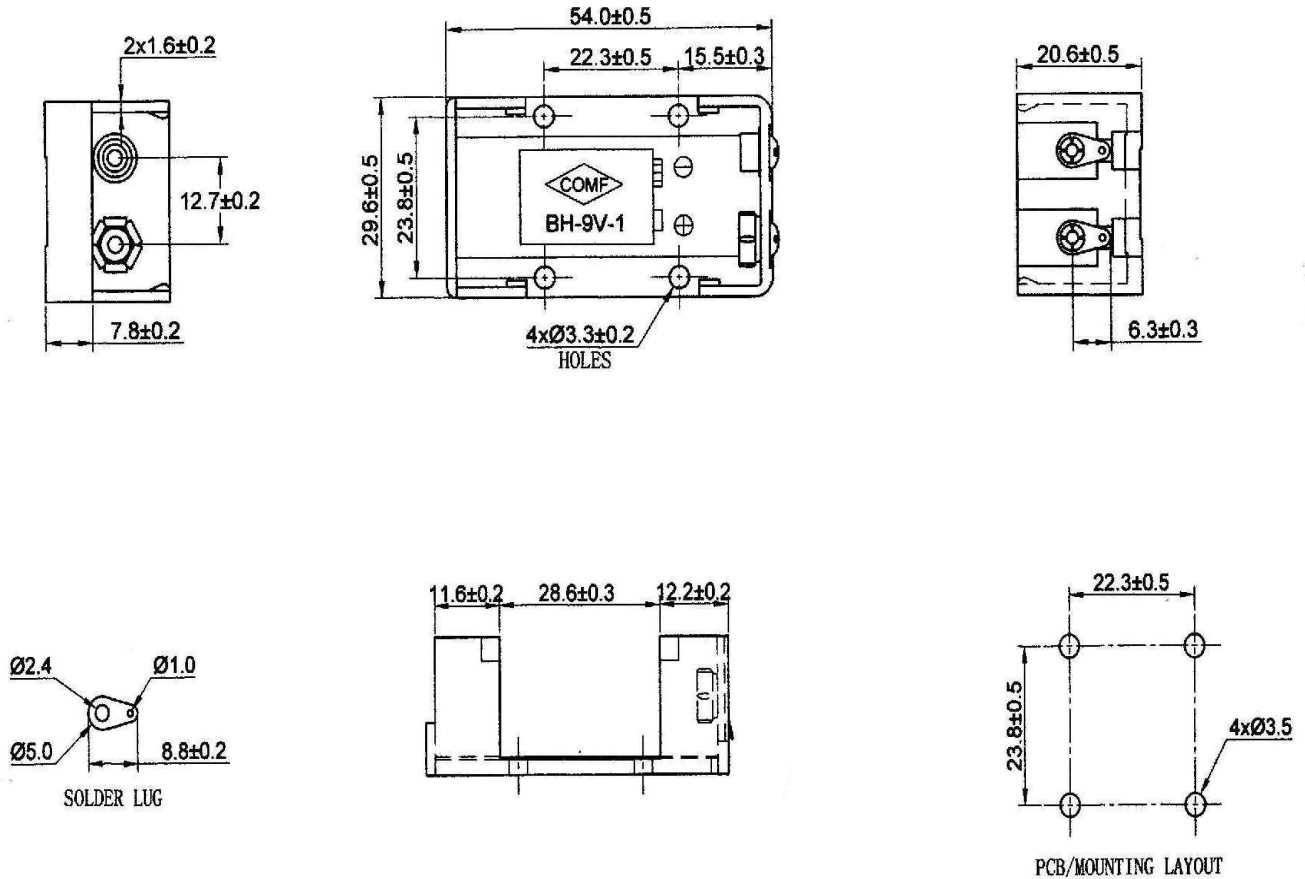
RS Pro Battery Holder



1. Preface:

The purpose of this product specification is to dimension and drawing

9V with Tag



SPECIFICATION

- (1) ITEM NO. : 1854753
- (2) WITH SMALL SOLDER LUG, BRASS NICKEL PLATED
- (3) HOLDER MATERIAL: NYLON RESIN, BLACK COLOR
- (4) WITH 6 PRONG SNAP TERMINAL, BRASS NICKEL PLATED
- (5) RIVET MATERIAL: BRASS NICKEL PLATED
- (6) RoHS COMPLIANT

Measure: mm