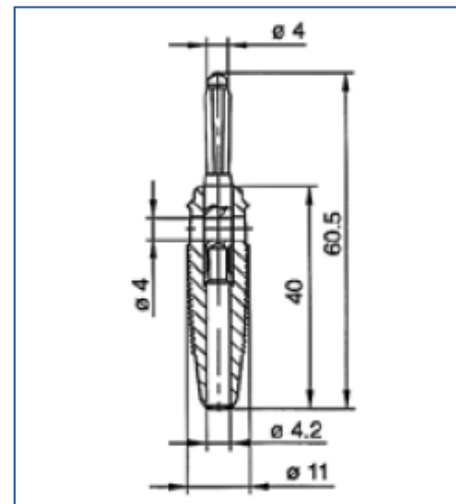


Multiple-Spring Wire Plug : BÜLA 20 K

Multiple-spring wire plug, shatter-proof, flexible insulating sleeve with transverse hole. The tapering sleeve end also serves as kinking protection for the lead. Screw connection up to maximum cable cross-section of 1.5 qmm. Nickel-plated brass contact material.



- **Specification:**
- Operating voltage: 60 V DC
- Working current: 16 A
- Contact resistance: 3 mΩ
- Temperature range: -25°C up to +70°C
- Termination: screw

Item:	Type:	Colour:	≥ 1	≥ 10	≥ 50
930726100	BÜLA 20 K	black			
930726101	BÜLA 20 K	red			
930726102	BÜLA 20 K	blue			
930726103	BÜLA 20 K	yellow			
930726104	BÜLA 20 K	green			