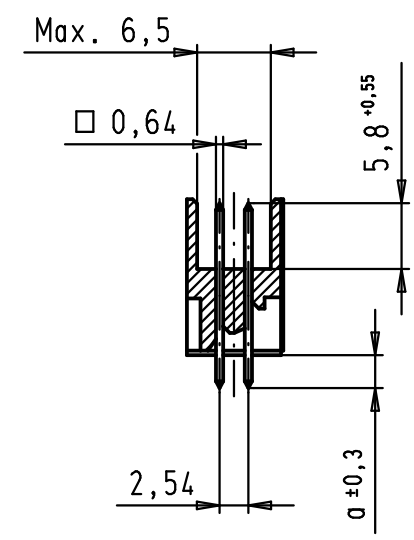
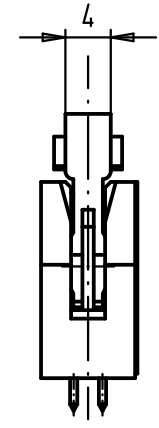
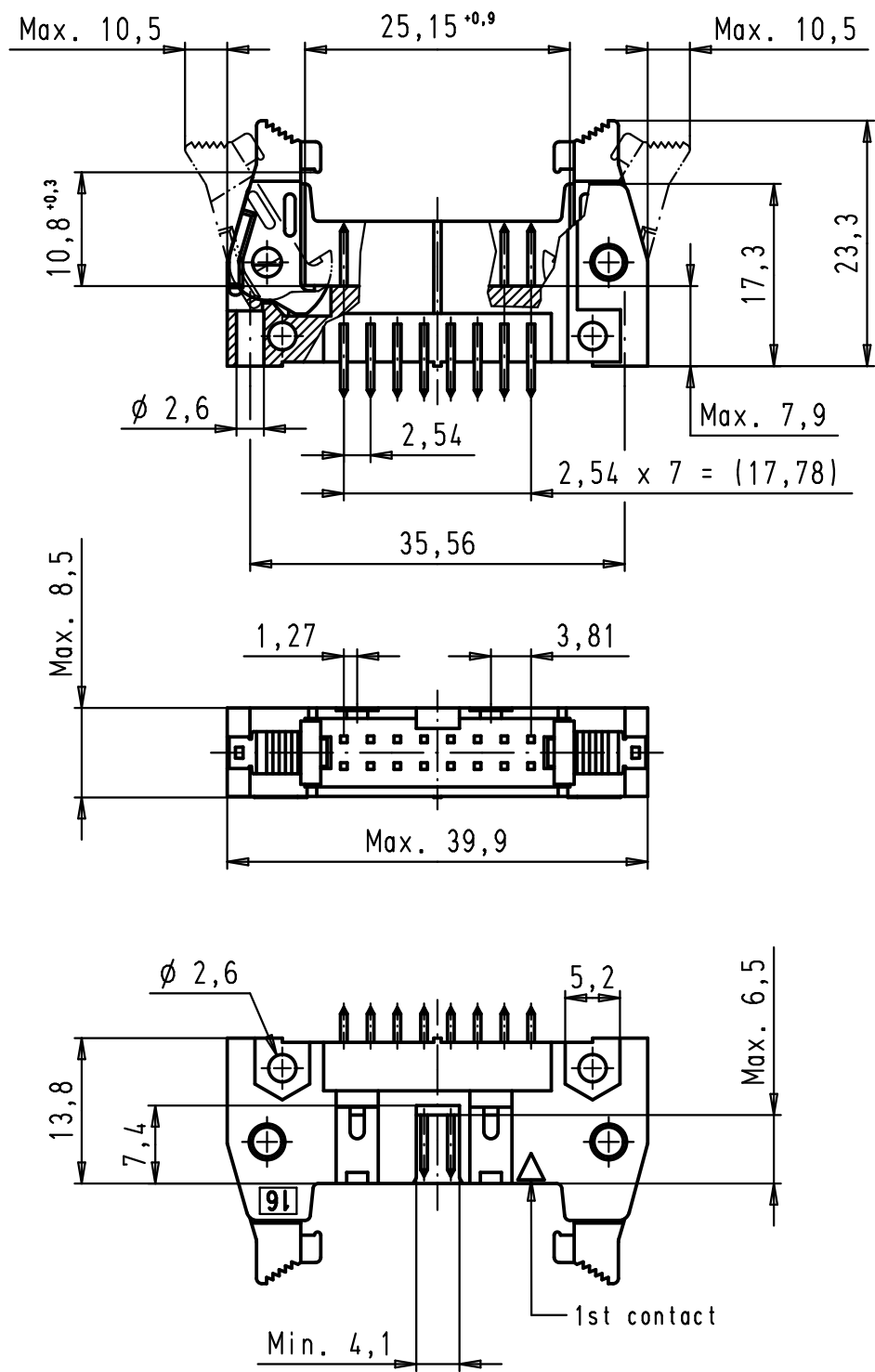
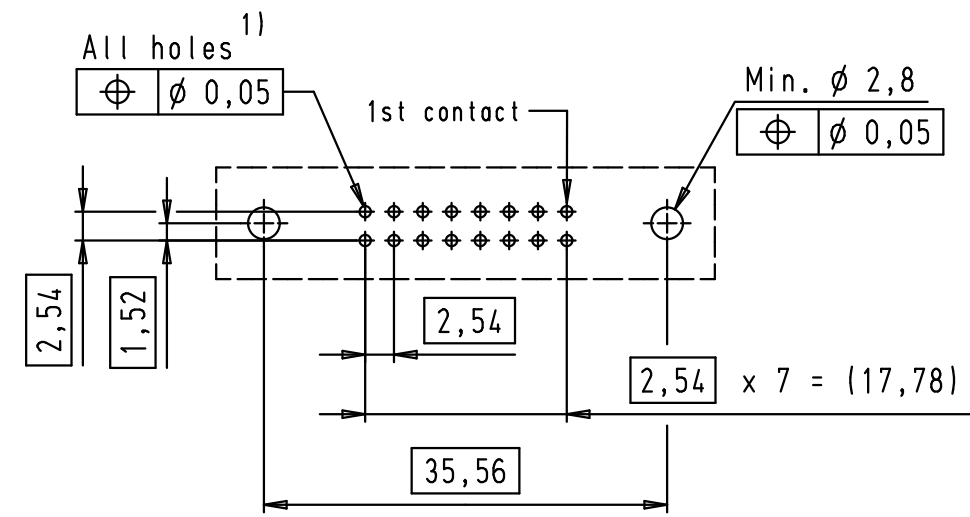


Alle Rechte vorbehalten/ All rights reserved

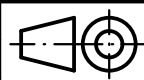



PCB layout, component side



1) Solder pins for PCB connections $\phi 1 \pm 0,1$ according to IEC 60 326-3

09 18 516 7912 001	3	4,5	Black insulator
09 18 516 6912 001	2	4,5	Black insulator
09 18 516 5912 001	0,76 μm Au	4,5	Black insulator
09 18 516 7914 001	3	2,9	Black insulator
09 18 516 6914 001	2	2,9	Black insulator
09 18 516 5914 001	0,76 μm Au	2,9	Black insulator
09 18 516 7912	3	4,5	Standard insulator color
09 18 516 6912	2	4,5	Standard insulator color
09 18 516 5912	0,76 μm Au	4,5	Standard insulator color
09 18 516 7914	3	2,9	Standard insulator color
09 18 516 6914	2	2,9	Standard insulator color
09 18 516 5914	0,76 μm Au	2,9	Standard insulator color
Part number	Performance level	a	Index designation

Mod.	Dat.	Name	Dat.	Name	 SEK 18 Male Connector Standard 16 poles Straight solder pins Short locking levers	Maßstab/ Scale
			Detail.	01/12/99		JB
36255	04/02/11	SC	Insp.	09/02/11	JB	All Dim. in mm Orig. Size DIN A 3
34900	29/01/08	LP	Stand.			
27931	15/06/00	JB	HARTING EURL F-95972 Paris		 TB 09 18 516 X91X	Blatt/ Page 1 / 2
26554						
			Sub.			