

# XUWSA06W

Vision sensor object standard focal length 6mm white leds



## Main

Range of product	OsiSense XU
Series name	Vision
Electronic sensor type	Vision sensor
Sensor name	XUW
Sensor design	Compact
Detection system	Diffuse

## Complementary

Focal length	6 mm
Setting-up	Focus adjustment by potentiometer
[Sn] nominal sensing distance	6...350 mm
Field of view	5 x 4...260 x 175 mm
Pixel resolution	736 x 480
Technology type	CMOS
Light source	White LED (4 groups of 2 leds)
Tool type	Pattern matching (cycle time:40 ms) Contour (cycle time:60 ms) Contrast (cycle time:4 ms) Brightness (cycle time:4 ms) Greyscale (cycle time:4 ms)
Number of jobs	2
Number of tools per job	32
Acquisition speed	25 frames/s
Number of inputs	2 input(s) PNP or NPN programmable
Input function	External trigger Program selection
Number of outputs	4 output(s) PNP or NPN programmable
Discrete output function	1 NO or 1 NC programmable
Output function governance	Timer Logical functions Ready Valid
Input/output number	2 configurable PNP or NPN programmable
Communication port protocol	Ethernet/IP
Electrical connection	1 male connector, connector type: M12, 12 pins, circuit application: power supply and digital input/output (metal) 1 female connector, connector type: M12, 4 pins, circuit application: Ethernet network (metal)
Enclosure material	ABS Aluminium
Lens material	PMMA
[Us] rated supply voltage	24 V DC, protection type: reverse polarity protection 24 V DC, protection type: short-circuit protection
Supply voltage limits	21...26 V DC
Switching capacity in mA	50 mA by output (resistive or PLC input load) 100 mA ejector output (inductive load)
Current consumption	<= 200 mA at no-load
Delay first up	13 s
Depth	65 mm

The information provided in this documentation contains general descriptions and/or technical characteristics of the performance of the products contained herein. This documentation is not intended as a substitute for and is not to be used for determining suitability or reliability of these products for specific user applications. It is the duty of any such user or integrator to perform the appropriate and complete risk analysis, evaluation and testing of the products with respect to the relevant specific application or use thereof. Neither Schneider Electric Industries SAS nor any of its affiliates or subsidiaries shall be responsible or liable for misuse of the information contained herein.

Height	45 mm
Width	45 mm
Product weight	0.16 kg
Provided equipment	Mounting clamp XUZASW001 1 CD (software and documentation)

## Environment

product certifications	CE CULus
ambient air temperature for operation	0...50 °C
ambient air temperature for storage	-20...60 °C
relative humidity	80 % (non-condensing)
vibration resistance	7 gn +/- 1.5 mm (f=10...55 Hz) conforming to IEC 60068-2-6
shock resistance	30 gn (duration = 11 ms) conforming to IEC 60068-2-27
IP degree of protection	IP65 conforming to IEC 60529 IP67 conforming to IEC 60529

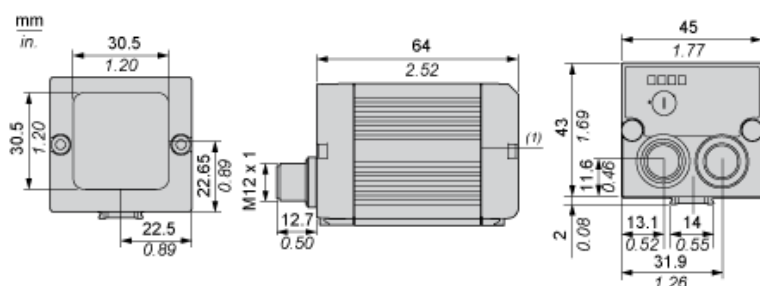
## Offer Sustainability

Sustainable offer status	Not Green Premium product
RoHS (date code: YYWW)	Will not be Compliant

## Contractual warranty

Warranty period	18 months
-----------------	-----------

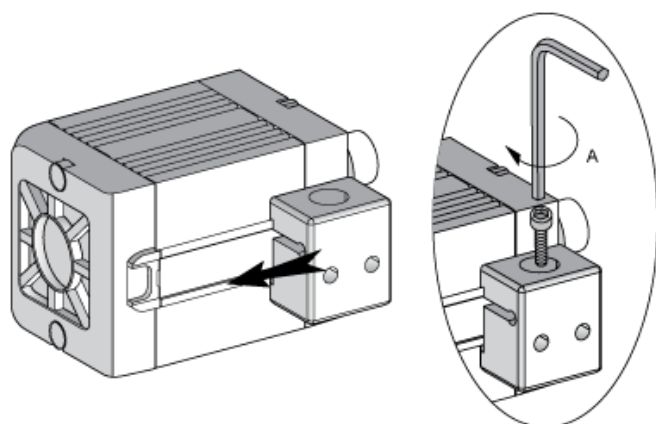
## Dimensions



(1) Optical axis

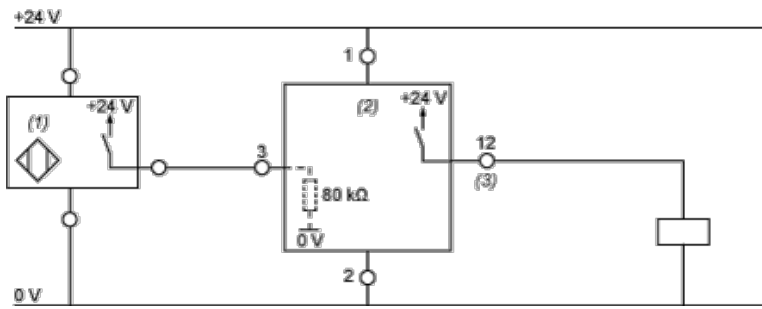
## Mounting

With the Bracket Dovetail Provided with the Sensor



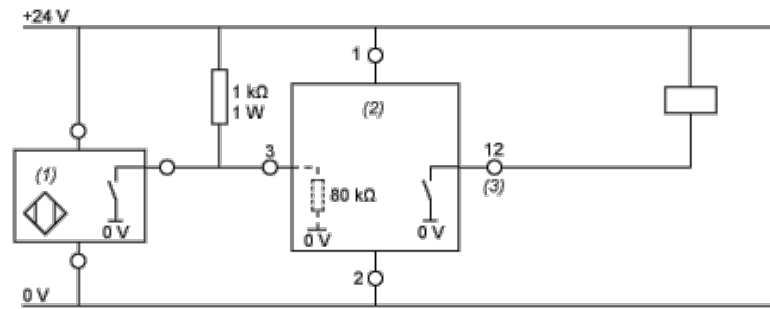
(1) Tightening torque: A = 1.5 N.m (13.28 lb-in)

## Wiring Diagram: Application with PNP Sensor (External Trigger)



- (1) PNP sensor (external trigger)
- (2) XUW...
- (3)  $I_{max} = 100 \text{ mA}$

### Wiring diagram: Application with NPN Sensor (External Trigger)



- (1) NPN sensor (external trigger)
- (2) XUW...
- (3)  $I_{max} = 100 \text{ mA}$

### Connectors



24 Vdc Digital Wires: Assignment

PIN	Color	Use
1	Brown	+Ub (24 Vdc)
2	Blue	GND
3	White	IN (external trigger) <sup>4</sup>
4 <sup>1</sup>	Green	READY <sup>4</sup> output
5	Pink	-
6	Yellow	-
7 <sup>2</sup>	Black	Input/Output <sup>4</sup>
8 <sup>2</sup>	Gray	Input/Output <sup>4</sup>
9	Red	Output (external light) <sup>4</sup>
10	Purple	Input
11	Gray/Pink	Valid <sup>4</sup> output <sup>3</sup>
12	Red/Blue	Output <sup>4</sup> (100 mA ejector)

1 : Ready: Sensor ready for a new trigger

2 : Configurable digital inputs-outputs
3 : VALID: indicates that results are available
4 : PNP or NPN inputs / outputs



Ethernet Connection Wires: Assignment

(M12) 4 pole	Color	PIN(RJ45)	Crossover
1	Yellow	1	RxD+
2	White	3	TxD+
3	Orange	2	RxD-
4	Blue	6	TxD-