

Rod ends with female thread: KBRM and KBLM



Standard design

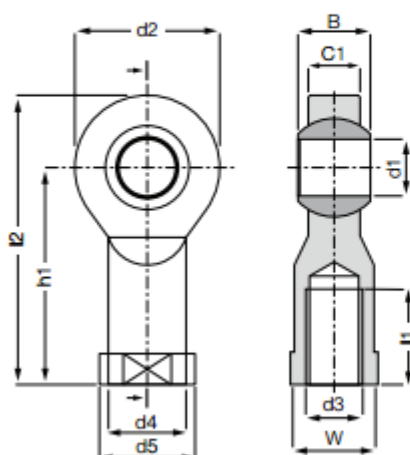
Design with
metal sleeve (MH)

- Maintenance free, self lubricating
- High strength under impact loads
- Very high tensile strength for varying loads
- Compensation of misalignment
- Compensation of edge loads
- Insensitive to dirt, dust and lint
- Corrosion- and chemical-resistant
- High vibration-dampening
- Suitable for rotating, oscillating and linear movements
- Very low weight
- Dimensional series K according to standard DIN ISO 12240
- Available with a metal sleeve for a higher torque

Technical Data

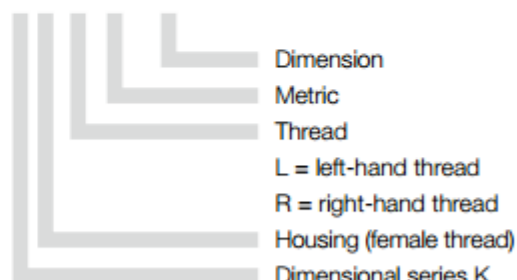
| Part number | | Max. static tensile strength | | Max. static radial load | | Min. thread depth | Max. torque strength | Max. torque through ball | | Weight |
|-------------------|------------------|------------------------------|---------------|-------------------------|---------------|-------------------|----------------------|--------------------------|-----------------------|--------|
| Right-hand thread | Left-hand thread | Short term [N] | Long term [N] | Short term [N] | Long term [N] | Thread [mm] | Inner threading [Nm] | Standard without MH [Nm] | Standard with MH [Nm] | [g] |
| KBRM-02 | KBLM-02 | 200 | 100 | 50 | 25 | 4 | 0.30 | 1 | – | 0.4 |
| KBRM-03 | KBLM-03 | 800 | 400 | 100 | 50 | 5 | 0.50 | 2 | 4 | 2.7 |
| KBRM-05 M4 | KBLM-05 M4 | 1,000 | 500 | 250 | 125 | 7 | 0.75 | 5 | 12 | 3.5 |
| KBRM-05 | KBLM-05 | 1,000 | 500 | 250 | 125 | 7 | 1.00 | 5 | 12 | 3.4 |
| KBRM-06 | KBLM-06 | 1,400 | 700 | 400 | 200 | 8 | 1.50 | 10 | 15 | 4.7 |
| KBRM-08 | KBLM-08 | 2,100 | 1,050 | 700 | 350 | 11 | 5.00 | 12 | 40 | 8.6 |
| KBRM-10 | KBLM-10 | 3,100 | 1,550 | 800 | 400 | 13 | 15.00 | 20 | 50 | 14.6 |
| KBRM-10 F | KBLM-10 F | 3,100 | 1,550 | 800 | 400 | 13 | 6.00 | 20 | 50 | 14.6 |
| KBRM-12 | KBLM-12 | 3,600 | 1,800 | 900 | 450 | 15 | 20.00 | 30 | 70 | 22.0 |
| KBRM-12 F | KBLM-12 F | 3,600 | 1,800 | 900 | 450 | 15 | 15.00 | 30 | 70 | 22.0 |
| KBRM-14 | KBLM-14 | 4,000 | 2,000 | 1,000 | 500 | 17 | 25.00 | 35 | 75 | 30.9 |
| KBRM-16 | KBLM-16 | 4,200 | 2,100 | 1,300 | 650 | 19 | 30.00 | 40 | 110 | 39.6 |
| KBRM-16 F | KBLM-16 F | 4,200 | 2,100 | 1,300 | 650 | 19 | 27.50 | 40 | 110 | 39.6 |
| KBRM-18 | KBLM-18 | 4,600 | 2,300 | 1,600 | 800 | 21 | 45.00 | 45 | 150 | 55.0 |
| KBRM-20 | KBLM-20 | 5,400 | 2,700 | 2,100 | 1,050 | 22 | 60.00 | 55 | 200 | 73.5 |
| KBRM-20 M20 | KBLM-20 M20 | 5,400 | 2,700 | 2,100 | 1,050 | 22 | 60.00 | 55 | 200 | 73.5 |
| KBRM-22 | KBLM-22 | 7,000 | 3,500 | 2,200 | 1,100 | 25 | 75.00 | 60 | – | 94.8 |
| KBRM-25 | KBLM-25 | 8,500 | 4,250 | 2,300 | 1,150 | 28 | 120.00 | 60 | – | 119.8 |
| KBRM-30 | KBLM-30 | 10,500 | 5,250 | 2,500 | 1,250 | 34 | 135.00 | 60 | – | 177.0 |
| KBRM-30 M27x2 | KBLM-30 M27x2 | 10,500 | 5,250 | 2,500 | 1,250 | 34 | 135.00 | 60 | – | 189.6 |

Rod ends with female thread: KBRM and KBLM



Order key

KB...M-02



Material:

Housing: **igumid G** ► page 1267

Spherical ball: **iglidur® W300** ► page 819

Dimensions [mm]

| Part number | | d1 | d2 | d3 | d4 | d5 | C1 | B | | h1 | l1 | l2 | W | Max. pivot angle | |
|-------------------|------------------|-----|----|------------|------|------|------|----|------------|---------|----|-----|------|------------------|--|
| | | E10 | | | | | | | | | | | | | |
| | | | | | | | | | without MH | with MH | | | | | |
| | | | | | | | | | ±0.2 | | | | | | |
| Right-hand thread | Left-hand thread | | | | | | | | | | | | | | |
| KBRM-02 | KBLM-02 | 02 | 9 | M02 | 4.0 | 4.6 | 3.0 | 4 | 4.1 | 12.5 | 6 | 17 | SW04 | 30° | |
| KBRM-03 | KBLM-03 | 03 | 13 | M03 | 6.5 | 8.0 | 4.5 | 6 | 6.1 | 18.5 | 8 | 25 | SW06 | 30° | |
| KBRM-05 M4 | KBLM-05 M4 | 05 | 18 | M04 | 9.0 | 12.0 | 6.0 | 8 | 8.1 | 27 | 10 | 36 | SW09 | 30° | |
| KBRM-05 | KBLM-05 | 05 | 18 | M05 | 9.0 | 12.0 | 6.0 | 8 | 8.1 | 27 | 10 | 36 | SW09 | 30° | |
| KBRM-06 | KBLM-06 | 06 | 20 | M06 | 10.0 | 13.0 | 7.0 | 9 | 9.2 | 30 | 12 | 40 | SW11 | 29° | |
| KBRM-08 | KBLM-08 | 08 | 24 | M08 | 13.0 | 16.0 | 9.0 | 12 | 12.2 | 36 | 16 | 48 | SW14 | 25° | |
| KBRM-10 | KBLM-10 | 10 | 30 | M10 | 15.0 | 19.0 | 10.5 | 14 | 14.2 | 43 | 20 | 58 | SW17 | 25° | |
| KBRM-10 F | KBLM-10 F | 10 | 30 | M10 x 1.25 | 15.0 | 19.0 | 10.5 | 14 | 14.2 | 43 | 20 | 58 | SW17 | 25° | |
| KBRM-12 | KBLM-12 | 12 | 34 | M12 | 18.0 | 22.0 | 12.0 | 16 | 16.2 | 50 | 22 | 67 | SW19 | 25° | |
| KBRM-12 F | KBLM-12 F | 12 | 34 | M12 x 1.25 | 18.0 | 22.0 | 12.0 | 16 | 16.2 | 50 | 22 | 67 | SW19 | 25° | |
| KBRM-14 | KBLM-14 | 14 | 38 | M14 | 20.0 | 25.0 | 13.5 | 19 | 19.2 | 57 | 25 | 76 | SW22 | 25° | |
| KBRM-16 | KBLM-16 | 16 | 42 | M16 | 22.0 | 27.0 | 15.0 | 21 | 21.2 | 64 | 28 | 85 | SW22 | 23° | |
| KBRM-16 F | KBLM-16 F | 16 | 42 | M16 x 1.5 | 22.0 | 27.0 | 15.0 | 21 | 21.2 | 64 | 28 | 85 | SW22 | 23° | |
| KBRM-18 | KBLM-18 | 18 | 46 | M18 x 1.5 | 25.0 | 31.0 | 16.5 | 23 | 23.2 | 71 | 32 | 94 | SW27 | 23° | |
| KBRM-20 | KBLM-20 | 20 | 50 | M20 x 1.5 | 28.0 | 34.0 | 18.0 | 25 | 25.3 | 77 | 33 | 102 | SW30 | 23° | |
| KBRM-20 M20 | KBLM-20 M20 | 20 | 50 | M20 x 2.5 | 28.0 | 34.0 | 18.0 | 25 | 25.3 | 77 | 33 | 102 | SW30 | 23° | |
| KBRM-22 | KBLM-22 | 22 | 56 | M22 x 1.5 | 30.0 | 37.0 | 20.0 | 28 | - | 84 | 37 | 112 | SW32 | 22° | |
| KBRM-25 | KBLM-25 | 25 | 60 | M24 x 2.0 | 32.0 | 41.0 | 22.0 | 31 | - | 94 | 42 | 124 | SW36 | 22° | |
| KBRM-30 | KBLM-30 | 30 | 70 | M30 x 2.0 | 37.0 | 50.0 | 25.0 | 37 | - | 110 | 50 | 145 | SW41 | 22° | |
| KBRM-30 M27x2 | KBLM-30 M27x2 | 30 | 70 | M27 x 2.0 | 37.0 | 50.0 | 25.0 | 37 | - | 110 | 50 | 145 | SW41 | 22° | |

For rod ends with metal insert please add **MH** to the part number. Example: KBRM-10 MH (Inner-Ø: 10 mm).