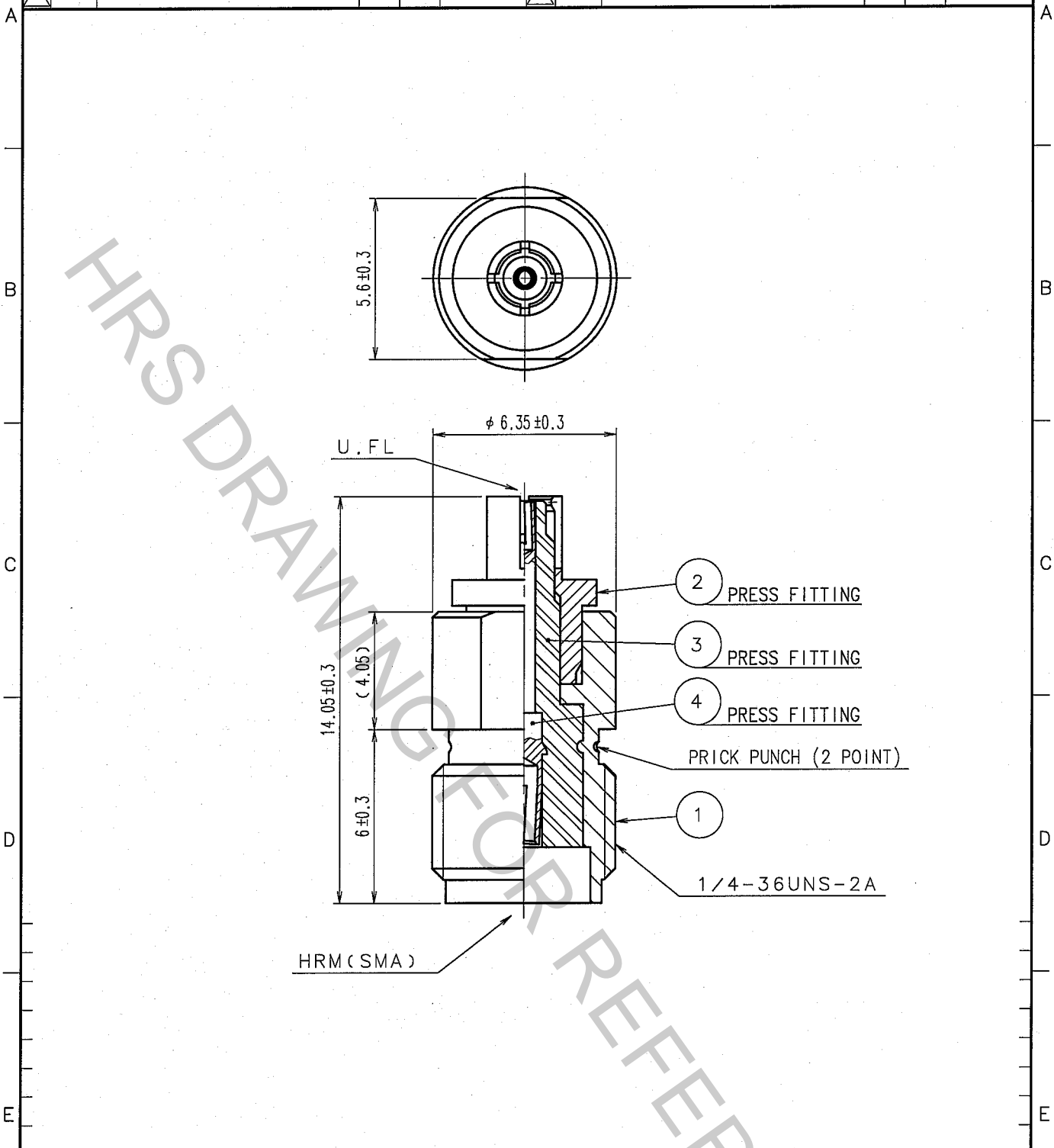


Jun.1.2018 Copyright 2018 HIROSE ELECTRIC CO., LTD. All Rights Reserved.
 In case of consideration for using Automotive equipment/
 device which demand high reliability, kindly contact our sales window correspondents.

1			2			3			4					
COUNT	DESCRIPTION OF REVISIONS	BY	CHKD	DATE	COUNT	DESCRIPTION OF REVISIONS	BY	CHKD	DATE	COUNT	DESCRIPTION OF REVISIONS	BY	CHKD	DATE
△					△					△				
△					△					△				
△					△					△				



2	BERYLLIUM COPPER	NICKEL PLATING	4	BERYLLIUM COPPER	GOLD PLATING
1	BRASS	NICKEL PLATING	3	PTFE	
NO.	MATERIAL	FINISH, REMARKS	NO.	MATERIAL	FINISH, REMARKS

CODE NO. (OLD) CL	DRAWN M. Watanabe	DESIGNED M. Watanabe	CHECKED H. Shimizu	APPROVED I. Mitani	RELEASED
RoHS COMPLIANT					
		'05. 9. 7	'05. 9. 7	'05.09.09	'05-09-12

	DRAWING NO. EDC4-131960-40	PART NO. HRMJ-U.FLP(40)
	 HIROSE ELECTRIC CO.,LTD.	CODE NO. CL311-0301-5-40

TO
RF

