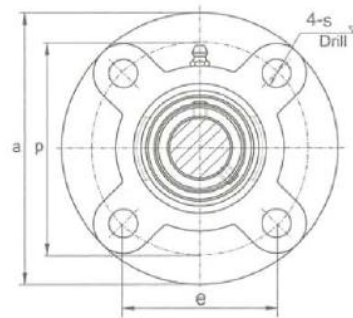
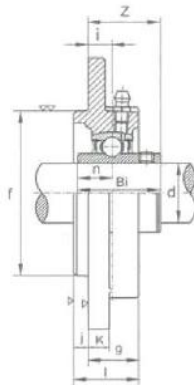


## Flange Cartridge Bearing unit – Metric



RS Article no.	Bearing unit No.	Shaft Dia. d (mm)	Dimension (mm)													Bolt used (mm)	Bearing No.	Housing No.	Weight (kg)
			a	p	e	i	l	s	j	k	g	f	z	Bi	n				
7508813	UCFC204	20	100	78	55.1	10	25.5	12	5	7	20.5	62	28.3	31.0	12.7	M10	UC 204	FC 204	0.78
7508817	UCFC205	25	115	90	63.6	10	27	12	6	7	21.0	70	29.7	34.0	14.3	M10	UC 205	FC 205	0.95
7508826	UCFC206	30	125	100	70.7	10	31	12	8	8	23.0	80	32.2	38.1	15.9	M10	UC 206	FC 206	1.4
7508829	UCFC207	35	135	110	77.8	11	34	14	8	9	26.0	90	36.4	42.9	17.5	M12	UC 207	FC 207	1.7
7508823	UCFC208	40	145	120	84.8	11	36.0	14	10	9	26.0	100	41.2	49.2	19.0	M12	UC 208	FC 208	2.0
7508832	UCFC209	45	160	132	93.3	10	38.0	16	12	14	26.0	105	40.2	49.2	19.0	M14	UC 209	FC 209	2.8
7508835	UCFC210	50	165	138	97.6	10	40.0	16	12	14	28.0	110	42.6	51.6	19.0	M14	UC 210	FC 210	3.0