

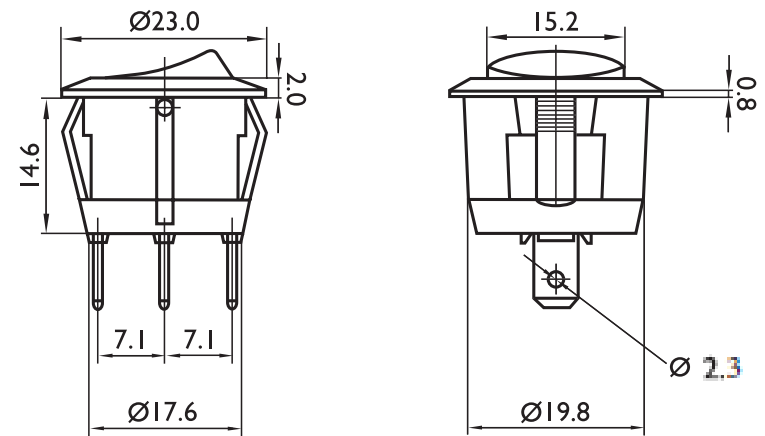


ENGLISH

273312 Round Rocker Switch, Green Illuminated, 12VDC

Specifications

Specifications	273312
Rating	12VDC 10A
Colour	Black body/Green illuminated
Switch action	SP On-off
Maximum contact resistance	30MΩ
Minimum insulation resistance	500VDC 100MΩ
Electrical life	10,000 cycles
Lamp life	approx. 2,000 hours
Operation force	300-600gf
Operating temperature	-25°C~125°C



Approval VDE, UL

Double pole versions available

Features

- ROHS compliant
- Housing material: Nylon #66 UL 94V-2
- Rocker material: PC UL 94HB
- Terminal material: Copper alloy SN or AG plated
- Contact material: AgNi (15) Alloy
- Lamp - Tungsten

