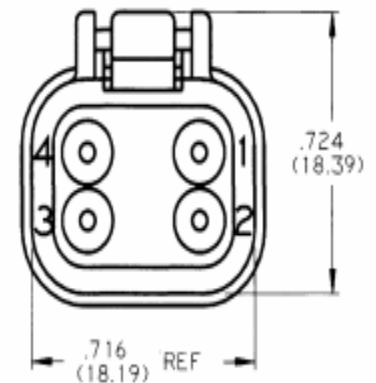
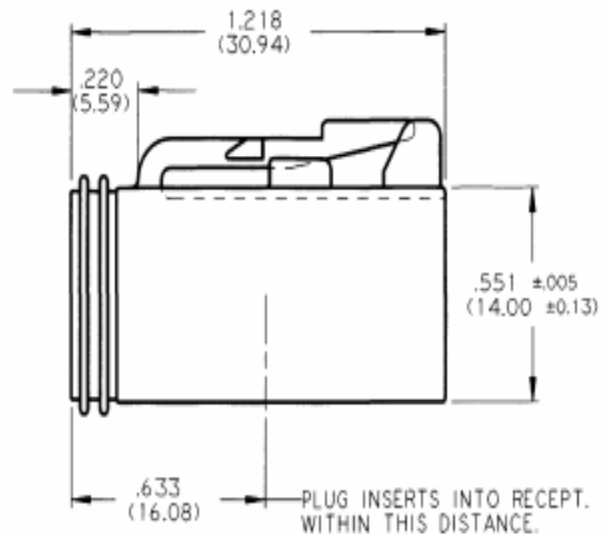
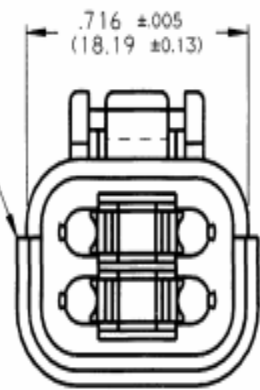


REV
B DT06-4S

REVISIONS			
SYM	DESCRIPTION	DATE	APPROVED
NC	NEW RELEASE PER E.O. A09286	12/5/89	J.A.
A	NEW RELEASE PER E.O. A09335	9/6/90	J.A.
B	NEW RELEASE PER E.O. P15019	4-4-96	RDK

FOR CLARITY THE VIEW OF SEAL IS PARTIAL



- NOTES:
1. ALL DIMENSIONS ARE IN INCHES (METRIC).
 2. ALL DIMENSIONS ARE ± 0.25 (0.63) UNLESS OTHERWISE SPECIFIED.
 3. CONSULT FACTORY FOR CONTACT SPECIFICATION AND APPLICATION.
 4. FOR MORE INFO SEE ENVELOPE DWG.0425-017-0000 AND 0425-015-0000.

SIGNATURE & DATE	
DR	C. WOODRUFF 13 JUL 90
CHK	
FE	<i>Richard James</i> 16-10-90
APPD	<i>R. Kowal</i> 4-4-96
SCALE	NONE
WT	

4 WAY PLUG
D.T. SERIES

ENVELOPE

CP	MATL. CODE
The Deutsch Company DEUTSCH I.P.D. 37140 INDUSTRIAL AVE. HEMET, CALIF. 92343	
DT06-4S	
DWG. NO.	SHEET 1 OF 1