

Features

- 22mm x 30mm panel cutout
- 16A / 250VAC
- 24V options available
- 50,000 mechanical cycles
- DPST, DPDT
- Non illuminated and illuminated versions
- IP65

RS PRO Rocker Switches

RS Stock No.: 7932529, 4561688, 4561694,
4561672, 7932538, 7932531, 7932535



RS PRO is the own brand of RS. The RS PRO Seal of Approval is your assurance of professional quality, a guarantee that every part is rigorously tested, inspected, and audited against demanding standards. Making RS PRO the Smart Choice for our customers.

Product Description

Robust rocker switches with bellows actuator seal. Manufactured in Europe. Designed for panel mount applications.

- *Double pole on-off latching, changeover & illuminated versions*
- *Illuminated red and green with 24V incandescent lamps*
- *Highly visual, luminescent red, green and amber rocker switches with 240V neon lamps*
- *Suitable for applications exposed to dust and splashes of water such as steam cleaners, vacuum cleaners, portable equipment, machine tools and laboratory equipment*
- *IP65 rating*

General Specifications

	7932529	7932535	7932538	7932531
RS Code:				
Contact Configuration	DPDT	DPST	DPST	DPST
Switch Operation	Centre Off, Latching	On-Off, Latching	On-Off, Latching	On-Off, Latching
Illuminated	No	No	Yes	Yes
Lamp Type			Incandescent	Incandescent
Actuator Colour	Black	Black	Red	Green
Actuator Shape	Rectangular	Rectangular	Rectangular	Rectangular
Legend Text	I O II	O I	O I	O I
Legend Text Colour	White	White	Black	Black
Contact Material	Copper alloy, silver plated			
Case Material	PA66			
Actuator Style	Rocker			
RS Code:	4561688	4561694	4561672	

				
Contact Configuration	DPDT	DPST	DPST	
Switch Operation	On-Off Latching	On-Off, Latching	On-Off, Latching	
Illuminated	Yes	Yes	Yes	
Lamp Type	Neon	Neon	Neon	
Actuator Colour	Luminescent Amber/Orange	Luminescent Red	Luminescent Green	
Actuator Shape	Rectangular	Rectangular	Rectangular	
Legend Text	No legend	No legend	No legend	
Contact Material	Copper alloy, silver plated			
Case Material	PA66			
Actuator Style	Rocker			

Electrical Specifications

RS Code:	7932529	7932535, 4561688, 4561694, 4561672	7932538, 7932531
Contact Current Rating	16(6)A	16(8)A	20A
	Resistive load (inductive load)		
AC Voltage Rating	250VAC		
Terminal Type	Blade		
Termination Style	Quick Connect 6.3x0.8mm		
Illumination Voltage	250VAC		24V

Mechanical Specifications

Panel Cut Out Size	22x30mm
Panel Cut Out Width	22mm
Panel Cut Out Height	30mm
Mounting Type	Panel
Mechanical Life	Up to 50,000 cycles
Unit Weight	10g

Operation Environment Specifications

Operating Temperature Range	Housing 120°C / Rocker 55 °C
-----------------------------	------------------------------

Protection Category

IP Rating	IP65
-----------	------

Classification

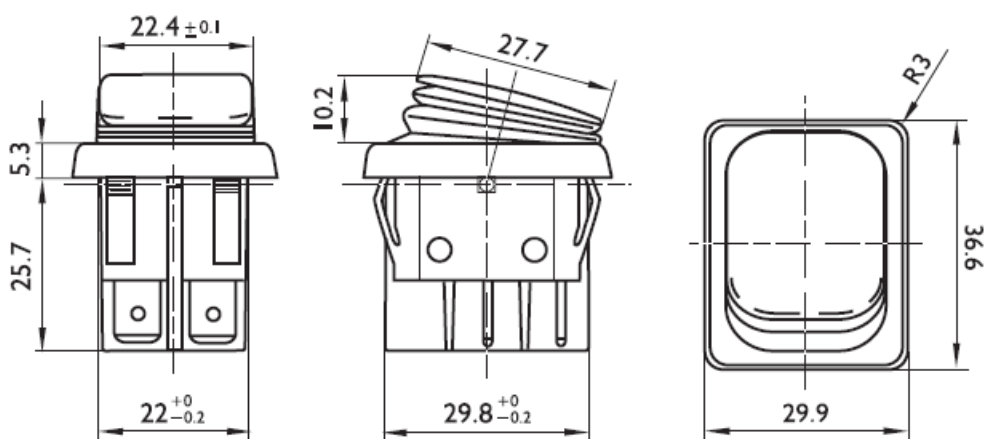
Class of Appliance	II
--------------------	----

Approvals

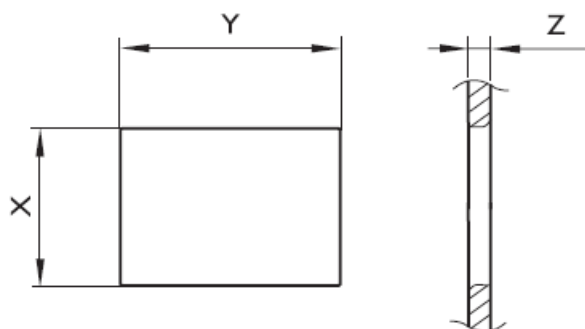
Compliance/Certifications	EN 61058-1, ENEC, UL, CE (250V versions only)
Declarations	GWFI 850°C heat and fire resistance

CONSTRUCTIONAL DIAGRAM/CIRCUIT DIAGRAMS

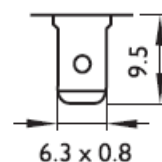
Dimensions (mm)



Cut out (mm)



Termination



Z	Y	X
0.7-1.25	30.2 ± 0.1	22.0 $\pm 0.2 - 0$
1.25-2.0	30.6 ± 0.1	22.0 $\pm 0.2 - 0$
2.0-3.0	30.8 ± 0.1	22.0 $\pm 0.2 - 0$