

Illuminated pushbutton, 30 mm, round, metal, matte, red, front ring for flush installation, latching, Push-to-release mechanism



| | |
|--------------------------|-----------------------------|
| Product brand name | SIRIUS ACT |
| Product designation | Illuminated pushbuttons |
| Design of the product | Actuating/signaling element |
| Product type designation | 3SU1 |

| Enclosure | |
|--------------------------|---|
| Number of command points | 1 |

| Actuator | |
|---|---------------------------|
| Design of the operating mechanism | Flat button |
| Manner of function of the actuating element | Latching |
| Product extension optional Light source | Yes |
| Color | |
| • of the actuating element | Red |
| Material of the actuating element | plastic |
| Shape of the actuating element | round |
| Outer diameter of the actuating element | 38 mm |
| Type of unlocking device | push-to-unlatch mechanism |

| Front ring | |
|------------------------------|-----|
| Product component front ring | Yes |

| | |
|----------------------------|-------------|
| Design of the front ring | Flat |
| Material of the front ring | Metal, matt |
| Color of the front ring | sand gray |

General technical data

| | |
|--|---|
| Protection class IP | IP66, IP67, IP69(IP69K) |
| Degree of protection NEMA rating | NEMA 1, 2, 3, 3R, 4, 4X, 12, 13 |
| Shock resistance | <ul style="list-style-type: none"> • acc. to IEC 60068-2-27 • for railway applications acc. to DIN EN 61373 |
| Operating frequency maximum | 1 800 1/h |
| Mechanical service life (switching cycles) | <ul style="list-style-type: none"> • typical |
| Reference code acc. to DIN EN 81346-2 | S |
| Reference code acc. to DIN EN 61346-2 | S |

Ambient conditions

| | |
|---|--|
| Ambient temperature | <ul style="list-style-type: none"> • during operation • during storage |
| Environmental category during operation acc. to IEC 60721 | 3M6, 3S2, 3B2, 3C3, 3K6 (with relative air humidity of 10 ... 95 %) |

Installation/ mounting/ dimensions

| | |
|---|---------|
| Height | 38 mm |
| Width | 38 mm |
| Shape of the installation opening | round |
| Mounting diameter | 30.5 mm |
| Positive tolerance of installation diameter | 0.5 mm |
| Mounting height | 4.2 mm |
| Installation width | 38 mm |
| Installation depth | 31.1 mm |

Certificates/approvals

| | | |
|--------------------------|---------------------------|-------------------|
| General Product Approval | Declaration of Conformity | Test Certificates |
|--------------------------|---------------------------|-------------------|



[Miscellaneous](#)

[Special Test Certificate](#)

| | |
|-------------------|-------------------|
| Test Certificates | Marine / Shipping |
|-------------------|-------------------|

[Type Test Certificates/Test Report](#)



| | |
|-------------------|-------|
| Marine / Shipping | other |
|-------------------|-------|

[Confirmation](#)



Further information

Information- and Downloadcenter (Catalogs, Brochures,...)

<http://www.siemens.com/industrial-controls/catalogs>

Industry Mall (Online ordering system)

<https://mall.industry.siemens.com/mall/en/en/Catalog/product?mlfb=3SU1061-0JA20-0AA0>

Cax online generator

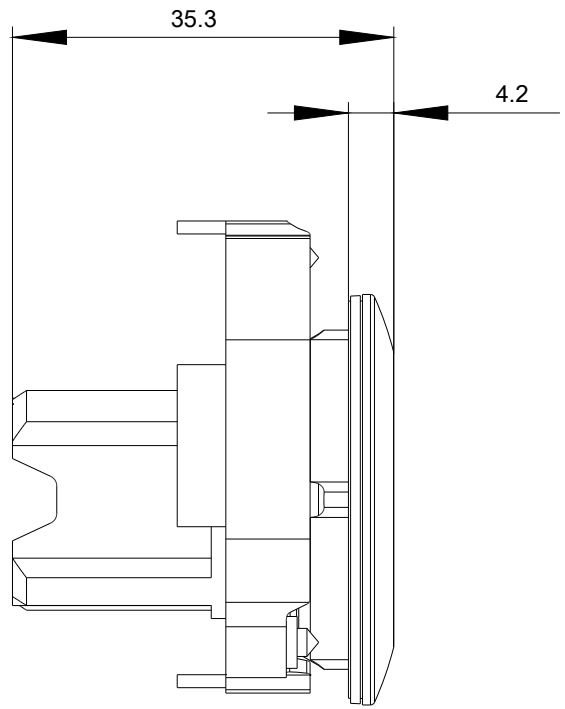
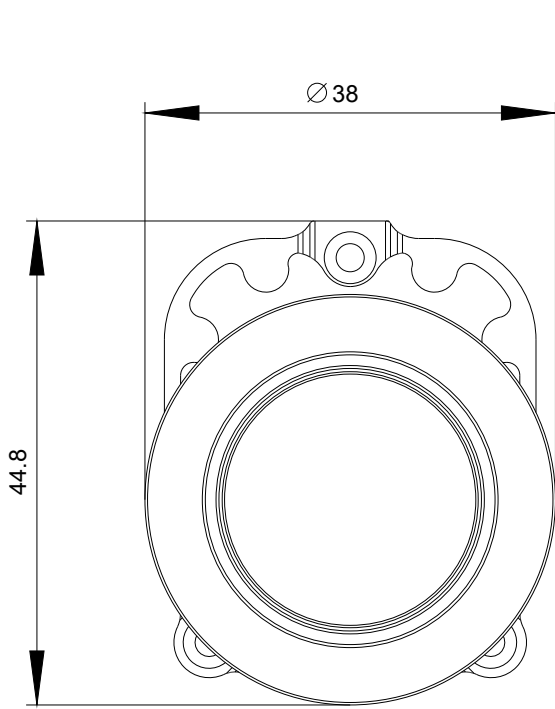
<http://support.automation.siemens.com/WW/CAXorder/default.aspx?lang=en&mlfb=3SU1061-0JA20-0AA0>

Service&Support (Manuals, Certificates, Characteristics, FAQs,...)

<https://support.industry.siemens.com/cs/ww/en/ps/3SU1061-0JA20-0AA0>

Image database (product images, 2D dimension drawings, 3D models, device circuit diagrams, EPLAN macros, ...)

http://www.automation.siemens.com/bilddb/cax_de.aspx?mlfb=3SU1061-0JA20-0AA0&lang=en



last modified:

09/05/2019