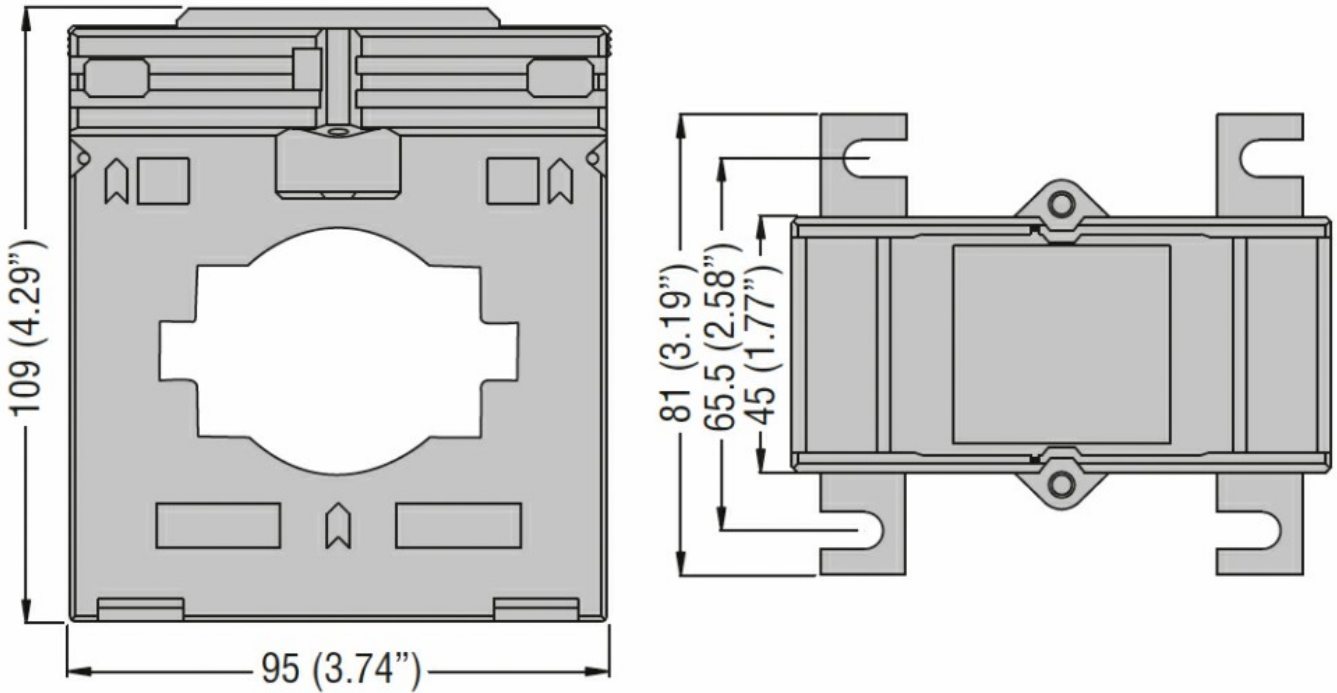




| | | | | |
|--|-----------------------|-----|-----------------------|----------------------|
| Product designation | | | | Current transformers |
| Product type designation | | | | DM34T1500 |
| Type of CT | | | | Solid-core |
| Current inputs | | | | |
| Primary current I _{pn} (/5) | | | A | 1500 |
| Operational frequency | min | Hz | 50 | |
| | max | Hz | 60 | |
| Secondary output current | | | A | 5 |
| Overload withstand I _{pn} | | | % | 120 |
| Burden | cl. 0.5 | VA | 5 | |
| | cl. 1 | VA | 15 | |
| Insulations | | | | |
| Rated insulation voltage U _i IEC/EN | | | V | 720 |
| IEC rated short-time thermal current I _{th} | | | I _{th} for s | 40...60 |
| IEC rated dynamic current I _{dyn} | | | I _{th} for s | 2.5 |
| Insulation dry type | | | | Class E |
| Mechanical features | | | | |
| Terminals type | | | | Screw |
| Fixing | | | | DIN rail or by Screw |
| Weight | | | g | 474 |
| Ambient conditions | | | | |
| Temperature | Operating temperature | min | °C | -25 |
| | | max | °C | +50 |
| | Storage temperature | min | °C | -40 |
| | | max | °C | +80 |
| Relative humidity | | | % | 90 |
| Protection degree | | | | IP30 |
| Dimensions | | | | |



Certifications and compliance

Certifications

IEC/EN/BS 61869-1

IEC/EN/BS 61869-2

Compliance

CE

EAC

UKCA

ETIM classification

EC000066 - Power contactor, AC switching