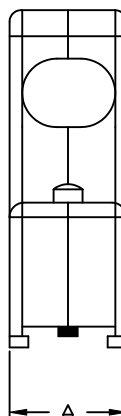
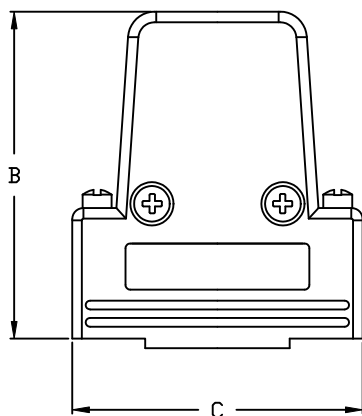


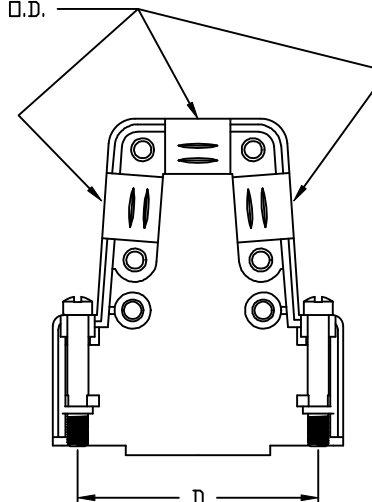
BACKSHELL KIT INCLUDES:

- (2) BACKSHELL HAVLES
- (2) 4-40 JACKSCREWS
- (2) HOUSING SCREWS (self-tapping)
- (2) STRAIN RELIEF CLAMP
- (4) STRAIN RELIEF SCREWS (self-tapping)
- (2) CABLE SLOT SHUT-OFFS

DIMENSIONS (mm/in)					
SIZE	A $\pm \begin{smallmatrix} .38 \\ .015 \end{smallmatrix}$	B $\pm \begin{smallmatrix} .25 \\ .010 \end{smallmatrix}$	C $\pm \begin{smallmatrix} .38 \\ .015 \end{smallmatrix}$	D $\pm \begin{smallmatrix} .38 \\ .015 \end{smallmatrix}$	E
9	15.00	45.20	31.00	24.99	5.84
	0.590	1.780	1.220	0.984	0.230
15	15.00	45.20	40.30	33.32	8.63
	0.590	1.780	1.587	1.312	0.340
25	15.00	45.20	53.50	47.04	10.16
	0.590	1.780	2.106	1.852	0.400
37	15.00	45.20	70.00	63.50	10.54
	0.590	1.780	2.756	2.500	0.415



E = MAX CABLE D.D.



MATERIAL:

BACKSHELL PLASTIC: ABS - UL RECOGNIZED

PLATING: NICKEL

4-40 JACKSCREWS: STEEL - STEEL - Zn PLATED

HOUSING SCREWS: STEEL - STEEL - Zn PLATED

STRAIN RELIEF CLAMP: STEEL - Zn PLATED

STRAIN RELIEF SCREWS: STEEL - Zn PLATED

CABLE SLOT SHUTOFFS: ABS - UL RECOGNIZED - NICKEL PLATED

OPERATING TEMP: -55°C TO +110°C

ORDERING INFORMATON:

SIZE	P/N KITTED:	PRODUCT CODE:
9-WAY	6550-0100-01	MHTRI-M-09-K
15-WAY	6550-0100-02	MHTRI-M-15-K
25-WAY	6550-0100-03	MHTRI-M-25-K
37-WAY	6550-0100-04	MHTRI-M-37-K

THESE DRAWINGS AND SPECIFICATIONS ARE THE PROPERTY OF MH CONNECTORS LTD. AND SHALL NOT BE REPRODUCED, COPIED OR USED AS THE BASIS FOR THE MANUFACTURE OR SALE OF APPARATUS WITHOUT WRITTEN PERMISSION.

DRAWN		DATE	
P. JENKINS		03-14-12	
APPROVED		DATE	
D. CROFT		03-14-12	
SCALE	SHEET	OF	REV:
NTS	1	1	A
DRAWING No			
MHTRI-M SERIES			

RoHS COMPLIANT



MH CONNECTORS LTD.