

# Protistor® size 14x51 gR

690VAC (IEC) / 700VAC (UL)

## SEMICONDUCTOR PROTECTION FUSES

### IEC HIGH-SPEED CYLINDRICAL FUSE-LINKS AC PROTECTION



These Protistor® size 14x51 have been designed to protect power semi conductors, complying with standard IEC 60269-1 and -4. They are extremely high interrupting rating fuses: 690VAC, with large band of ratings (current rating 1 to 63A).

Two models are existing: with or without trip-indicator.

## TECHNICAL DATA OVERVIEW

|                        |            |
|------------------------|------------|
| Ampere Range (A)       | 1 ... 63 A |
| Size per Standard      | 14x51      |
| Speed/Characteristic   | gR         |
| I.R. AC (IEC)          | 160 kA     |
| I.R. AC (UL)           | 200 kA     |
| I.R. DC (UL)           | 50 kA      |
| Rated voltage AC (IEC) | 690 V      |
| Rated voltage AC (UL)  | 700 V      |
| Rated voltage DC (UL)  | 500 V      |

## FEATURES & BENEFITS

- IEC standard 60269-4 compliant
- UL 248-13 compliant
- gR class
- Clearing all overloads
- Improved safety and protection
- Enabling selective coordination among all
- Distribution circuit fuses
- With or without trip-indicator

## STANDARDS

- IEC 60269-4
- UL Recognized
- UL 248-13
- CCC GB 1539.4
- RoHS compliant



# Protistor® size 14x51 gR

690VAC (IEC) / 700VAC (UL)

## PRODUCT RANGE

### CP 14x51 gR with striker

| Catalog number | Reference number | Rated voltage AC (IEC) | Rated current I <sub>n</sub> | Pre-arcing I <sup>2</sup> t | Clearing I <sup>2</sup> t at Rated Voltage | Power dissipation at I <sub>n</sub> | Weight | Package |
|----------------|------------------|------------------------|------------------------------|-----------------------------|--|-------------------------------------|--------|---------|
| FR14GR69V2T    | D1017178         | 690 V                  | 2 A                          | 0.9 A <sup>2</sup> s        | 1.8 A <sup>2</sup> s                       | 1.75 W                              | 20 g   | 10      |
| FR14GR69V4T    | E1017179         | 690 V                  | 4 A                          | 6.7 A <sup>2</sup> s        | 13 A <sup>2</sup> s                        | 2.9 W                               | 20 g   | 10      |
| FR14GR69V6T    | F1017180         | 690 V                  | 6 A                          | 8 A <sup>2</sup> s          | 35 A <sup>2</sup> s                        | 2 W                                 | 20 g   | 10      |
| FR14GR69V8T    | G1017181         | 690 V                  | 8 A                          | 4.3 A <sup>2</sup> s        | 40 A <sup>2</sup> s                        | 2.25 W                              | 20 g   | 10      |
| FR14GR69V10T   | H1017182         | 690 V                  | 10 A                         | 4.3 A <sup>2</sup> s        | 45 A <sup>2</sup> s                        | 2.95 W                              | 20 g   | 10      |
| FR14GR69V12T   | J1017183         | 690 V                  | 12 A                         | 5.4 A <sup>2</sup> s        | 60 A <sup>2</sup> s                        | 4.1 W                               | 20 g   | 10      |
| FR14GR69V16T   | K1017184         | 690 V                  | 16 A                         | 13.1 A <sup>2</sup> s       | 125 A <sup>2</sup> s                       | 4.65 W                              | 20 g   | 10      |
| FR14GR69V20T   | L1017185         | 690 V                  | 20 A                         | 26.8 A <sup>2</sup> s       | 230 A <sup>2</sup> s                       | 4.8 W                               | 20 g   | 10      |
| FR14GR69V25T   | M1017186         | 690 V                  | 25 A                         | 52.5 A <sup>2</sup> s       | 385 A <sup>2</sup> s                       | 5.95 W                              | 20 g   | 10      |
| FR14GR69V32T   | Q1017189         | 690 V                  | 32 A                         | 96.7 A <sup>2</sup> s       | 700 A <sup>2</sup> s                       | 6.9 W                               | 20 g   | 10      |
| FR14GR69V40T   | S1017191         | 690 V                  | 40 A                         | 210 A <sup>2</sup> s        | 1050 A <sup>2</sup> s                      | 7.5 W                               | 20 g   | 10      |
| FR14GR69V50T   | T1017192         | 690 V                  | 50 A                         | 387 A <sup>2</sup> s        | 2250 A <sup>2</sup> s                      | 8.75 W                              | 20 g   | 10      |
| FR14GR69V63T   | V1017193         | 690 V                  | 63 A                         | 617 A <sup>2</sup> s        | 2900 A <sup>2</sup> s                      | 12.5 W                              | 20 g   | 10      |



FR14GR69V63

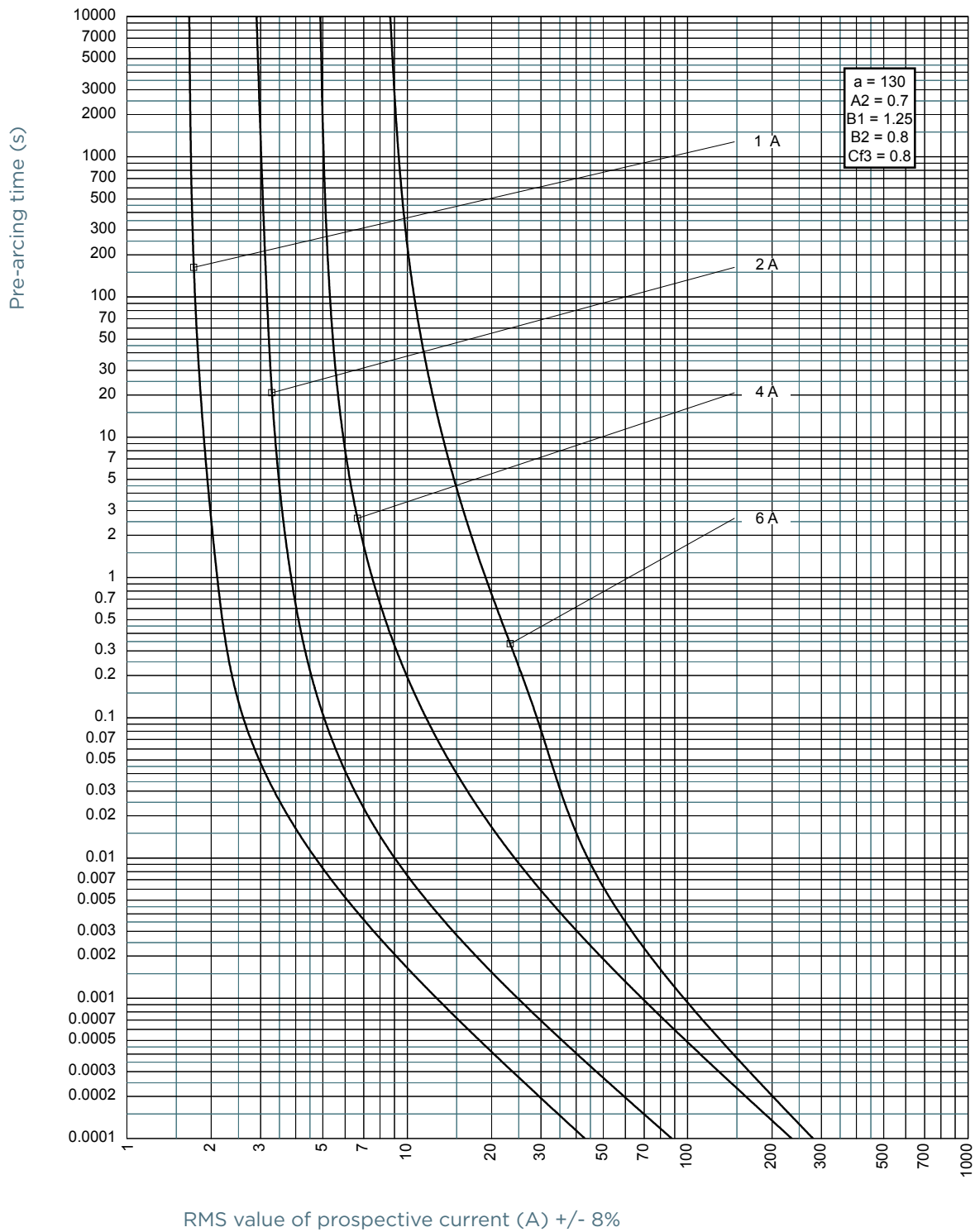
### CP 14x51 gR without striker

| Catalog number | Reference number | Rated voltage AC (IEC) | Rated current I <sub>n</sub> | Pre-arcing I <sup>2</sup> t | Clearing I <sup>2</sup> t at Rated Voltage | Power dissipation at I <sub>n</sub> | Weight | Package |
|----------------|------------------|------------------------|------------------------------|-----------------------------|--|-------------------------------------|--------|---------|
| FR14GR69V1     | X1017195         | 690 V                  | 1 A                          | 0.2 A <sup>2</sup> s        | 0.3 A <sup>2</sup> s                       | 1.15 W                              | 20 g   | 10      |
| FR14GR69V2     | Y1017196         | 690 V                  | 2 A                          | 0.9 A <sup>2</sup> s        | 1.8 A <sup>2</sup> s                       | 1.75 W                              | 20 g   | 10      |
| FR14GR69V4     | Z1017197         | 690 V                  | 4 A                          | 6.7 A <sup>2</sup> s        | 13 A <sup>2</sup> s                        | 2.9 W                               | 20 g   | 10      |
| FR14GR69V6     | A1017198         | 690 V                  | 6 A                          | 8 A <sup>2</sup> s          | 35 A <sup>2</sup> s                        | 2 W                                 | 20 g   | 10      |
| FR14GR69V8     | B1017199         | 690 V                  | 8 A                          | 4.3 A <sup>2</sup> s        | 40 A <sup>2</sup> s                        | 2.25 W                              | 20 g   | 10      |
| FR14GR69V10    | C1017200         | 690 V                  | 10 A                         | 4.3 A <sup>2</sup> s        | 45 A <sup>2</sup> s                        | 2.95 W                              | 20 g   | 10      |
| FR14GR69V12    | D1017201         | 690 V                  | 12 A                         | 5.4 A <sup>2</sup> s        | 60 A <sup>2</sup> s                        | 4.1 W                               | 20 g   | 10      |
| FR14GR69V16    | E1017202         | 690 V                  | 16 A                         | 13.1 A <sup>2</sup> s       | 125 A <sup>2</sup> s                       | 4.65 W                              | 20 g   | 10      |
| FR14GR69V20    | F1017203         | 690 V                  | 20 A                         | 26.8 A <sup>2</sup> s       | 230 A <sup>2</sup> s                       | 4.8 W                               | 20 g   | 10      |
| FR14GR69V25    | G1017204         | 690 V                  | 25 A                         | 52.5 A <sup>2</sup> s       | 385 A <sup>2</sup> s                       | 5.95 W                              | 20 g   | 10      |
| FR14GR69V32    | H1017205         | 690 V                  | 32 A                         | 96.7 A <sup>2</sup> s       | 700 A <sup>2</sup> s                       | 6.9 W                               | 20 g   | 10      |
| FR14GR69V40    | J1017206         | 690 V                  | 40 A                         | 210 A <sup>2</sup> s        | 1050 A <sup>2</sup> s                      | 7.5 W                               | 20 g   | 10      |
| FR14GR69V50    | K1017207         | 690 V                  | 50 A                         | 387 A <sup>2</sup> s        | 2250 A <sup>2</sup> s                      | 8.75 W                              | 20 g   | 10      |
| FR14GR69V63    | L1017208         | 690 V                  | 63 A                         | 617 A <sup>2</sup> s        | 2900 A <sup>2</sup> s                      | 12.5 W                              | 20 g   | 10      |

MERSEN reserves the right to change, update or correct, without notice, any information contained in this datasheet.

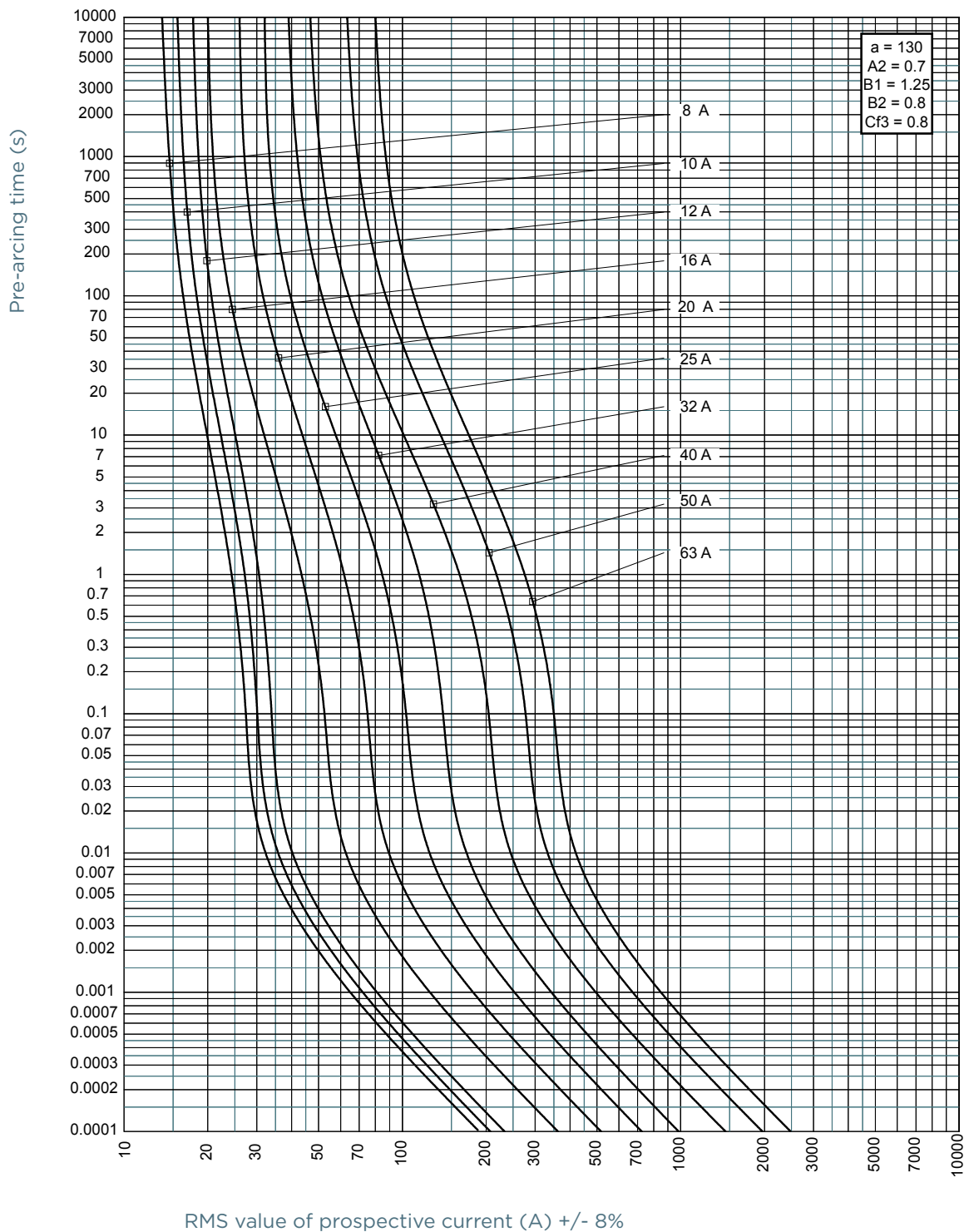
## TIME CURRENT CHARACTERISTIC CURVES

### Size 14x51 gR 1-6A



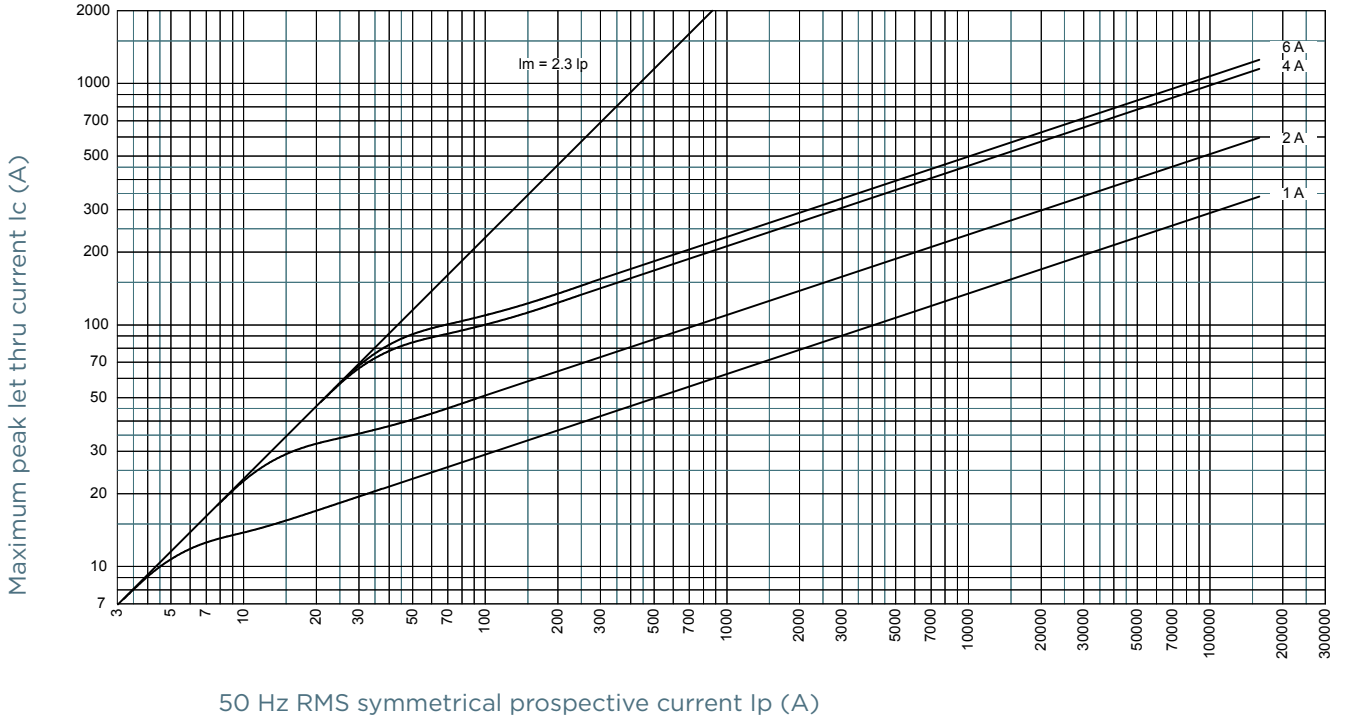
## TIME CURRENT CHARACTERISTIC CURVES

### Size 14x51 gR 8-63A

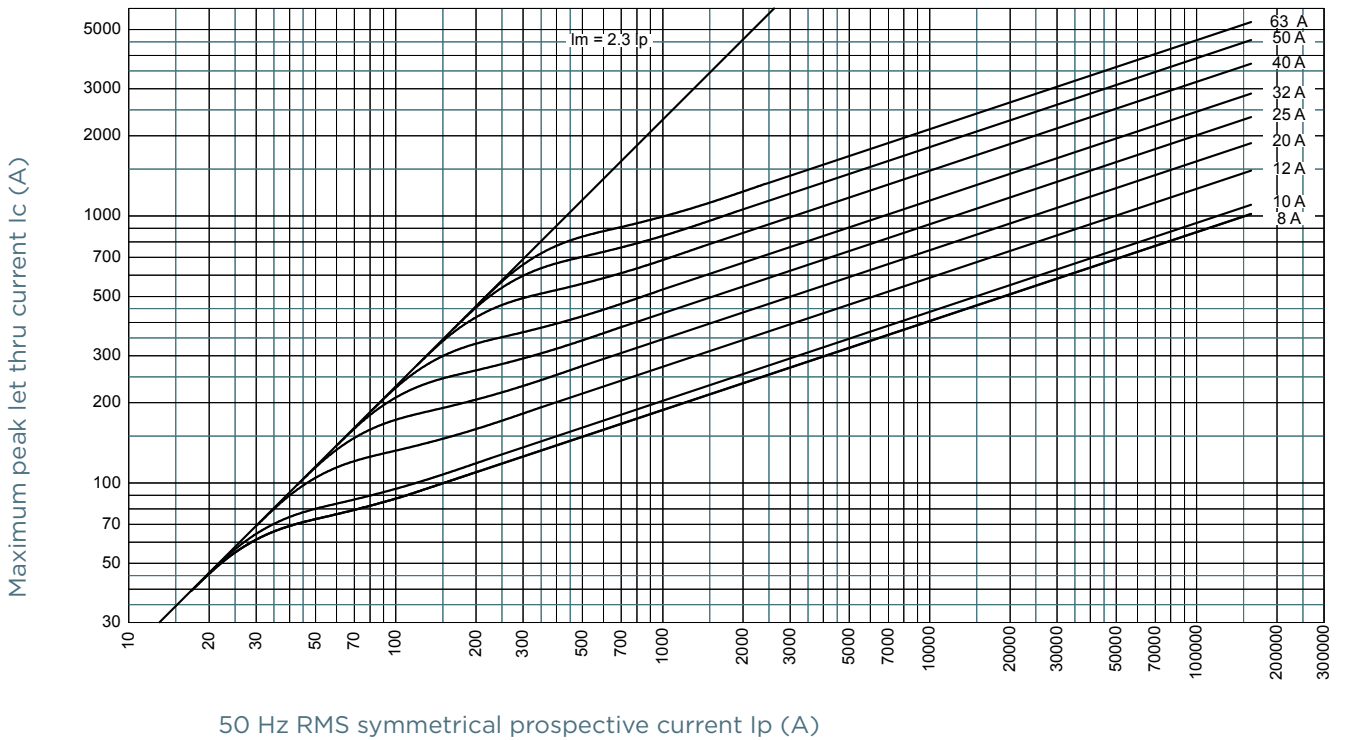


CUT-OFF CURRENT CHARACTERISTIC

Size 14x51 gR 1-6A



Size 14x51 gR 8-63A

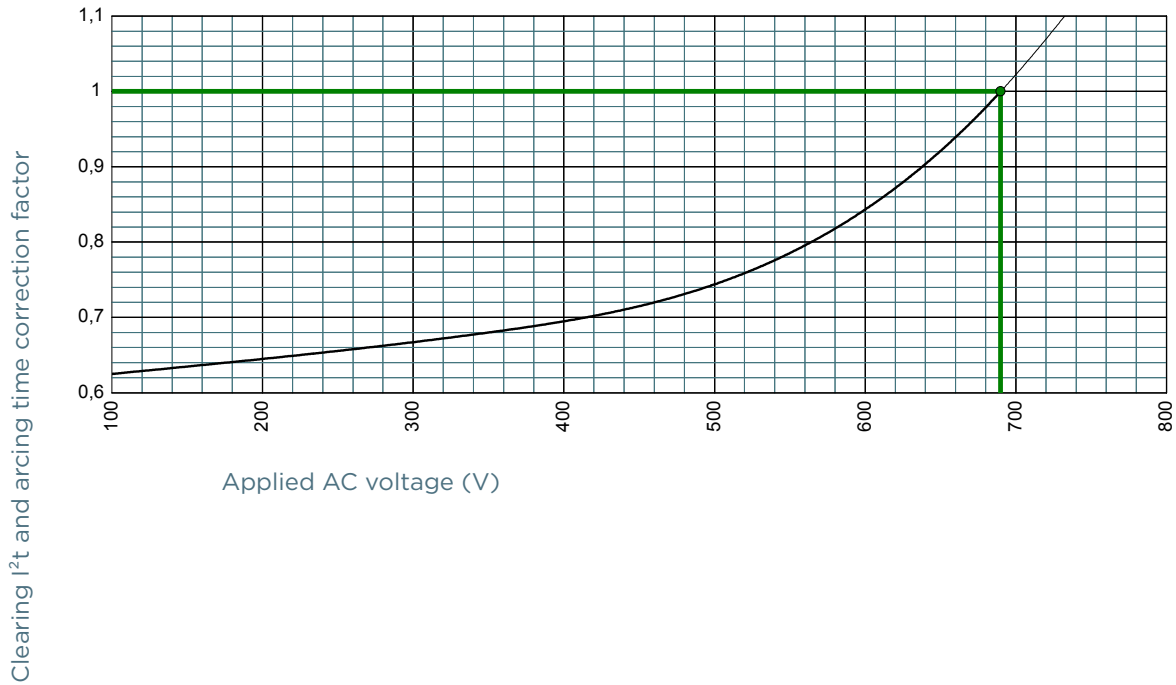


# Protistor® size 14x51 gR

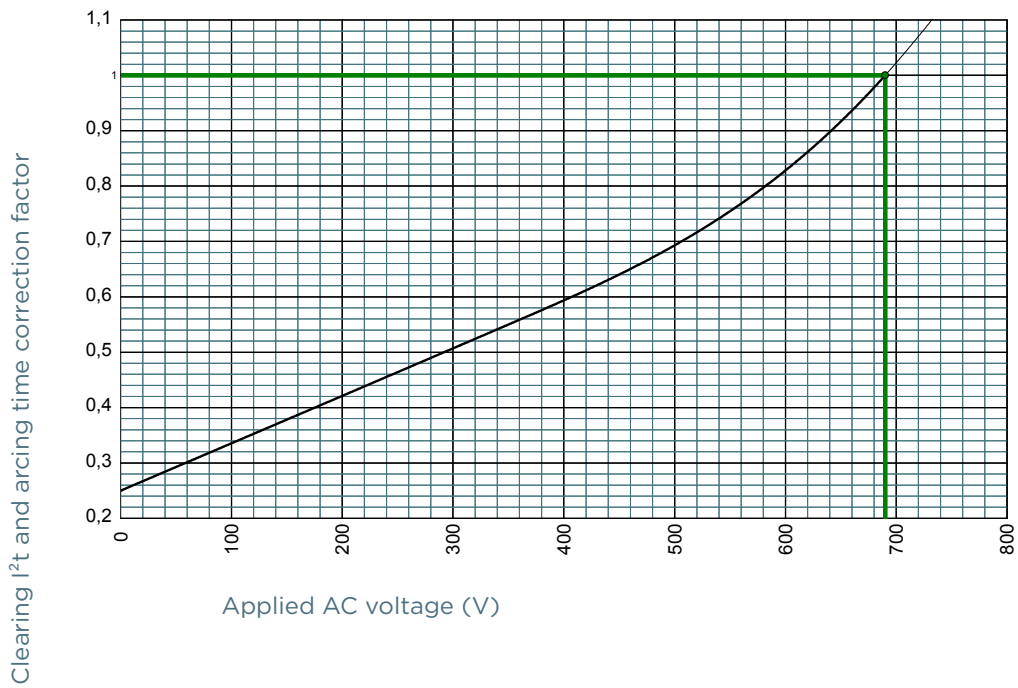
690VAC (IEC) / 700VAC (UL)

## I<sup>2</sup>T MULTIPLIER COEFFICIENT

### Size 14x51 gR 1-6A



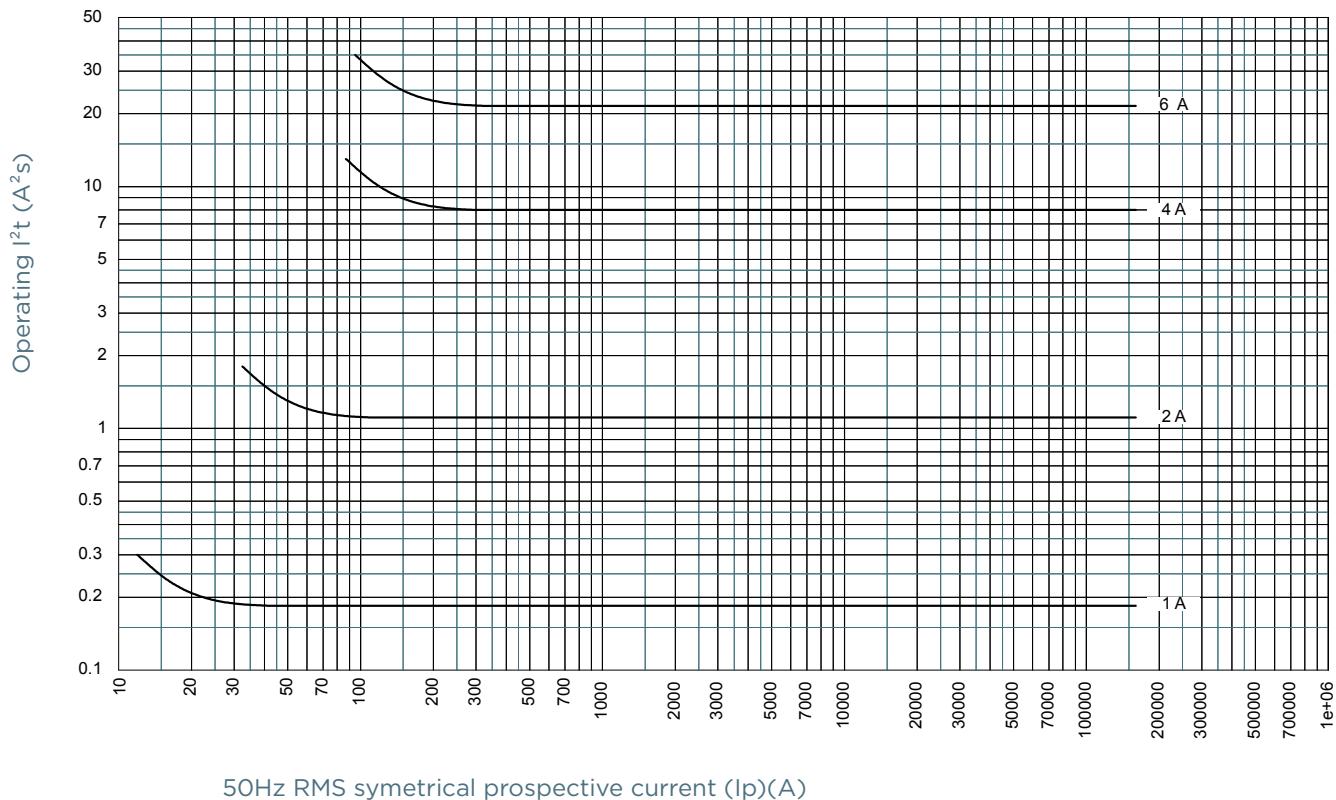
### Size 14x51 gR 8-63A



MERSEN reserves the right to change, update or correct, without notice, any information contained in this datasheet.

## CHARACTERISTICS TOTAL I<sup>2</sup>T CURVE

### Size 14x51 gR 1-6A



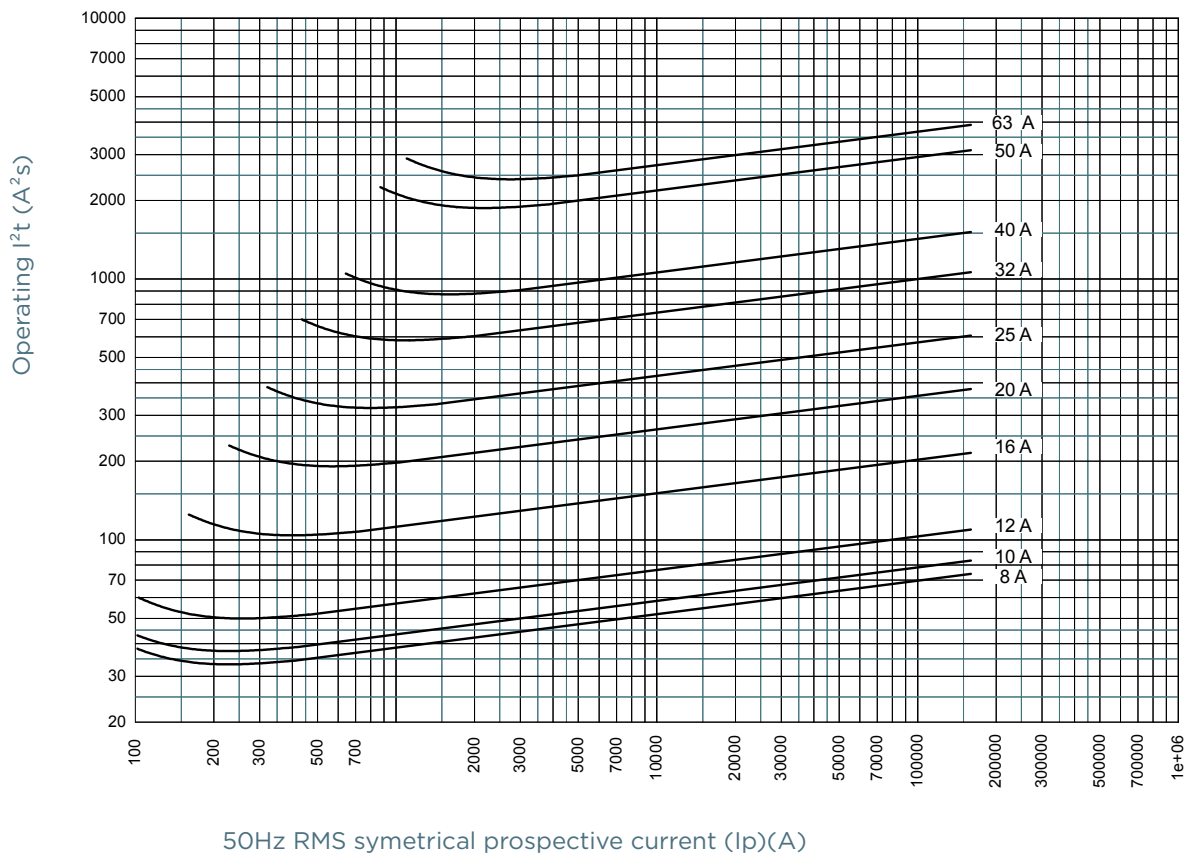
MERSEN reserves the right to change, update or correct, without notice, any information contained in this datasheet.

# Protistor® size 14x51 gR

690VAC (IEC) / 700VAC (UL)

## CHARACTERISTICS TOTAL I<sup>2</sup>T CURVE

### Size 14x51 gR 8-63A



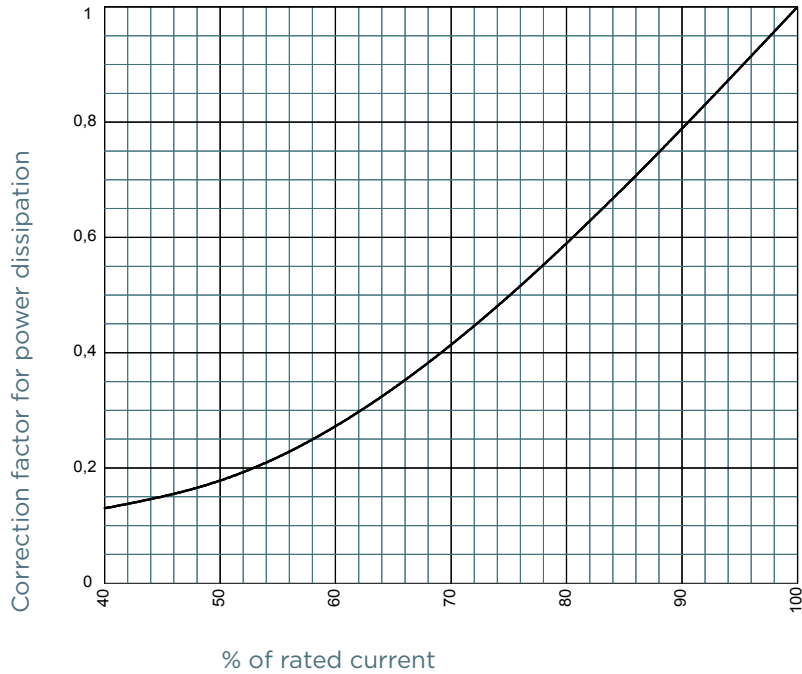


# Protistor® size 14x51 gR

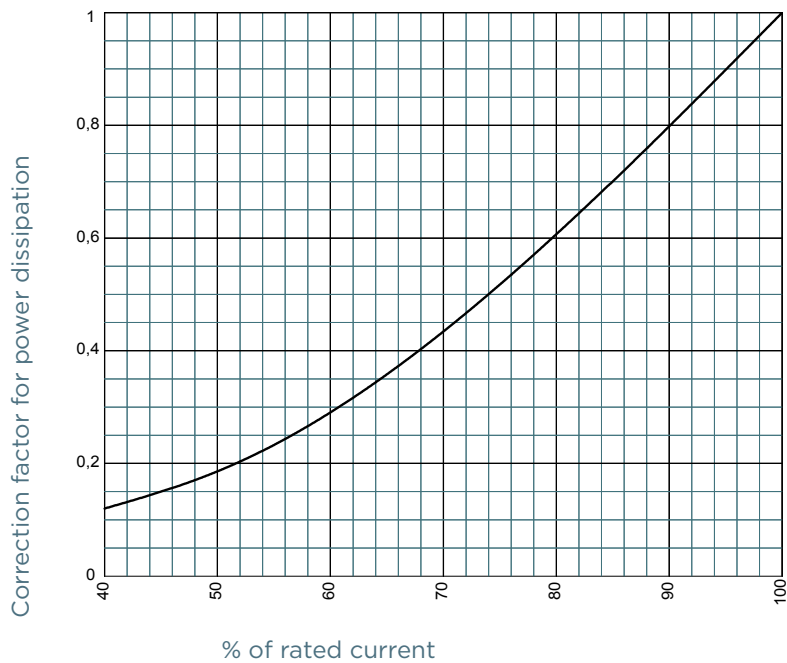
690VAC (IEC) / 700VAC (UL)

## POWER DISSIPATION

### Size 14x51 gR 1-6A



### Size 14x51 gR 8-63A



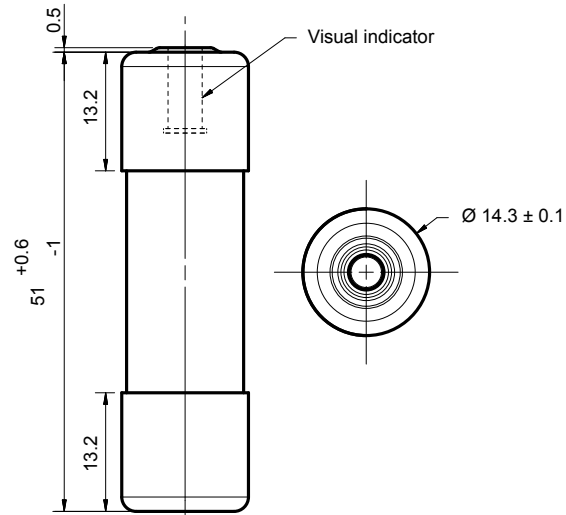
MERSEN reserves the right to change, update or correct, without notice, any information contained in this datasheet.

# Protistor® size 14x51 gR

690VAC (IEC) / 700VAC (UL)

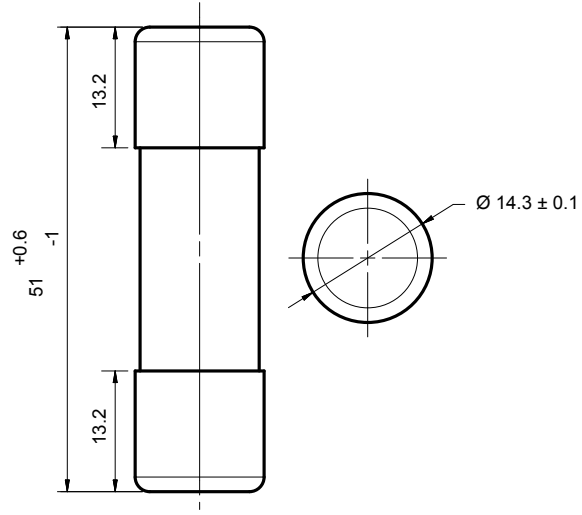
## DIMENSIONS

**CP 14x51 gR with striker** (100211)



Dimensions in mm

**CP 14x51 gR without striker** (100212)



Dimensions in mm