

# Datasheet

## Multi-Tapped Chassis Frame Mount Transformers

# RS Pro

The Multi tapped Frame Mount Transformers 100VA to 240VA are high quality isolating transformers designed for use in general applications. The secondary winding gives a wide range of output voltage options. Designed according to the following specifications.

- Low noise laminations
- Full varnish impregnation
- Fully shrouded bobbins
- Multi-hole frame fixing
- Solder tag terminations
- Optional terminal shrouds
- Detailed product specification on permanent label
- High efficiency, low regulation design
- 100% electrical and flash tested

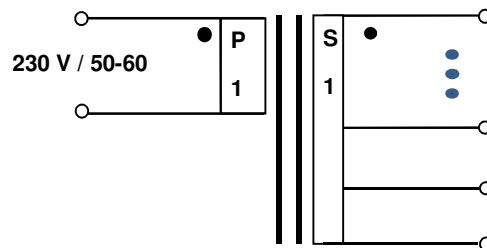


### Specifications

Power: 100- 240 VA  
 Frequency: 50 / 60 Hz  
 Primary: 230 VAC  
 Secondary: Se table  
 Isolation: 4 kV RMS  
 Temp class: Ta (70°) / B  
 According to: EN61558-1 and EN61558-2-6



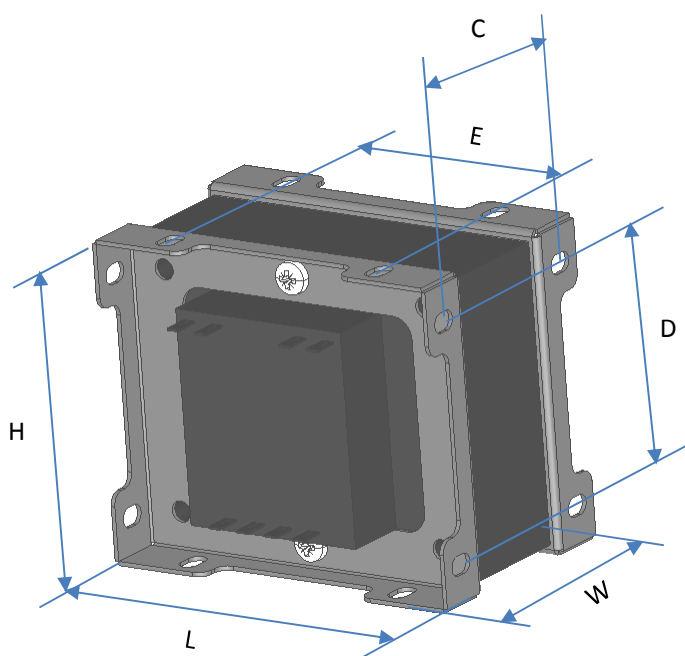
### Schematic/connections



**Ordering details:**

RS Stock number	Power VA	Specification	No-load voltages
503922	102	Chassis mounting Transformer, 0-13.4-19.2-26-31.9V	15-20.5-27.5-34.5V
504000	100	Chassis mounting Transformer, 0-6-9-12-18-24V	6.7-10-13.3-20.1-26.8V
504010	240	Chassis mounting Transformer, 0-4.5-6-9-12-15-18-20-24V	4.7-6.2-9.5-12.4-15.5-19-21-25V

**Dimensions and fittings:**



RS Stock number	Overall Size L x W x H [mm]	Fixing			Weight [kg]	Efficiency %
		Vertical C x D [mm]	Horizontal C X E (mm)	Slot size		
503922	99 x 76 x 83	54 x 54	54 x 63	4.7 x 7.9	1.98	10
504000	89 x 68 x 75	43.5 x 57	43.5 x 57	4.7 x 7.9	1.6	10
504010	100 x 92 x 82	60 x 56	60 x 72	5.5 x 8.5	2.8	6.5