

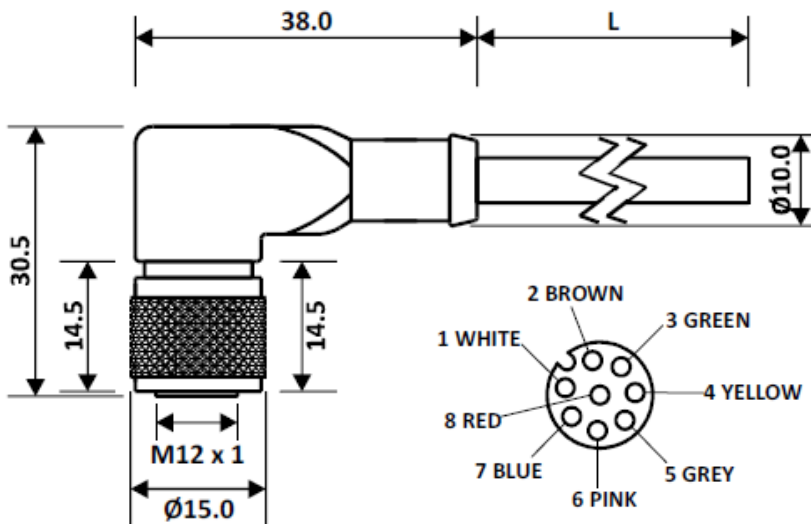
# Datasheet

## Connector Assembly

RS Stock 877-1053



### Dimensions: (mm)



## Specifications

### General Specification

|                           |                            |
|---------------------------|----------------------------|
| Rated Operational Voltage | 30 V                       |
| Current Rating            | 2A                         |
| Insulation Resistance     | $\geq 100 \text{ M}\Omega$ |
| Temperature Range         | -25°C ... +75°C            |
| Degree of Protection      | IP67                       |

### Material Specification

|                 |                     |
|-----------------|---------------------|
| Grip Material   | PU                  |
| Contact         | Cu-Zn               |
| Contact Plating | Gold Plated         |
| Contact Carrier | Nylon 66            |
| O-Ring          | Neoprene            |
| Grip Colour     | Black               |
| Coupling Nut    | Brass Nickel-Plated |

### Cable Specification

|                       |                          |
|-----------------------|--------------------------|
| Cable Length-L        | 5 m                      |
| Cable Type            | 8 Core PVC Multi Strand  |
| Sheath Colour         | Black                    |
| Cross Section of Wire | 0.25 sq. mm              |
| Core Dia              | 1.25 mm                  |
| Cable Dia             | $6.4 \pm 0.1 \text{ mm}$ |
| Termination           | Partially Stripped       |