



The mild steel terminal box range, STB, with a IP 66 protection degree, is available off the shelf in many different sizes. The STB range is well suited for demanding indoor environments. Water and dust are prevented from entering the terminal box, thus eliminating the risk for component failure, and with that, unnecessary downtime.

Material: 1.2 mm mild steel.

Body: Folded and seam welded. Four 8.5 mm diameter holes for wall fixing. Four M6 x 13 studs for bottom profiles / mounting plate fixation.

Gasket: Sealing is ensured by an injected one piece polyurethane gasket.

Earthing: M8x18 mm earthing studs in body and cover, M8 nuts, earthing washers and earthing labels.

Protection: IP 66 | TYPE 4, 12, 13 | IK 08.

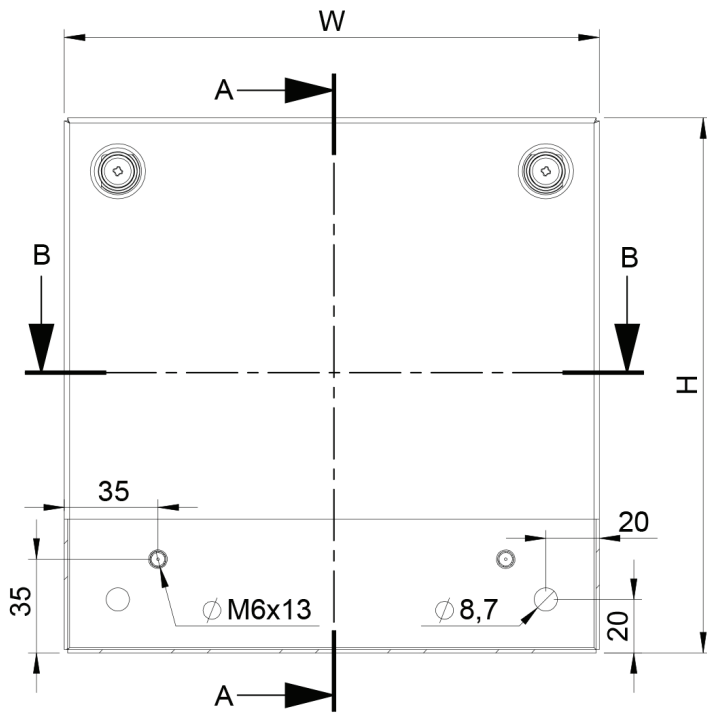
Finish: RAL 7035, structured powder coating.

Delivery: Body, cover, cover screws, fixing screws, cover plugs, and earthing facilities.

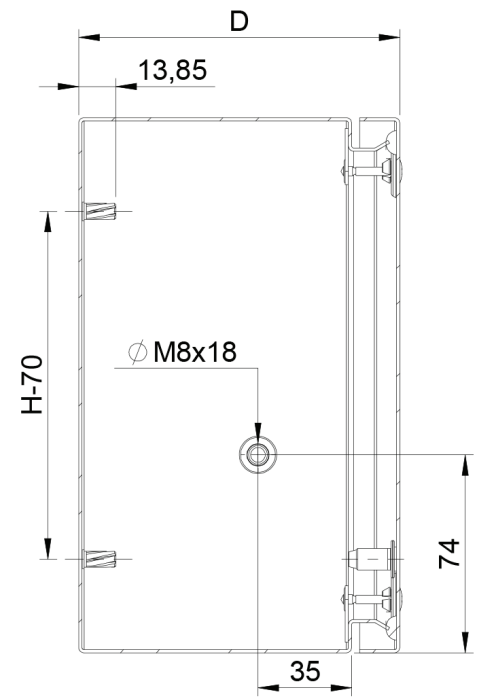
IP 66 | TYPE 4, 12, 13 | IK 08



Front view

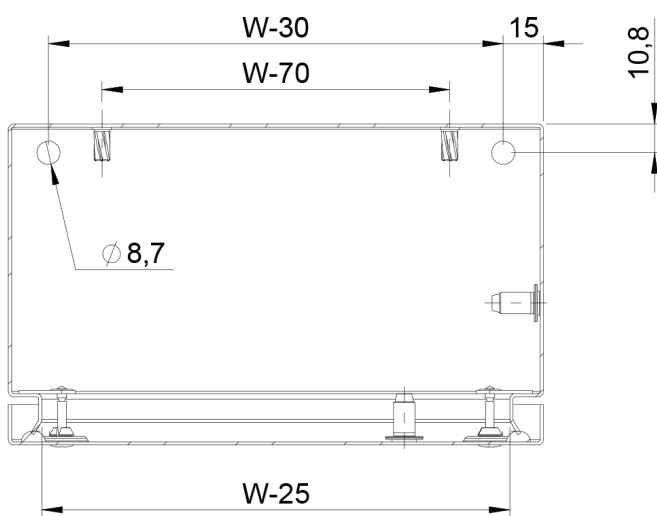


Sectional side view



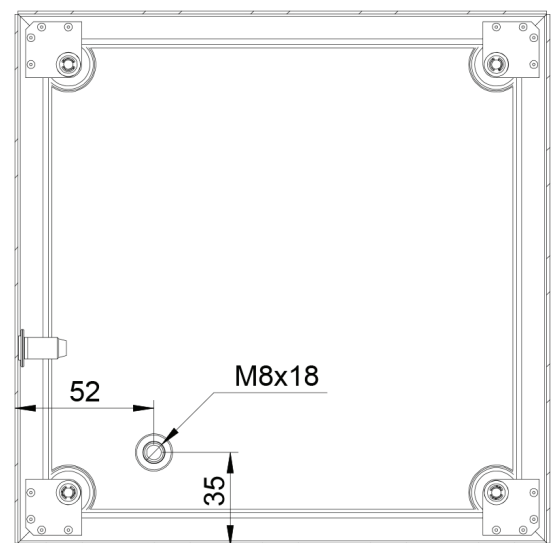
SECTION A-A

Sectional top view



SECTION B-B

Inside cover view



Box dimension				
H	W	D	Weight (kg)	Item no.
150	150	80	1.15	STB151508
150	150	120	1.35	STB151512
150	300	80	1.90	STB153008
150	300	120	2.25	STB153012
200	200	80	1.70	STB202008
200	200	120	2.00	STB202012
200	300	80	2.35	STB203008
200	300	120	2.75	STB203012
200	400	80	2.90	STB204008
200	400	120	3.35	STB204012
200	500	120	4.10	STB205012
200	600	120	4.75	STB206012
200	800	120	6.30	STB208012
300	300	80	3.15	STB303008
300	300	120	3.55	STB303012
300	400	120	4.50	STB304012
300	500	120	5.40	STB305012
300	600	120	6.40	STB306012
400	400	120	5.85	STB404012
400	600	120	7.80	STB406012
400	800	120	9.90	STB408012

STB

Mild steel terminal box