

RELAY

SKU:U023



Description

RELAY as it says is an M5Unit that implement a Relay functions. Relay can be used as an electrically operated switch, uses an electromagnet to mechanically operate a switch, where it is necessary to control a large power load circuit by a separate low-power signal such as digital signal output from a microprocessor.

The Relay support input voltage of up to 30V DC and 220V AC.

There are 3 pins named: ON, OFF, COM. You can program to make COM connect to ON or OFF, just by high and low out put of a digital GPIO.

Product Features

- Single-BUS control
- Up to 3A @ 30 V DC or 220 V AC
- Software Development Platform: Arduino, UIFlow (Blockly, Python)
- Two Lego-compatible holes

Include

- 1x RELAY Unit
- 1x Grove Cable
- 1x 3.96 socket

Applications

- Remote control of high-power appliances, such as refrigerators, air conditioners, TVs, etc.

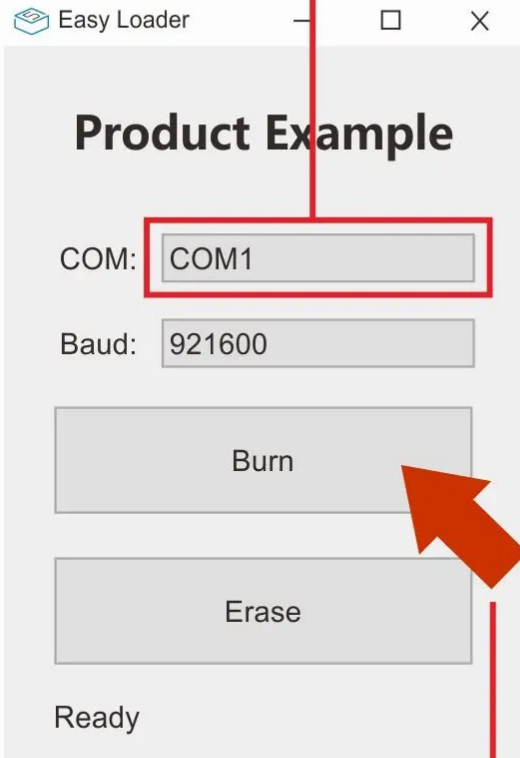
Specification

Resources	Parameter
Net weight	12g
Gross weight	26g
Product Size	48*24*21mm
Package Size	60*57*17mm

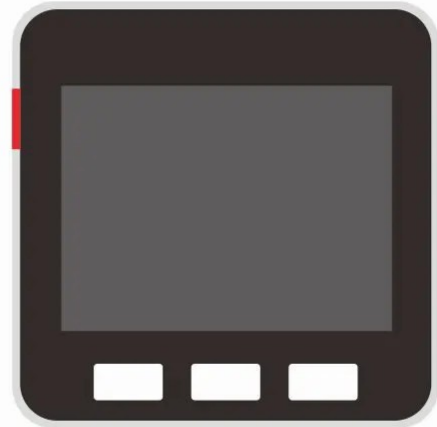
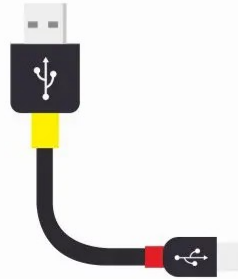
EasyLoader

EasyLoader is a concise and fast program writer, which has a built-in case program related to the product. It can be burned to the main control by simple steps to perform a series of function verification. Please install the corresponding driver according to the device type. M5Core host [Please click here to view the CP210X driver installation tutorial](#), M5StickC/V/T/ATOM series can be used without driver)

2, Select COM



1, Downloads

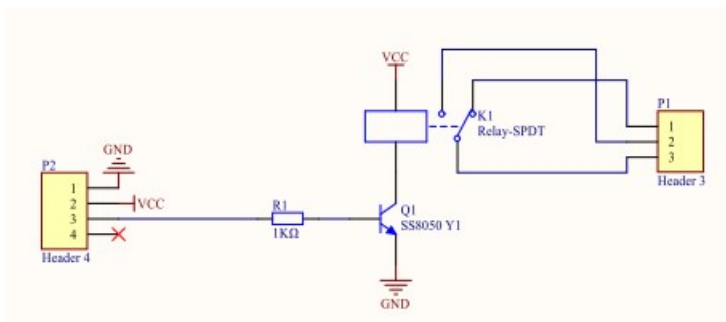


Core \ M5StickC \ M5StickV...

3, Burn Firmware

Windows MacOS

| Schematic



PinMap

M5Core(GROVE B)	GPIO36	GPIO26	5V	GND
RELAY Unit		RELAY Controlling Pin	5V	GND

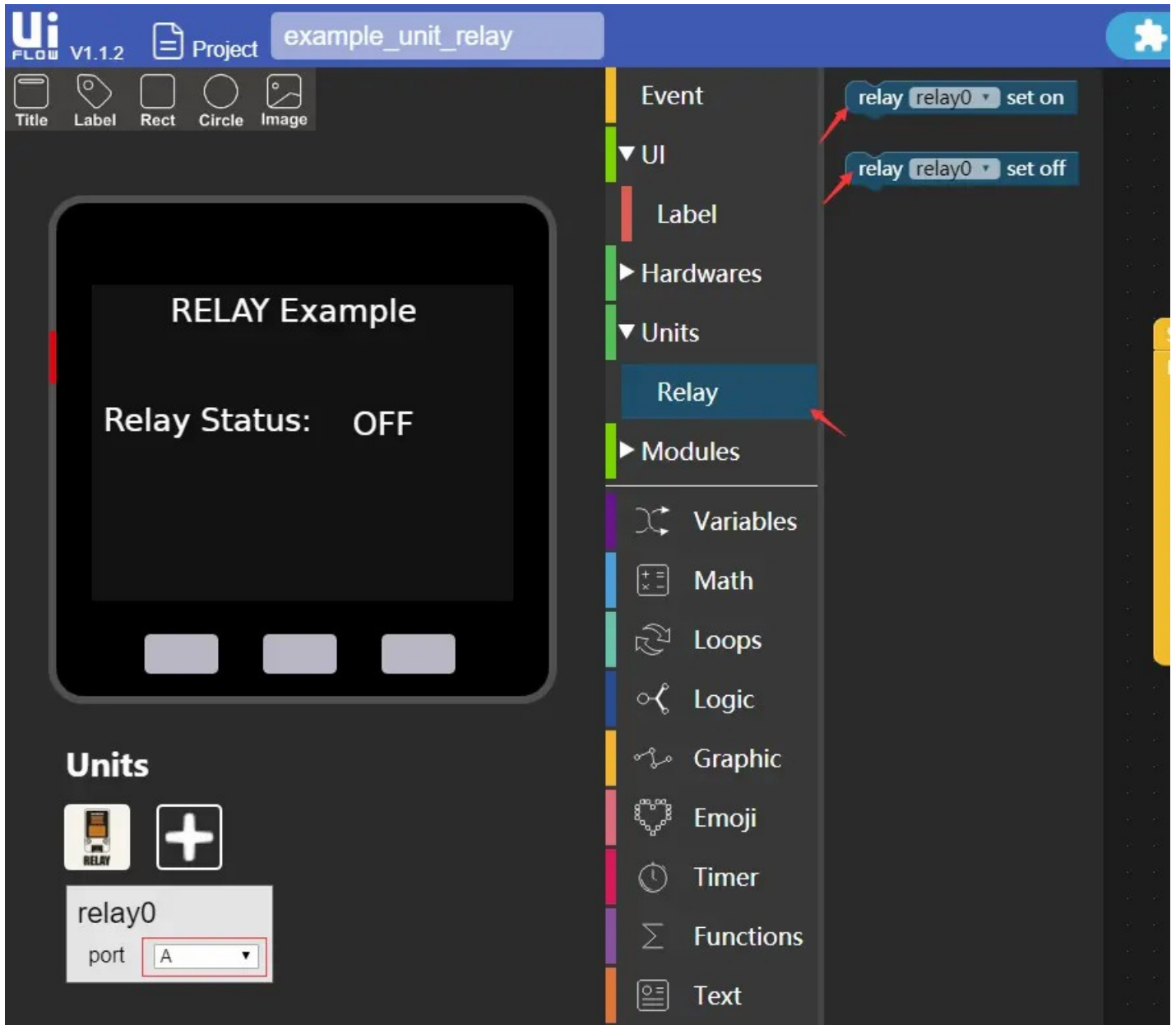
| Example

1. Arduino

- [Click here to download the Arduino example](#)

2. UIFlow

- [Click here to download the UIFlow example](#)



| Video

Program with UIFlow

Last updated: 2020-12-14