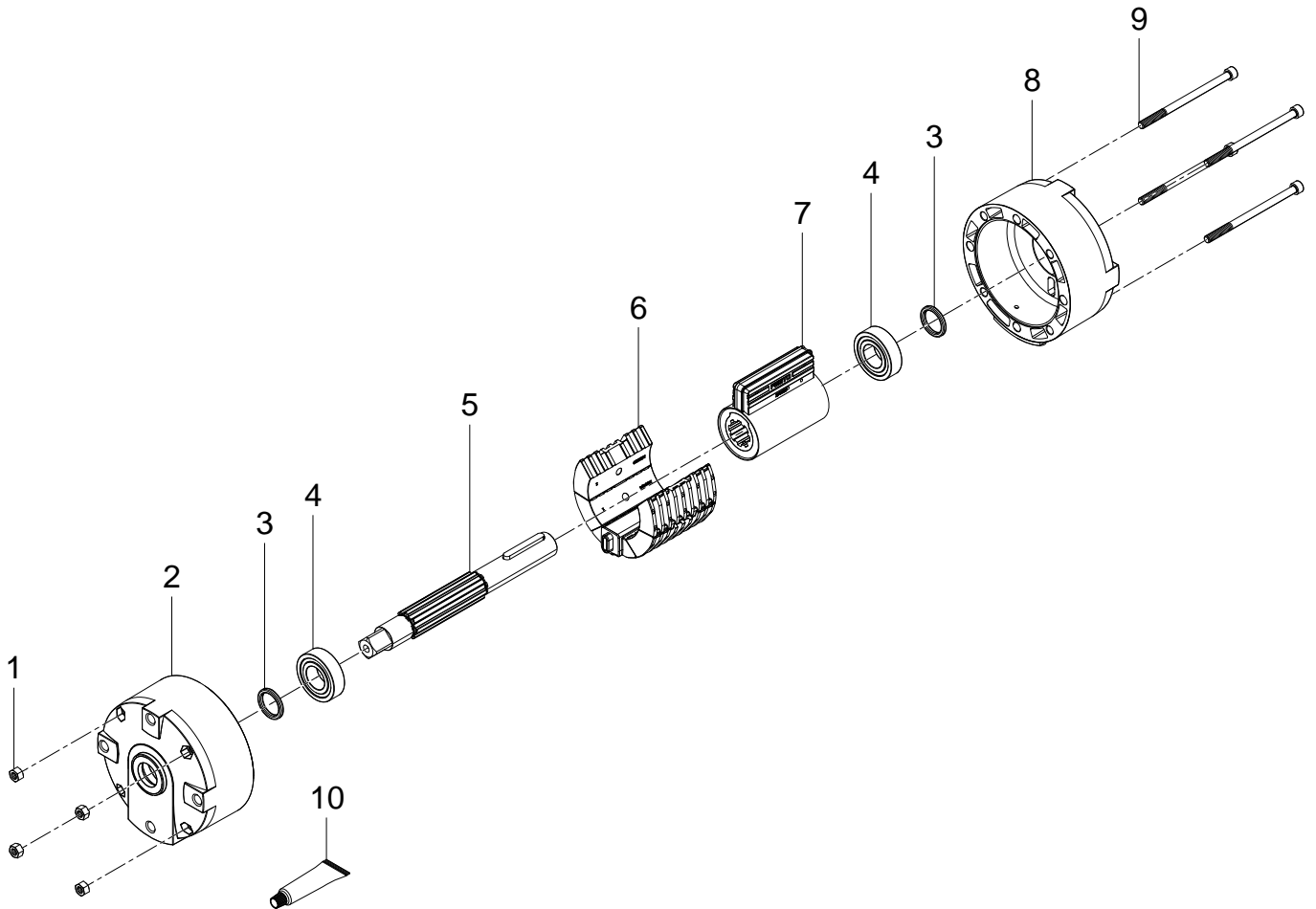


1845722 DRVS-40-90-P Semi-rotary drive - Series: All



1845722 DRVS-40-90-P Semi-rotary drive - Series: All

Pos.	Part no.	Type	Note	Qty.	Unit
A	8173159	DRVS-40 Set of wearing parts	Spare parts: 6, 7, 10 ▶ Replacing the wearing parts	1	PC
1		ISO 4032-M5-8 Hex nut	Not available	4	PC
2		DRVS-40:1 Housing	Not available Grease using during assembly. See position 10	1	PC
3		QRAR04115-N7004 Quad ring	Not available Grease using during assembly. See position 10	2	PC
4	8038220	XF+D625-6003-2Z Deep groove ball bearing		2	PC
5		DRVS-40 Shaft	Not available Grease using during assembly. See position 10	1	PC
6		DRVS-40-90 Stop module	Not available separately, see position A	1	PC
7		DRVS-40 Vane module	Not available separately, see position A	1	PC
8		DRVS-40:2 Housing	Not available Grease using during assembly. See position 10	1	PC
9		M5X82-10.9 Socket head screw	Not available	4	PC
10	684474	LUB-KC1 SILIKONFREI 20ML Lubricating grease		1	PC