

Digilent Pmod™ Interface Specification 1.2.0

Revised October 5, 2017

1 Introduction

The Digilent Pmod interface is used to connect low frequency, low I/O pin count peripheral modules to host controller boards. There are six-pin and twelve-pin versions of the interface defined, encompassing SPI, I²C, UART, I²S, H-bridge and GPIO protocols. The six-pin version provides four digital I/O signal pins, one power pin and one ground pin. The twelve-pin version provides eight I/O signal pins, two power pins and two ground pins. The signals of the twelve-pin version are arranged so that it provides two of the six-pin interfaces stacked.

In general, Pmod modules can plug directly into connectors on the host controller board, called host ports, or be connected to the controller board via six-pin or twelve-pin cables. Two six-pin peripheral modules can be connected to a single twelve-pin host port via a twelve-pin to dual six-pin splitter cable. Similarly, a single twelve-pin peripheral module can be connected to two six-pin host ports via the same twelve-pin to dual six-pin splitter cable.

Pmod modules are powered by the host via the interface's power and ground pins.

The Pmod interface is not intended for high frequency operation, however, using RJ45 connectors and twisted pair Ethernet cable, signals have been sent reliably at 24 MHz and distances of up to 4 meters. Theoretically, signal speeds greater than 100 MHz should be achievable using high-speed ports with direct connection of Pmod modules (without the use of cables).

2 Electrical Specifications

The digital signal characteristics are not specified. However, the general expectation is that a 3.3 V logic power supply will be used and the signals will conform to LVCMOS 3.3 V or LVTTTL 3.3 V logic conventions.

The driver current source/sink capability isn't specified and depends on the capabilities of the specific system board or module. The I/O pins on the system board are generally directly driven by the FPGA or microcontroller. The drive strength for FPGA pins is generally in the range +/-16 mA to +/-24 mA. The drive capability of microcontrollers is generally less and some of them are not symmetrical. The drive strength for microcontroller pins is generally in the range +/-5 mA to +/-10 mA.

The I/O pins on standard system board Pmod ports generally have ESD protection diodes and 200-ohm series resistors. The resistors are to limit short circuit currents if pins are inadvertently shorted, or to protect against driver conflicts if outputs are inadvertently connected together. High-speed Pmod ports are present on some Digilent system boards and do not have ESD protection diodes or series resistors.

Peripheral modules may be connected to the host via cables of up to 18" in length. The drivers on the host or peripheral module should have sufficient drive strength to drive this length of cable at whatever the operating speed of the interface on the Pmod is expected to be. In general, this means that the driver should be able to source or sink at least 5 mA of current.

With the exception of I²C connected modules, peripheral modules may not assume that pull-up or pull-down resistors are present on the host and must provide for proper termination of inputs, if necessary, and may not use open drain or open collector outputs, unless the pull-up is provided on the peripheral module itself.

For all I²C connected modules, the digital signal characteristics conform to the I²C specification. Either 5 V or 3.3 V levels can be used on most modules, but Digilent system boards operate at 3.3 V, and the modules are primarily intended for operation at 3.3 V.

Prior to the Digilent Pmod Interface Specification 1.1.0, I2C modules were not required to have onboard pull-ups. Therefore, it is suggested to include jumpered pull-ups on system boards to be backward compatible with old I2C Pmods. However, all Pmods designed to conform to specification version 1.1.0 and higher will include onboard pull-ups that can be jumpered in and out.

3 Power Supply

The power pins of the interface provide power from the host to the peripheral. The interface requires that the host provide 3.3 V at the power supply pins. Digilent system boards use exclusively 3.3 V at the power supply pins; however, the host is allowed to provide the ability to switch the voltage on the power pins between 5.0 V and 3.3 V. On the twelve-pin version of the interface, both power supply pins switch together and always supply the same voltage, if switching is provided as an option. These pins may be shorted together at either the host end or the peripheral end.

On I2C connected modules, the power pin of the interface provides power from the system board to the peripheral module. The supplied voltage will generally be 3.3 V, but operation at 5 V is supported by some modules. Care should be taken to ensure 5 V will not damage the host's input pins. Daisy chaining six-pin I2C connected modules is possible via the female connector on the board edge opposite the male connector.

The amount of power a peripheral module is allowed to draw from the host is not specified, but should not be assumed to be more than approximately 100 mA."

4 Physical Connection Standard

Pmod connections are made using standard 100 mil spaced, 25 mil square, pin-header style connectors.

The peripheral module board will have a male connector. This will typically be a right-angle connector, at the board edge, for direct connection to a host board. Some older I²C modules have a straight male connector inboard from the board edge as only cable connections were intended to be used. Beginning with Pmod Specification 1.1.0, all connectors intended for primary connection to a host board should be right angle male connectors.

Six-pin I²C modules will have a six-pin female connector, centered on the board edge opposite the male connector. This will typically be a right-angle connector at the board edge and is intended to be used in daisy chaining.

The host board will typically have a 12-pin right angle female connector at the board edge for direct connection of peripheral module boards, however a straight female connector inboard from the board edge is also allowed.

When multiple Pmod host ports are placed side-by-side along a host board edge, they are spaced 0.9" center-to-center. This allows for 0.8" wide modules to be plugged side-by-side into a host without mechanical interference. Peripheral modules with multiple male connectors must also have them spaced on 0.9" centers for direct connection to a host.

Peripheral modules with a single connector that are intended for direct connection to a host, or that are intended to fit into the Pmod mounting clip, should be 0.8" wide. There should also be >25 mil of clearance from the board edge to any components to allow clearance for the Pmod clip to latch the board edge. The connector should be centered along the 0.8" side of the module.

Peripheral modules that are more than 0.8" wide can be directly connected to a host in most cases but may interfere with adjacent host ports.

The following diagrams show physical connector placement and pin numbering conventions for the host (system board) and peripheral module sides of the connection. Note that the pin numbering conventions for the 2x6 connectors are non-standard and are mirrored between the host connector and the peripheral board connector.

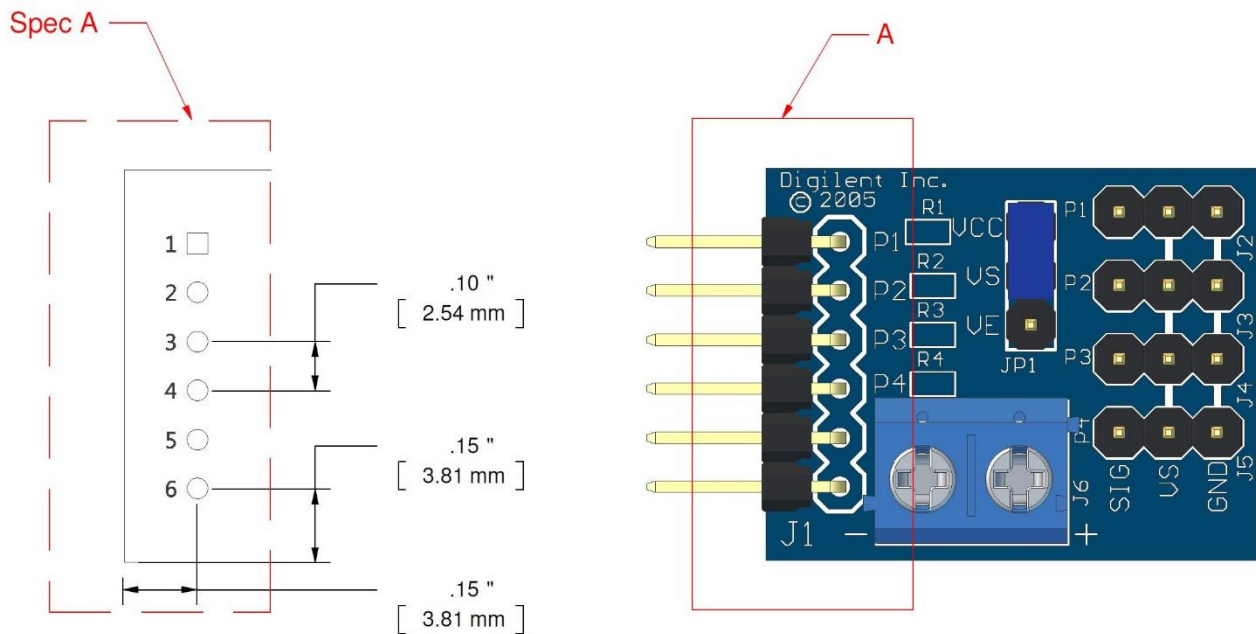


Figure 1. Standard 6-pin male connector placement on Pmod boards.

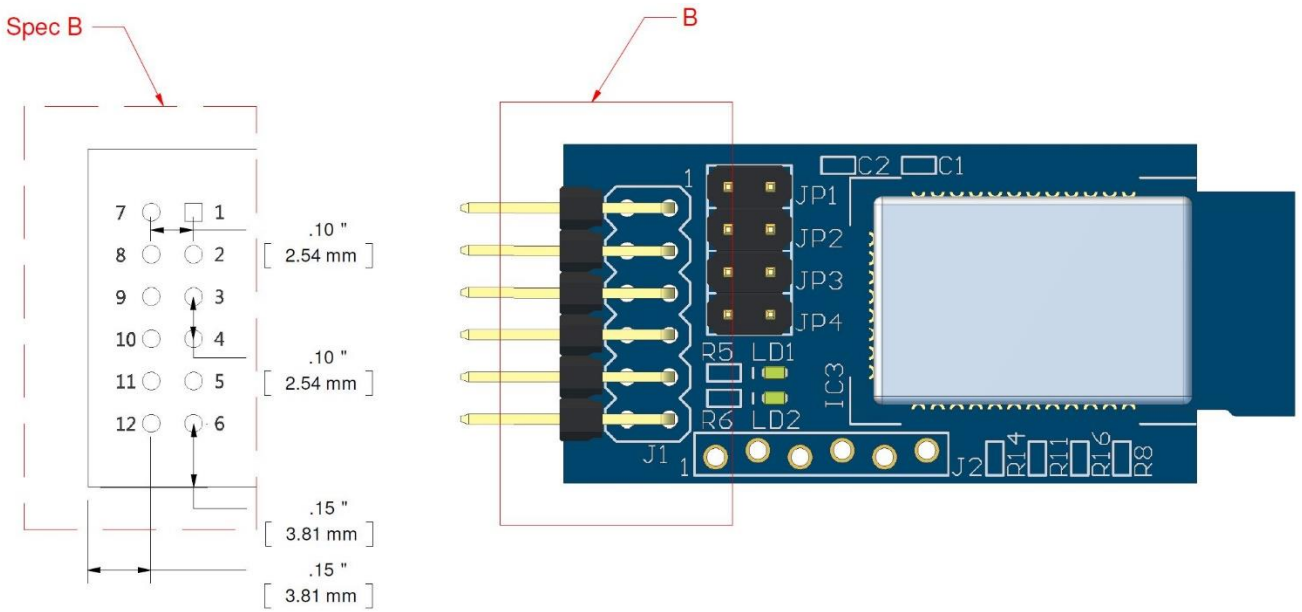


Figure 2. Standard 12-pin male connector placement on Pmod boards.

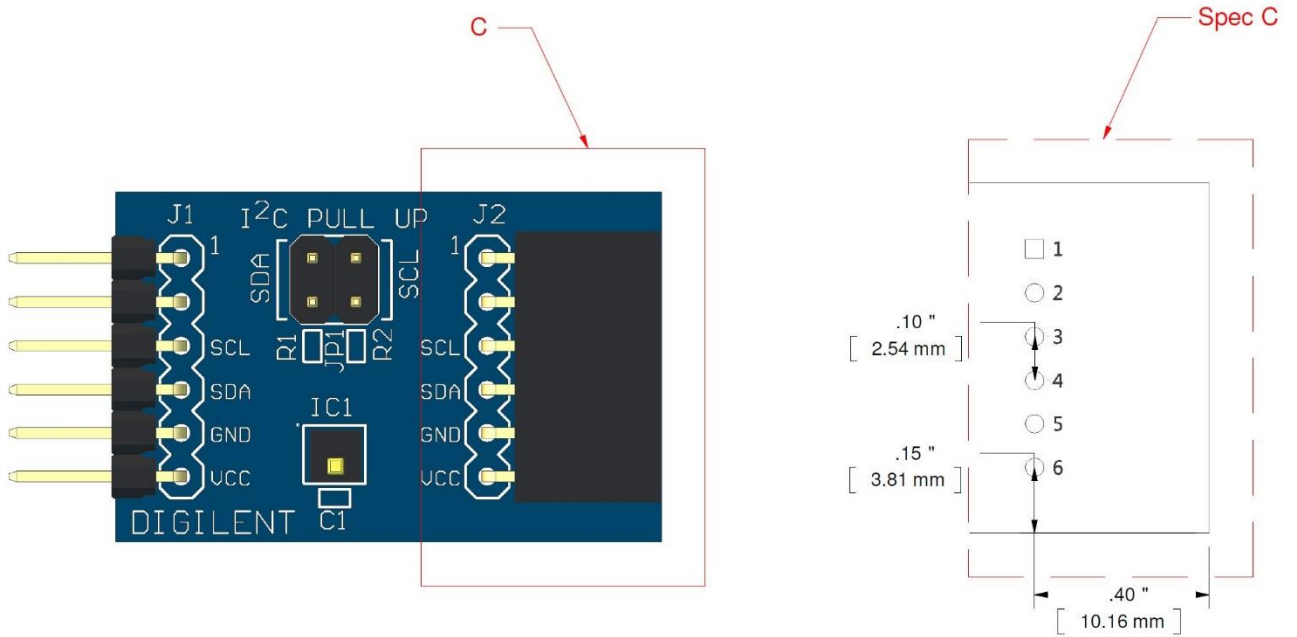


Figure 3. Standard 6-pin female connector placement on Pmod boards.

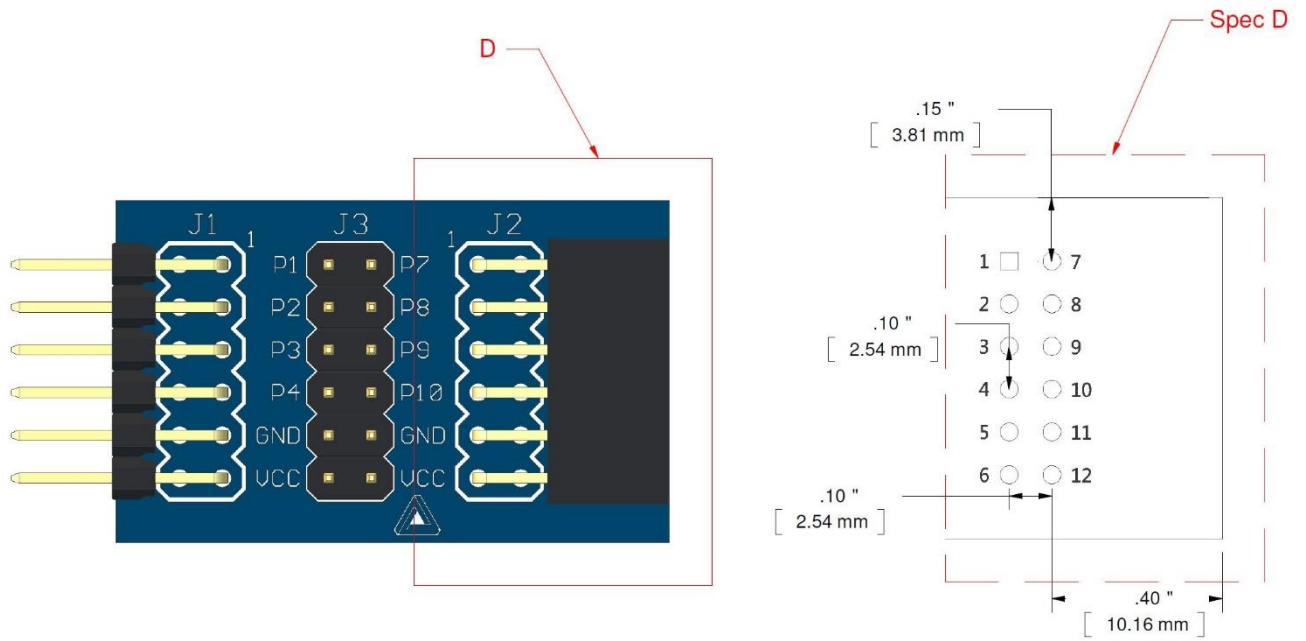


Figure 4. Standard 12-pin female connector placement on Pmod boards.

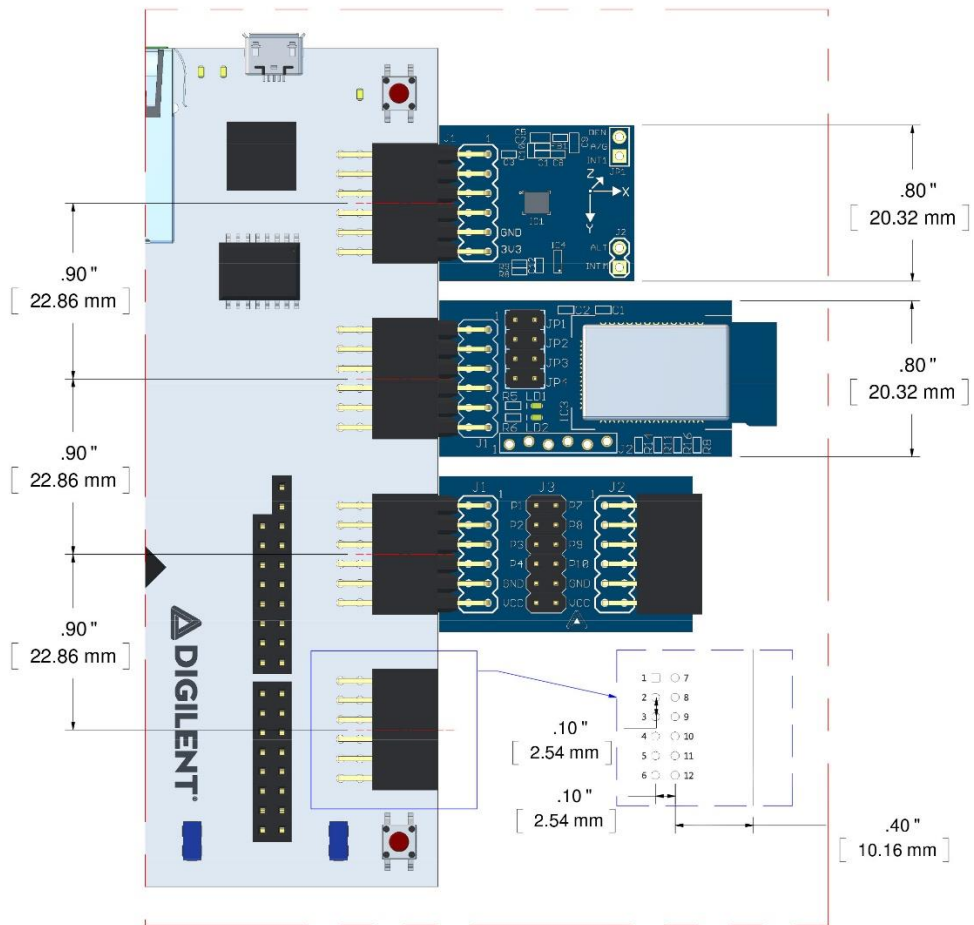


Figure 5. Standard 12-pin female host port placement on host boards.

The connection standard for system boards that provide I²C connectors is to use the standard 12-pin right angle female connector at the board edge for direct connection of peripheral module boards. The connector provides two sets of the I²C signals, power and ground, so that the I²C bus can be formed by daisy chaining system boards or Pmods. The system board can either be the root of one or two daisy chains, or in the middle of a daisy chain.

5 I/O Signal Assignment Conventions

The following define signal assignments to the I/O pins on the connector for certain standard interfaces. In the following, the direction is defined from the perspective of the host: i.e., ‘Out’ means from the host to the peripheral; ‘In’ means from the peripheral to the host. Generally, the host is a Digilent system board. The peripheral will generally be a Digilent Pmod board.

5.1 GPIO

Pmod Interface Type 1 (GPIO)

This interface is used for general purpose logic. The host must provide the ability for all signals to be bi-directional logic signals. The peripheral may use any of the pins as inputs, outputs, or bi-directional. Should a PWM signal be used, it should be on pin 2.

Pin #	Signal	Direction	Alternate Signal	Direction
1	IO1	In/Out	-	-
2	IO2	In/Out	PWM	Out
3	IO3	In/Out	-	-
4	IO4	In/Out	-	-
5	GND			
6	VCC			

Pmod Interface Type 1A (Expanded GPIO)

This interface is used for general purpose logic. The host must provide the ability for all signals to be bi-directional logic signals. The peripheral may use any of the pins as inputs, outputs, or bi-directional. Should PWM signals be used, they should be on pins 2 and 8.

Pin	Signal	Direction	Alternate Signal	Direction
1	IO1	In/Out	-	-
2	IO2	In/Out	PWM	Out
3	IO3	In/Out	-	-
4	IO4	In/Out	-	-
5	GND			
6	VCC			
7	IO5	In/Out	-	-
8	IO6	In/Out	PWM	Out
9	IO7	In/Out	-	-
10	IO8	In/Out	-	-
11	GND			
12	VCC			

5.2 SPI

Pmod Interface Type 2 (SPI)

This provides a Serial Peripheral Interface (SPI) port. The host generally acts as an SPI master device and the peripheral module generally acts as an SPI slave device. When this interface is placed on a 12-pin connector on a host, it should use pins 1-6 (i.e. the upper row of pins). Pins 1-6 will adhere to the signals listed in the table, with the exception of one or more pins potentially being unconnected.

Pin	Signal	Direction
1	CS	Out
2	MOSI	Out
3	MISO	In
4	SCK	Out
5	GND	
6	VCC	

- CS - Chip Select. Active low to enable slave device
- MOSI - Master Out Slave In. Data from master to slave
- MISO - Master In Slave Out. Data from slave to master
- SCK - Serial clock. Data clock from master to slave

Pmod Interface Type 2A (expanded SPI)

This provides an SPI interface plus additional control signals. Many SPI devices provide additional control or status signals that can provide additional functions between the master and slave devices. The host generally acts as an SPI master device and the peripheral module generally acts as an SPI slave device. Pins 1-6 will not change with the exception of one or more pins potentially being unconnected. Pins 7-10 can be any signal but if one or more interrupts are needed they will be on pin 7 and if a reset is needed it will be on pin 8. If additional Chip Select signals are needed they will be on pins 9 and 10.

Pin #	Signal	Direction	Alternate Signal	Direction
1	CS	Out	-	-
2	MOSI	Out	-	-
3	MISO	In	-	-
4	SCK	Out	-	-
5	GND			
6	VCC			
7	GPIO	In/Out	INT	In
8	GPIO	In/Out	RESET	Out
9	GPIO	In/Out	CS2	Out
10	GPIO	In/Out	CS3	Out
11	GND			
12	VCC			

- CS - Chip Select. Active low to enable slave device
- MOSI - Master Out Slave In. Data from master to slave
- MISO - Master In Slave Out. Data from slave to master
- SCK - Serial clock. Master provides the clock to shift the data
- INT - Interrupt signal from slave to master

- RESET - Reset signal for master to reset slave
- CS2 - Chip Select 2. Active low to enable second slave device
- CS3 - Chip Select 3. Active low to enable third slave device

5.3 UART

Pmod Interface Type 3 (UART)

This provides a UART interface with optional hardware flow control. When this interface is placed on a twelve-pin connector on a host, pins 1-6 should be used (i.e. the upper row of pins). The hardware flow control signals are optional, and some Pmods do not use them. In this case pins 1 & 4 are either not used or are GPIO.

The hardware flow control signal names are defined from the system board perspective. The RTS signal is an output indicating that the device (host or peripheral) is ready to receive data. The device asserts this signal low when it is ready to receive data. The CTS signal is an input to the device (host or peripheral). The device will only transmit data when the CTS input is asserted low. A peripheral module that uses hardware flow control will connect the host's RTS signal to its internal CTS input and the host's CTS signal to its internal RTS output.

Pin	Signal	Direction	Alternate Signal	Direction
1	CTS	In	GPIO	In/Out
2	TXD	Out	-	-
3	RXD	In	-	-
4	RTS	Out	GPIO	In/Out
5	GND		GND	
6	VCC		VCC	

- CTS - Host is clear to send (will only transmit when this signal is asserted)
- RTS - Host request to send
- RXD - Data from peripheral to host
- TXD - Data from host to peripheral

Pmod Interface Type 3A (expanded UART)

This provides a UART interface with optional hardware flow control plus additional control signals. The hardware flow control signals are optional, and some Pmods do not use them. In this case pins 1 & 4 are not used or are GPIO. Pins 7-10 can be any signal, but if one or more interrupts are needed they will be on pin 7 and if a reset is needed it will be on pin 8.

The hardware flow control signal names are defined from the system board perspective. The RTS signal is an output indicating that the device (host or peripheral) is ready to receive data. The device asserts this signal low when it is ready to receive data. The CTS signal is an input to the device (host or peripheral). The device will only transmit data when the CTS input is asserted low. A peripheral module that uses hardware flow control will connect the host's RTS signal to its internal CTS input and the host's CTS signal to its internal RTS output.

Pin #	Signal	Direction	Alternate Signal	Direction
1	CTS	In	GPIO	In/Out
2	TXD	Out	-	-
3	RXD	In	-	-
4	RTS	Out	GPIO	In
5	GND			
6	VCC			
7	GPIO	In/Out	INT	In
8	GPIO	In/Out	RESET	Out
9	GPIO	In/Out	-	-
10	GPIO	In/Out	-	-
11	GND			
12	VCC			

- CTS - Device will only transmit when this signal is asserted
- RTS - Device is ready to receive data
- RXD - Data from peripheral to host
- TXD - Data from host to peripheral
- INT - Interrupt signal from peripheral to host
- RESET - Reset signal for host to reset peripheral

5.4 H-Bridge

Pmod Interface Type 4 (H-Bridge)

This interface provides for controlling a single H-Bridge with motor speed sensing feedback. The DIR pin sets the rotational direction of the motor. The EN signal is pulse width modulated to control the effective voltage applied to the motor. EN is an active high signal, i.e. a high logic level enables current flow through the bridge. The SA and SB signals are quadrature encoder feedback signals used to sense the motor speed. These are square wave signals, whose frequency is proportional to motor rotational speed and that are in quadrature. (i.e. 90° out of phase). Note pins 3 and 4 can be left unconnected if feedback is not required.

Pin #	Signal	Direction
1	DIR	Out
2	EN	Out
3	SA	In
4	SB	In
5	GND	
6	VCC	

- DIR - Motor direction
- EN - Motor enable, active high
- SA - feedback sense A
- SB - feedback sense B

Pmod Interface Type 5 (Dual H-Bridge)

This interface provides for controlling two independent H-Bridges. This can be used to control two brushed DC motors, or the two phases of a bi-polar stepper motor. The EN signal is pulse width modulated to control the effective voltage applied to the motor. EN is an active high signal, i.e. a high logic level enables current flow through the bridge.

Pin #	Signal	Direction
1	DIR1	Out
2	EN1	Out
3	DIR2	Out
4	EN2	Out
5	GND	
6	VCC	

- DIR1 - Motor/Phase 1 direction
- EN1 - Motor/Phase 1 enable, active high
- DIR2 - Motor/Phase 2 direction
- EN2 - Motor/Phase 2 enable, active high

Pmod Interface Type 5A (Expanded Dual H-Bridge)

This interface provides for controlling two independent H-Bridges with motor speed sensing feedback. The DIR pin sets the rotational direction of the motor. The EN signal is pulse width modulated to control the effective voltage applied to the motor. EN is an active high signal, i.e. a high logic level enables current flow through the bridge. The SA and SB signals are quadrature encoder feedback signals used to sense the motor speed. These are square wave signals, whose frequency is proportional to motor rotational speed and that are in quadrature. (i.e. 90° out of phase).

Pin #	Signal	Direction
1	DIR1	Out
2	EN1	Out
3	S1A	In
4	S1B	In
5	GND	
6	VCC	
7	DIR2	Out
8	EN2	Out
9	S2A	In
10	S2B	In
11	GND	
12	VCC	

- DIR1 - Motor 1 direction
- EN1 - Motor 1 enable, active high
- SA1 - Motor 1 feedback sense A
- SB1 - Motor 1 feedback sense B
- DIR2 - Motor 2 direction
- EN2 - Motor 2 enable, active high
- SA2 - Motor 2 feedback sense A
- SB2 - Motor 2 feedback sense B

5.5 I²C

Pmod Interface Type 6 (I²C)

This interface conforms to the I²C specification, plus an optional interrupt and reset pin. If these optional pins are not used, they will be no connects. The pull-up resistors used to provide the logic high level for SCL and SDA are provided on the modules and can be attached to or detached from the bus via onboard jumpers. Pull-ups on INT and RESET, if used, are also provided on the module and can be attached or detached from the bus via onboard jumpers to enable daisy chaining.

Pin #	Signal	Direction	Alternate Signal
1	NC		INT
2	NC		RESET
3	SCL	In/Out	-
4	SDA	In/Out	-
5	GND		
6	VCC		

SCL – Serial Clock

SDA – Serial Data

NC – Not Connected

INT – Open drain, active low, interrupt signal from slave to master.

RESET – active low reset signal from master to slave. The system board is the master.

5.6 I²S

Pmod Interface Type 7 (I²S CODEC)

This provides the standard connections for an I²S codec interface, plus an optional clock signal used by some I²S devices.

Pin #	Signal	Direction	Alternate Signal	Direction
1	LRCLK	Out	-	-
2	DAC Data	Out	-	-
3	ADC Data	In	-	-
4	BCLK	Out	-	-
5	GND			
6	VCC			
7	GPIO	-		
8	GPIO	-		
9	GPIO	-	MCLK	Out
10	GPIO	-		
11	GND			
12	VCC			

LRCLK – Left channel/Right channel select

DAC Data - Output data to DAC

ADC Data - Input Data from ADC

BCLK – Serial bit clock.

MCLK – Optional master clock used by some I2S devices