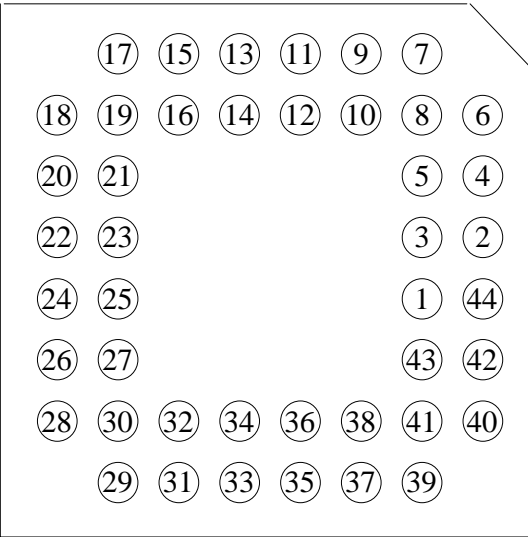
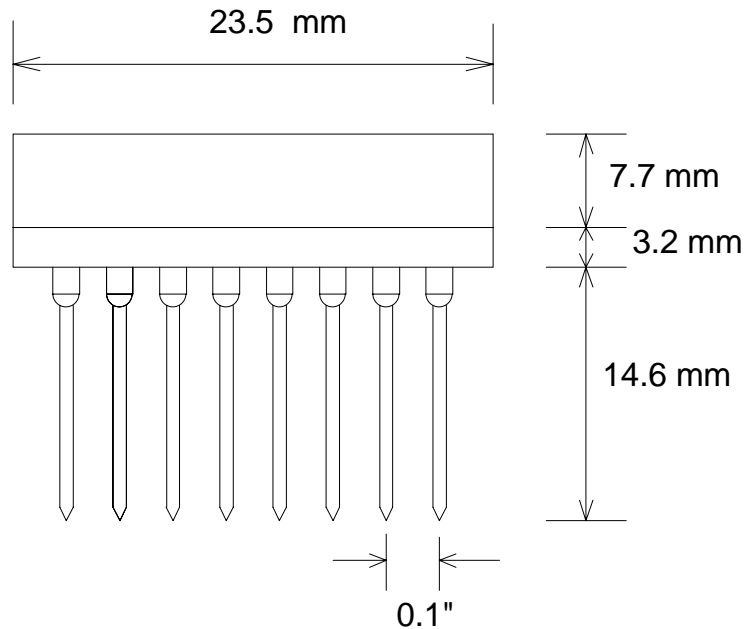


TITLE : PLCC SOCKET WITH WIRE WRAP - WPLCC 044-T3 RS 244 6818

DIM.
AS SHOWN



TOL.
0 +/- 1
0.0 +/- 0.1
0.00 +/- 0.01
0.000 +/- 0.001

DWN. OHT

DATE 22/7/97

SCALE.
NTS

ISSUE.
01

MODIFICATIONS.

NONE

Voltage rating	100 vrms/ 150v .dc
Current rating	1A.
Contact Resistance	30 m ohm max
Insulation Resistance	1000 Mega ohm max
Operating temperature	-55 c to 125 c
Durability	100 cycles

WINSLOW INTERNATIONAL Ltd.

ADAPTICS HOUSE, BRECON ENTERPRISE PARK.
BRECON. POWYS. LD3 8EF.

Tel : 0044 (0)1874 625555 Fax : 0044 (0)1874 625500

Email : SALES @ winslow.co.uk Web : <http://www.winslow.co.uk>

DEVICES. Generic

for further details please contact factory.