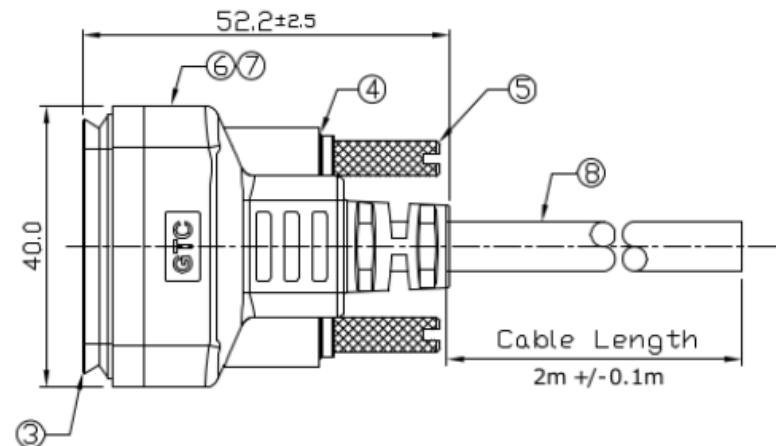
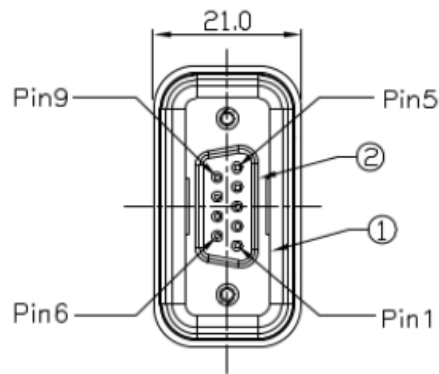




Notes: (Unless Otherwise Specified)
 1. Waterproof Rating IP67.
 2. RoHS Compliant

REV	ECN#	DESCRIPTION OF REVISION	DRAW BY DATE	CHECK BY DATE	APPROVE BY DATE
A0		Mass Production	Vicky 08/11/10	Ray 08/11/10	Ray 08/11/10
A1	ECN-110103	Marked	Vicky 01/25/11	Ray 01/25/11	Ray 01/25/11



8	Cable	UL2464 24AVG9C+Al/Ny+D Color: Black, ØD=6.0mm	1	
7	Over Mold	PVC Color: Black	1	
6	Inner Mold	Thermoplastic Color: White	1	
5	Machine Screw	Stainless Finish: Non	2	
4	Gasket	EPDM Color: Black	2	
3	Rubber Pad	EPDM Color: Black	1	
2	D-SUB 5A 9P Female	Housing: Thermoplastic, Color: Black Contacts: Copper Alloy, Finish: Au Plated Shell: Cold Roll Steel, Finish: Ni Plated	1	
1	Housing	Thermoplastic Color: Black	1	
Item	Part Name	Material / Finish	Qty	

1	Brown
2	Blue
3	Orange
4	Green
5	Yellow
6	Gray
7	Violet
8	Red
9	Black
Shell	Drain

Wiring Diagram

Mating Part:
122-3036

TITLE						REV.			
D-Sub 5A 9P Cable End Female						A1			
	B	1:1	Vicky 08/11/10	Ray 08/11/10	Ray 08/11/10	XX ± 0.5 X.XX ± 0.2	X.XXX ± 0.05 ANGLES ± 1°	mm	1/1
THIRD ANGLE PROJECTION	SIZE	SCALE	DRAW / DATE	CHECK / DATE	APPROVE / DATE	TOLERANCES		UNIT	SHEET

RS Stock No
122-3039