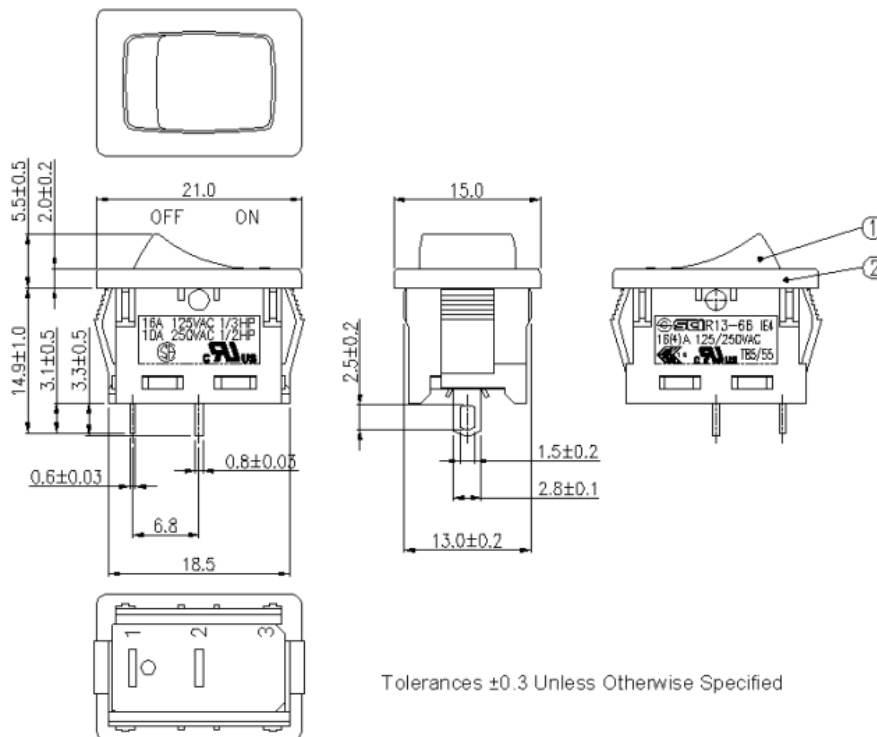


Datasheet

Red SPST Rocker Switch, On-Off, 16 A@ 125 V ac +85°C -20°C 13mm 19.8mm

RS Stock number [419-748](#)

Dimensions: (mm)



Specifications

Rating: 16A 125VAC 1/3HP
 10A 250VAC 1/2HP
 Contact Resistance: 50m ohm max
 Insulation Resistance: DC 500V 100M ohm min.
 Dielectric Strength: AC 1500V 1 min
 Circuit: 2P SPST on-off
 Operation Temperature: -25degC ~ 85degC

Materials

Frame: Black , Nylon-66 (94V-2)
 Actuator: Red, Nylon-66 (94V-2)
 Printed: White, hot stamping